
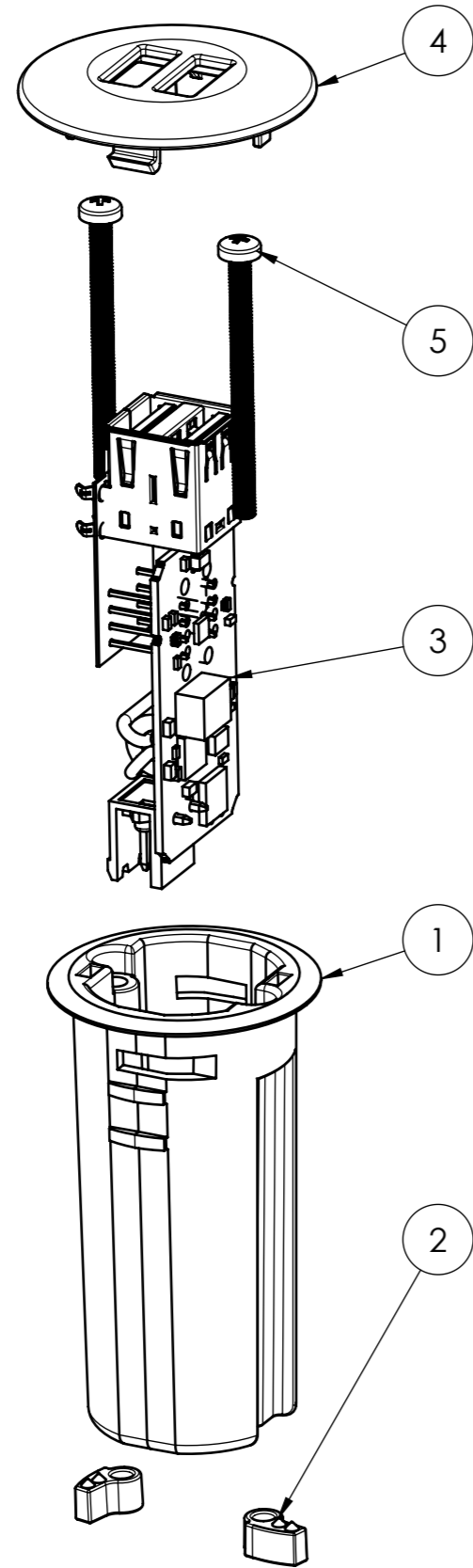


REV	DESCRIPTION	DATE	DRWN	APPV
4	UPDATED CUT OUT	13/06/2017	KLP	
3	CHANGED MOUNTING SCREW	26/05/2017	JC	
2	CHANGED MATERIAL TO FLAME RETARDANT PC	17/05/2017	JC	
1	ISSUED FOR SALES	21/04/2017	JC	
	REVISIONS			

<b>CUSTOMER SIGNATURE:</b>
<b>MATERIAL:</b> PC - FR (UL94-V0)
<b>FINISH:</b> TEXTURED
<b>COLOUR:</b> VARIOUS
THIS DRAWING & ASSOCIATED CAD FILES ARE ISSUED IN THE STRICTEST CONFIDENCE AND ARE ONLY TO BE USED IN THE COMMERCIAL INTERESTS OF CMS ELECTRACOM PTY LTD

<b>TOLERANCES UNLESS OTHERWISE STATED:</b> X ±0.5 X.X ±0.2 X.XX ±0.1 X.XXX ±0.05 ANG ±0.5°
DRAWN IN mm TO AS1100 DO NOT SCALE

 <b>CMS Electracom</b>		<small>COPYRIGHT © 2015</small>	
<b>TITLE:</b> 32mm USB ASSEMBLY			
<b>DRAWING:</b> LU19482		<b>REV:</b> 4	
SCALE 4:3		SHEET 1 OF 2	
			A3



ITEM NO.	PART NUMBER	QTY.
1	LU19483_32mm USB housing	1
2	LU19565_32mm USB LOCKING TABS	2
3	LU9440 FURNITURE USB PCB	1
4	LU19484_32mm USB Top Cover	1
5	SCREW M3 X 40 PPH TYPE B	2
6	LU20504_32mm under desk supporting bracket	1
7	LU20451_32mm underdesk mounting front plate	1

<b>CUSTOMER SIGNATURE:</b>
<b>MATERIAL:</b> PC - FR (UL94-V0)
<b>FINISH:</b> TEXTURED
<b>COLOUR:</b> VARIOUS
THIS DRAWING & ASSOCIATED CAD FILES ARE ISSUED IN THE STRICTEST CONFIDENCE AND ARE ONLY TO BE USED IN THE COMMERCIAL INTERESTS OF CMS ELECTRACOM PTY LTD

**TOLERANCES UNLESS OTHERWISE STATED:**

X ±0.5  
 X.X ±0.2  
 X.XX ±0.1  
 X.XXX ±0.05  
 ANG ±0.5°

DRAWN IN mm TO AS1100 DO NOT SCALE



**TITLE:**  
32mm USB ASSEMBLY

<b>DRAWING:</b> LU19482	<b>REV:</b> 3	<b>A3</b>
SCALE 1:1	SHEET 2 OF 2	