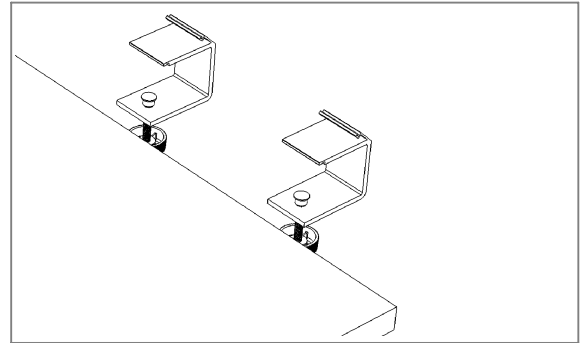


ATHENA RAIL with MDCA3

1. FIT AND POSITION CABLE CLAMPS

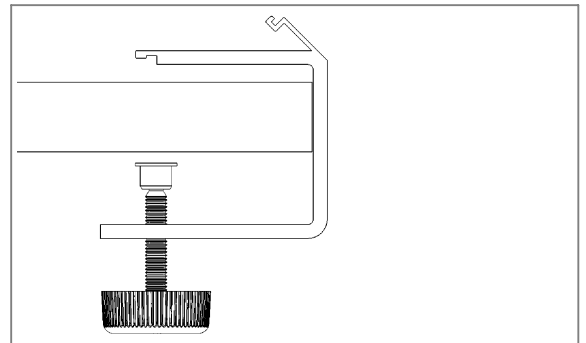
Make sure clamps sit within rail length and do not foul on cables



2. FIX THE CABLE CLAMP

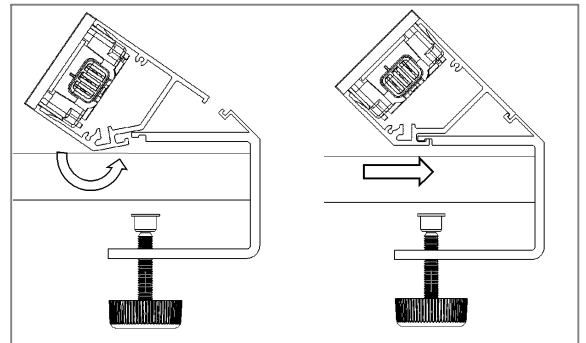
Position the clamps

Leave small gap between the clamp and the surface for the rail to slide in



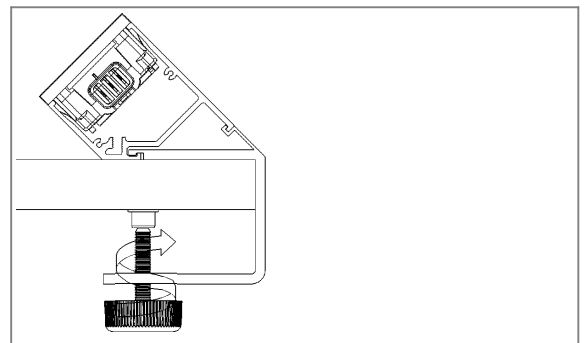
3. FIT THE RAIL

Position and slide the rail into clamp



4. FULLY TIGHTEN

Fully tighten the desk clamp



5. CONNECT TO POWER

Plug into power source