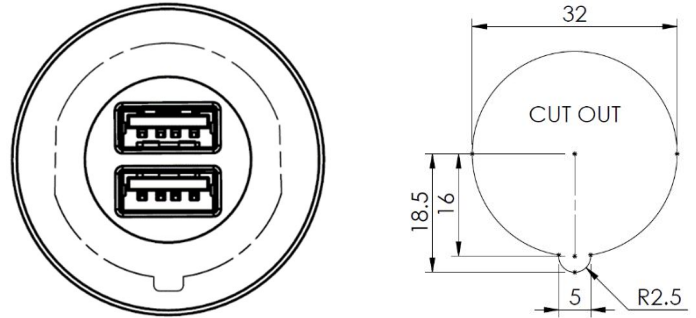


ATOM USB MODULE

Installation Instructions

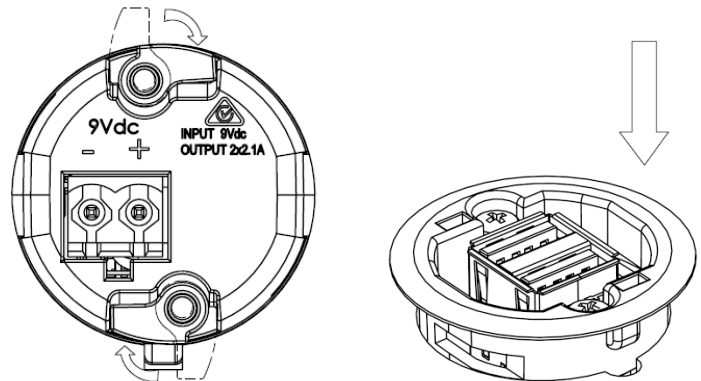
STEP 1 – CUT OUT

Determine desired orientation of product and cut hole into desktop or joinery. The notch will be parallel to the USB in horizontal position. REFER TO DRAWING.



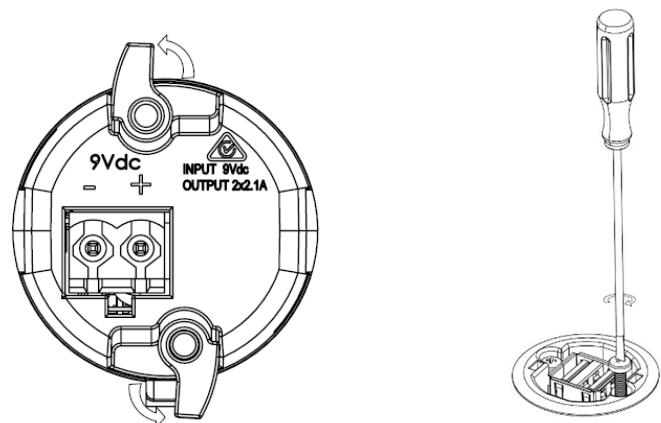
STEP 2 – INSERT HOUSING WITH PCB

Fold clamps into provision within housing. Align dimple on housing with notch in the cut out and insert housing into desk.



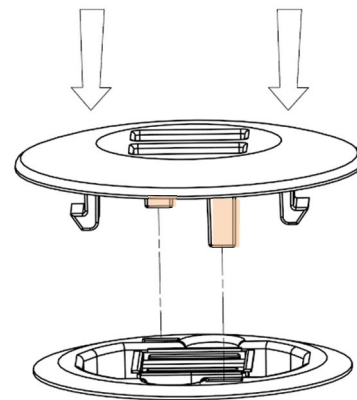
STEP 3 – TIGHTEN SCREWS

Screw through the plastic housing and clamps so that they rotate out of the housing. Tighten screws until the assembly clamps down and is secure. The clamps will grip into underside of desk. DO NOT OVER TIGHTEN - TIGHTEN BY HAND ONLY.



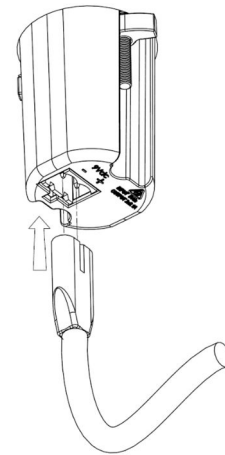
STEP 4 – CLIP ON COVER

Align guide and clips on the underside of the cover with provisions in housing. Secure the top cover and push down above where the clips are positioned.



STEP 5 – POWER DEVICE

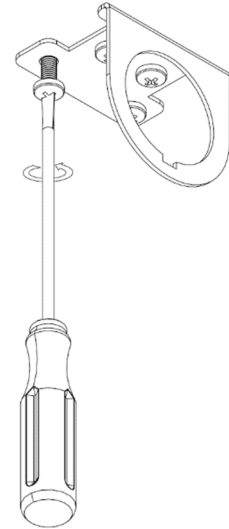
Plug in power supply to the underside of the assembly.



Mounting Bracket Instructions

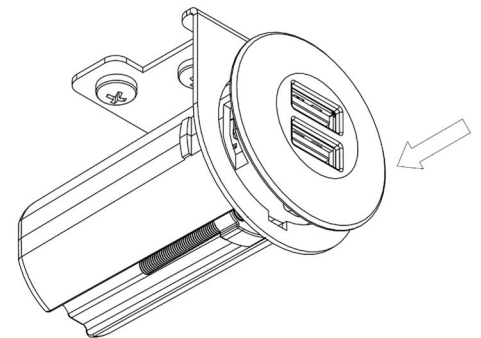
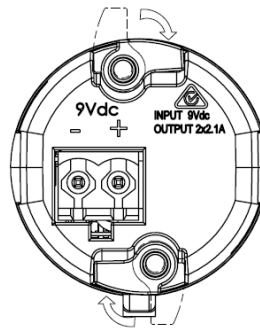
STEP 1 – ATTACH MOUNTING BRACKET

Attach mounting bracket to fixture/underside of desk using screws provided. Tighten screws until bracket is secure.



STEP 2 – MOUNT USB HOUSING

Fold clamps into provision in housing. Align dimple on housing with notch in the cut out of mounting bracket and insert housing.



STEP 3 – ATTACH FIXING BRACKET

Align rectangular holes in fixing bracket with notches on sides of housing. Slide bracket over housing so that the notches catch in the holes. Attach fixing bracket to fixture/underside of desk using screws provided.

