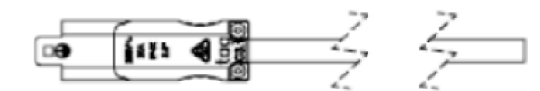


COLOUR VARIATIONS		
PART NUMBER	PLASTIC COMPONENTS	EXTRUSION
WT	WHITE	ANODISED SILVER
BK	BLACK	ANODISED SILVER
BK/BK	BLACK	POWDERCOATED BLACK MANNEX
WT/WT	WHITE	POWDERCOATED WHITE SATIN

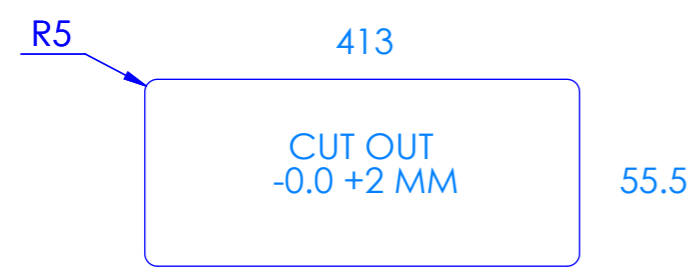
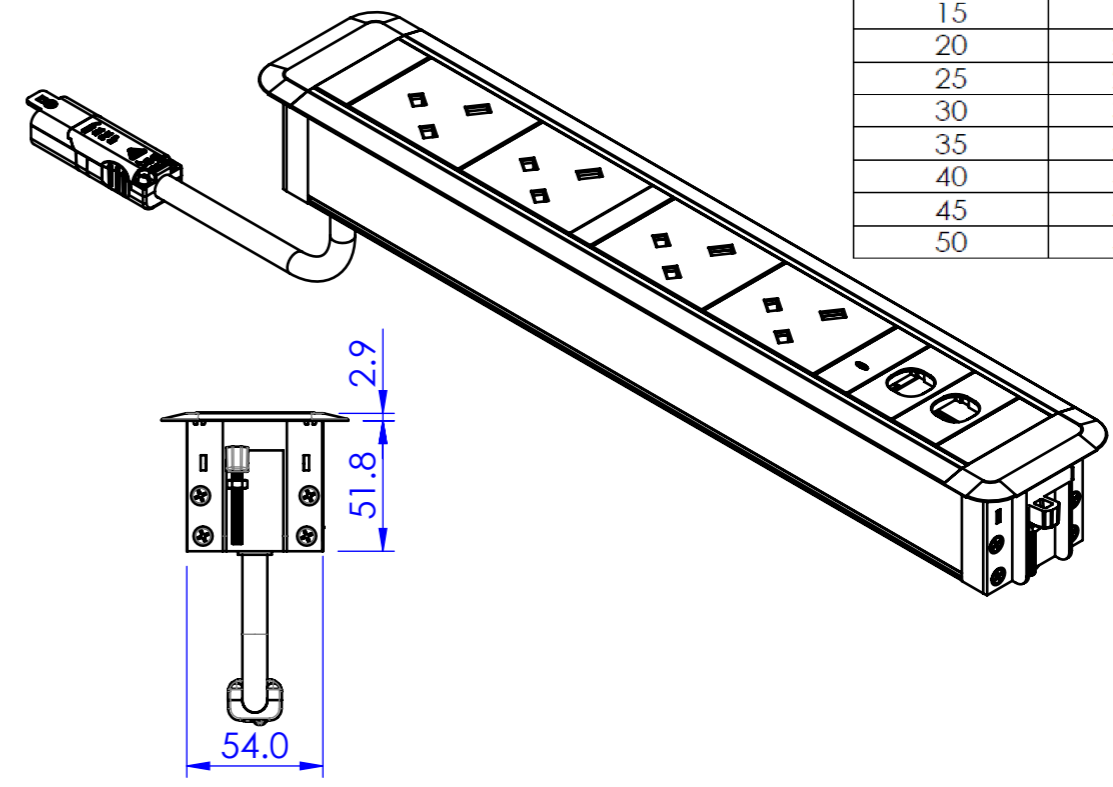
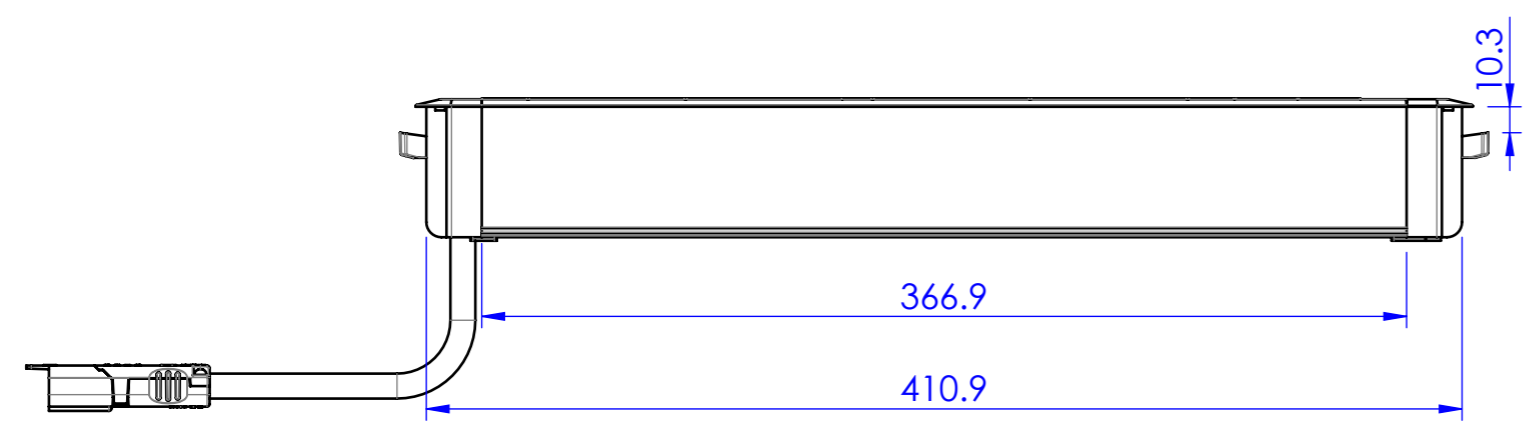
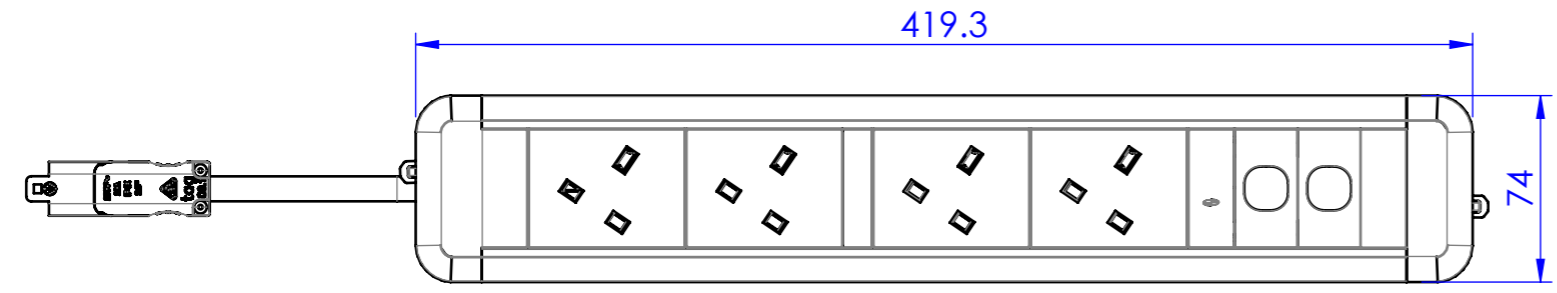
NOTE: SIRIM APPROVED



CABLE TYPE: 1.5MM
 DESCRIPTION: C-CONNECTOR LEAD
 COLOUR: WHITE OR BLACK
 (REFER TO PURCHASE ORDER)

LENGTH (mm):

xx	LENGTH (mm)
05	500
10	1000
15	1500
20	2000
25	2500
30	3000
35	3500
40	4000
45	4500
50	5000



PART NUMBER: NKCE0402CxxXX
 NOTE - xx - LENGTH - 05 / 10 / 15 / 20 / 25 / 30 / 35 / 40 / 45 / 50
 XX - COLOUR - WT / BK / (BK/BK) / (WT/WT)

CUSTOMER SIGNATURE:	TOLERANCES UNLESS OTHERWISE STATED: X ±0.5 X.X ±0.2 X.XX ±0.1 X.XXX ±0.05 ANG ±0.5°
MATERIAL: POLYCARBONATE / ALUMINIUM	
FINISH: FINE EDM / ANODISED (POWDER COAT)	
COLOUR: REFER TABLE	
THIS DRAWING & ASSOCIATED CAD FILES ARE ISSUED IN THE STRICTEST CONFIDENCE AND ARE ONLY TO BE USED IN THE COMMERCIAL INTERESTS OF CMS ELECTRACOM PTY LTD	
DRAWN IN mm TO AS1100 DO NOT SCALE	

CMS Electracom COPYRIGHT © 2015

TITLE:
CENTRA RAIL WITH
1 NK1804 + 2 SWQ18B1

DRAWING:
LU32846

REV:
3

SCALE: 1:3

SHEET: 1 OF 2

SIZE: A3

REV	DESCRIPTION	DATE	DRWN	APPV
3	BOM UPDATED	19/09/2019	KV	AP
2	RELEASED FOR PRODCUTION	18/09/2019	KV	AP
1	RELEASED FOR QUOTATION - NOT FOR PRODUCTION	13/09/2019	JB	AP
REVISIONS				