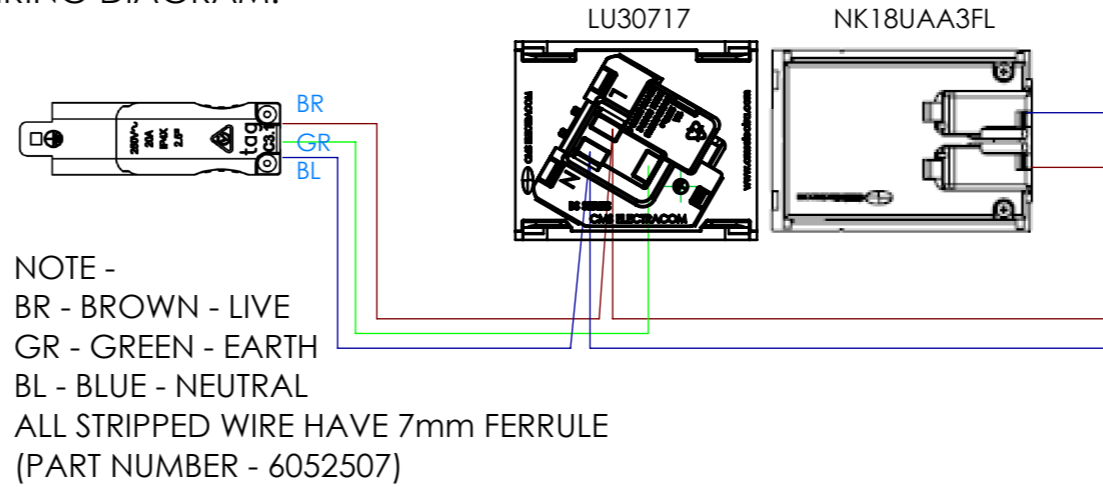


WIRING DIAGRAM:-

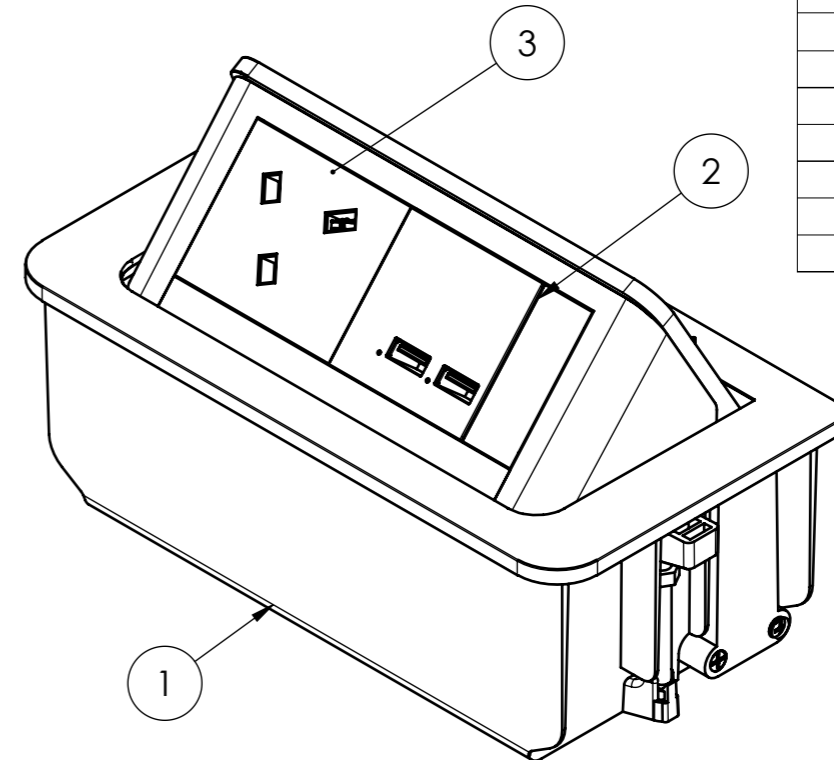
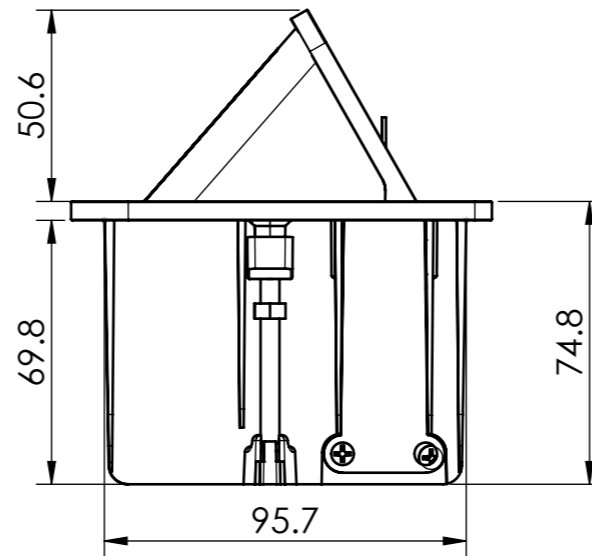


NOTE:



CABLE TYPE: 3 CORE x 1.5mm²
 DESCRIPTION: C-CONNECTOR LEAD
 COLOUR: WHITE OR BLACK
 (REFER TO PURCHASE ORDER)

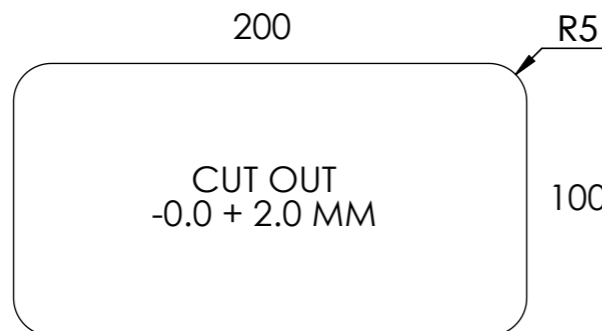
xx	LENGTH (mm)
05	500
10	1000
15	1500
20	2000
25	2500
30	3000
35	3500
40	4000
45	4500
50	5000



CMS Electracom
 cmselectra.com

Max rated output: 13A, 250V~, 50Hz
 BS1363, SS145, MS114

USB input (if fitted): 0.8 - 1.0A
 max output 1: 5V/3A
 max output 2: 5V/2.4A
 power supply is only suitable for IT equipment



PART NUMBER: NKPU01UAA3CxxXX

NOTE - xx - LENGTH - 05 / 10 / 15 / 20 / 25 / 30 / 35 / 40 / 45 / 50
 XX - COLOUR - WT / BK

ITEM NO.	PART NUMBER	DESCRIPTION	QTY.
1	-	POP-UP DESK BOX	1
2	NK18UAA3FL	30W AA USB CHARGER FL VERSION	1
3	LU30717	NON FUSED SINGLE UK ANGLED GPO WITH 4.5mm CUT	1
4	LEAD	REFER TO PO	1

CUSTOMER SIGNATURE:	TOLERANCES UNLESS OTHERWISE STATED: X ±0.5 X.X ±0.2 X.XX ±0.1 X.XXX ±0.05 ANG ±0.5°
MATERIAL: POLYCARBONATE	
FINISH: TEXTURED	
COLOUR: VARIOUS	
THIS DRAWING & ASSOCIATED CAD FILES ARE ISSUED IN THE STRICTEST CONFIDENCE AND ARE ONLY TO BE USED IN THE COMMERCIAL INTERESTS OF CMS ELECTRACOM PTY LTD	
DRAWN IN mm TO AS1100 DO NOT SCALE	

CMS Electracom COPYRIGHT © 2015

TITLE: POP UP WITH 1 UK GPO + 1 NK18UAA3FL	
DRAWING: LU38992	REV: 1
SCALE 1:2	SHEET 1 OF 1

1	RELEASED FOR PRODUCTION	1/09/2021	AB	AP
REV	DESCRIPTION	DATE	DRWN	APPV
REVISIONS				

A3