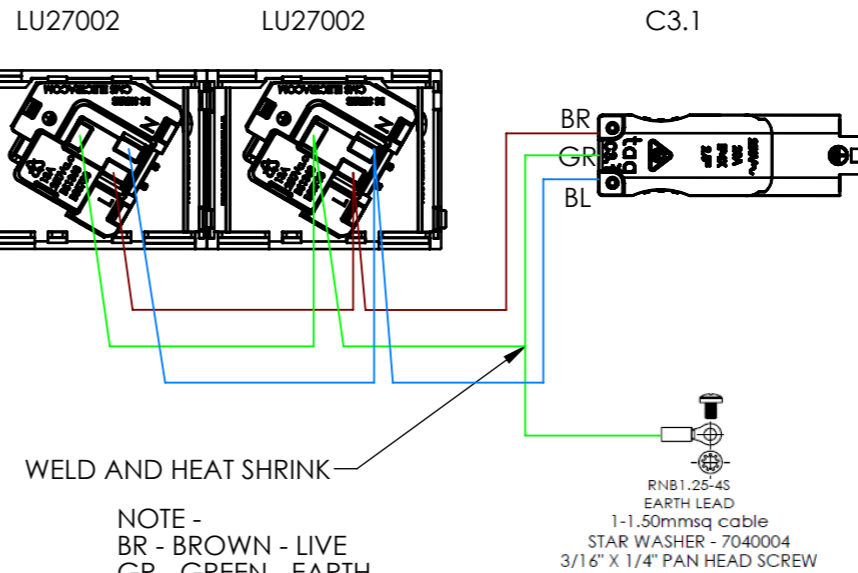


JOB NUMBER
PART NUMBER



CMS Electracom Maximum rated output
13A, 250V a.c, 50Hz
cmselectra.com BS1363, SS145, MS114

WIRING DIAGRAM



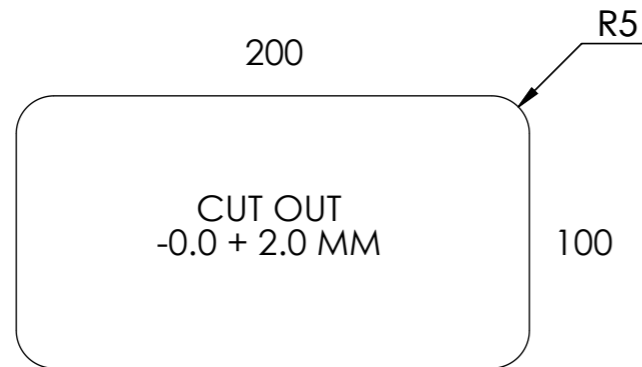
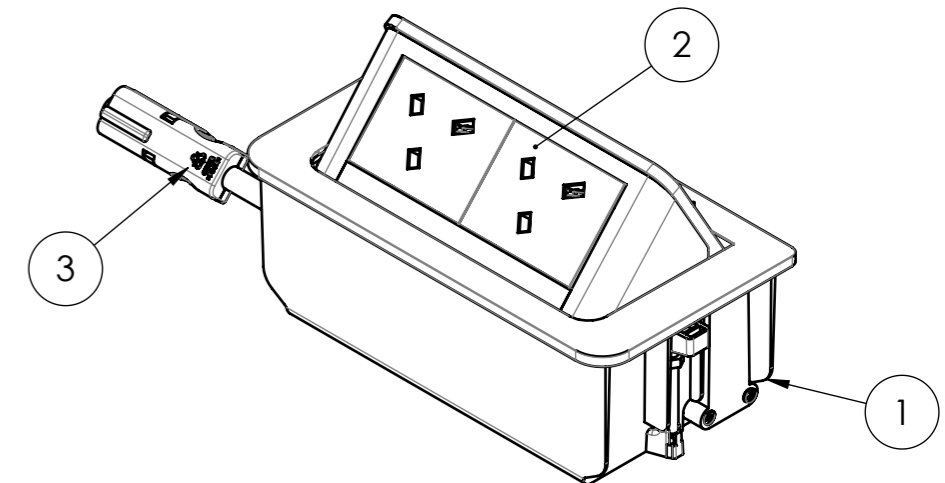
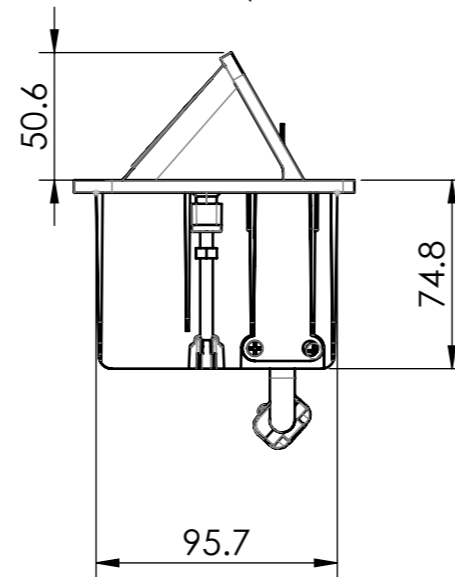
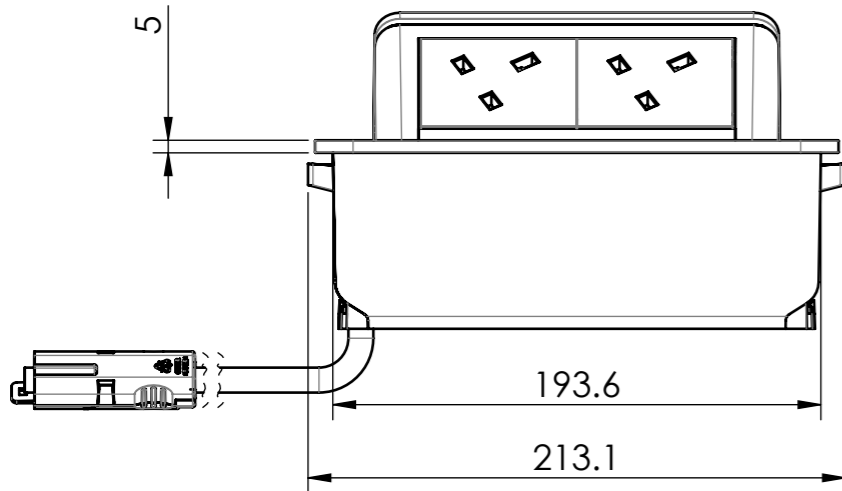
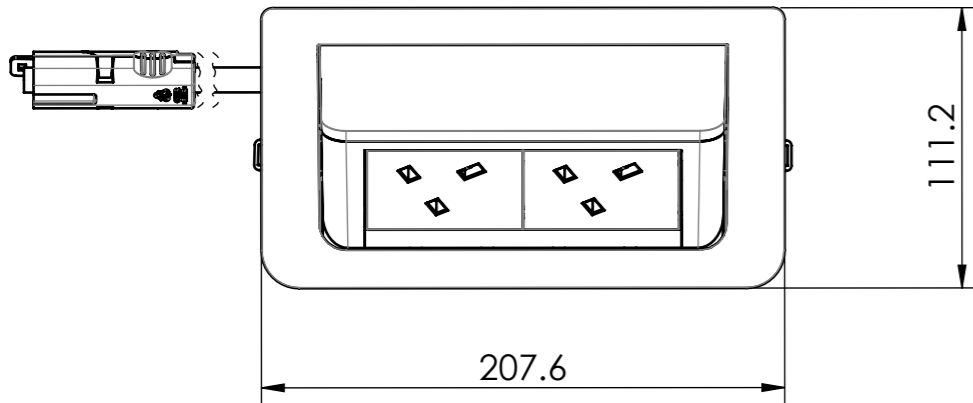
NOTE:



CABLE TYPE: 3 CORE x 1.5mm²
DESCRIPTION: C-CONNECTOR LEAD
COLOUR: WHITE OR BLACK
(REFER TO PURCHASE ORDER)

LENGTH (mm):	xx	LENGTH (mm)
	05	500
	10	1000
	15	1500
	20	2000
	25	2500
	30	3000
	35	3500
	40	4000
	45	4500
	50	5000

NOTE -
BR - BROWN - LIVE
GR - GREEN - EARTH
BL - BLUE - NEUTRAL
ALL STRIPPED WIRE
HAVE 7mm FERRULE
(PART NUMBER - 6052507)



PART NUMBER: NKP02CxxXX

NOTE - xx - LENGTH - 05 / 10 / 15 / 20 / 25 / 30 / 35 / 40 / 45 / 50
XX - COLOUR - WT / BK

ITEM NO.	PART NUMBER	DESCRIPTION	QTY.
1	-	Pop-up desk box	1
2	LU27002	NON FUSED SINGLE UK ANGLED GPO	2
3	LEAD	REFER TO NOTE	1

CUSTOMER SIGNATURE:	TOLERANCES UNLESS OTHERWISE STATED: X ±0.5 X.X ±0.2 X.XX ±0.1 X.XXX ±0.05 ANG ±0.5°
MATERIAL: POLYCARBONATE	
FINISH: POLISHED / FINE EDM	
COLOUR: WHITE / BLACK	

CMS Electracom COPYRIGHT © 2015

TITLE:
POP UP WITH 2 GPO

DRAWING: **LU44115** REV: **1** **A3**
SCALE 1:2 SHEET 1 OF 1

THIS DRAWING & ASSOCIATED CAD FILES ARE ISSUED IN THE STRICTEST CONFIDENCE AND ARE ONLY TO BE USED IN THE COMMERCIAL INTERESTS OF CMS ELECTRACOM PTY LTD

DRAWN IN mm TO AS1100 DO NOT SCALE

1	RELEASED FOR PRODUCTION	22/09/2023	GC	JB
REV	DESCRIPTION	DATE	DRWN	APPV
REVISIONS				