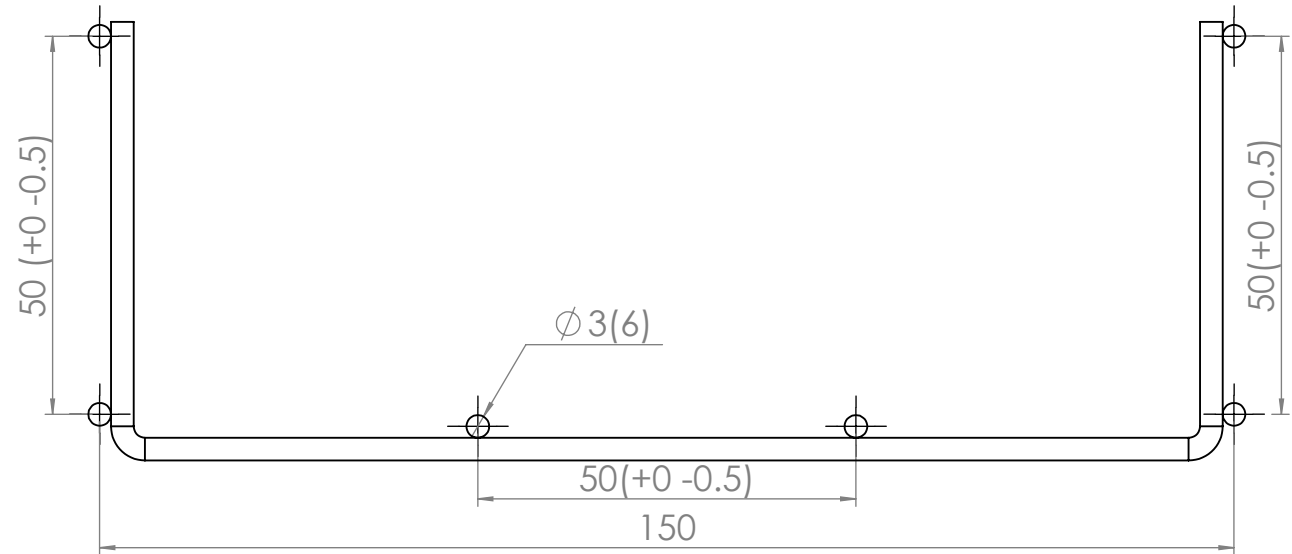
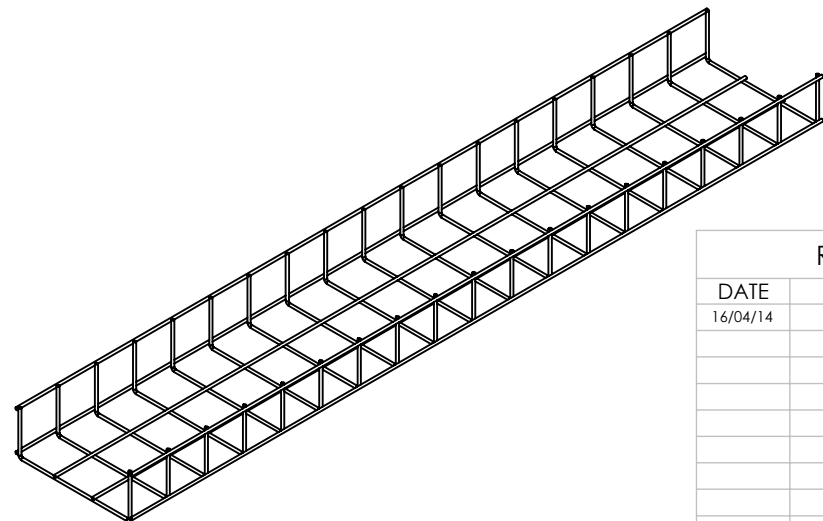

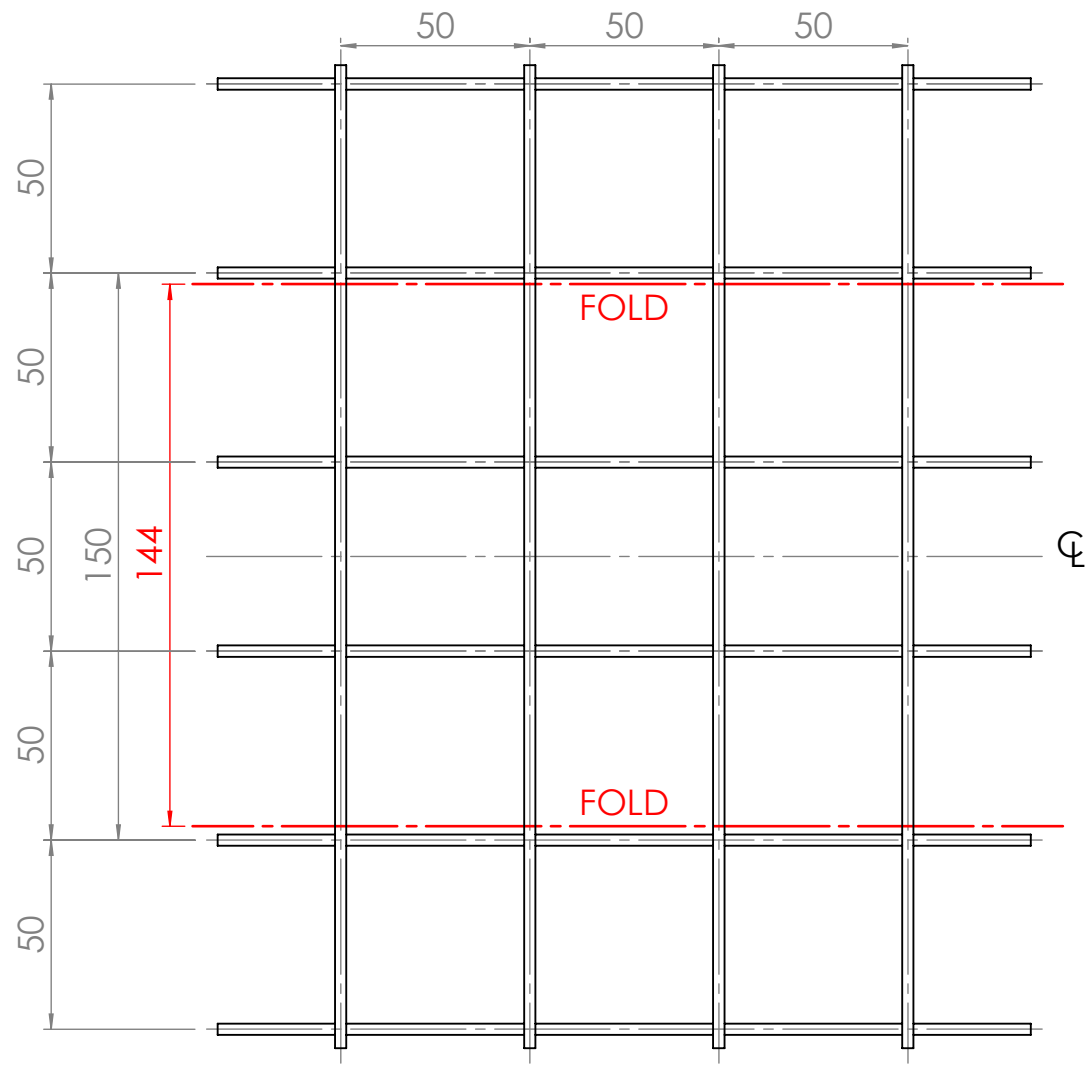


**LENGTH VARIATIONS**

X(mm)	P/N (1 layer)	P/N (2 layers)
650	WGS10650	WGS20650
950	WGS10950	WGS20950
1250	WGS11250	WGS21250
1550	WGS11550	WGS21550
1750	WGS11750	WGS21750
2050	WGS12050	WGS22050



REVISION HISTORY		DO NOT SCALE DRAWING		REVISION 1	
DATE	MODIFICATIONS				
16/04/14	ISSUED FOR MANUFACTURING				
<small>DO NOT SCALE DRAWING UNLESS OTHERWISE SPECIFIED: DIMENSIONS ARE IN MILLIMETERS TOLERANCES 0.00 ±0.02 ANGULAR ± 0.5° 0.0 ±0.1 0 ±0.5 DIMENSIONS IN AN OBROUND ARE CRITICAL &amp; MUST BE CHECKED</small>		<small>THE MATERIAL CONTAINED HEREIN IS THE SOLE PROPERTY OF CMS ELECTRACOM. ANY UNAUTHORIZED REPRODUCTIONS, MODIFICATIONS AND / OR DISTRIBUTION IS STRICTLY PROHIBITED.</small>			
		TITLE:		WGS cable basket	
		NAME		DATE	
		LUCKY		16/04/14	
		MATERIAL:		3.0mm wire steel	
		FINISH:		Powder coat silver	
		FILE ON SHARED\CAD:		H:\Melbourne\CAD\Current Production Drawings	
		FILE ON NAS:		Z:\Work files\Wire basket\WG 150mm	
		DWG NO.		LU-6474	
		PART NO.		X	
		SCALE		NTS	
		CHECKED BY			
		CUSTOMER APPROVAL		A4	
		SHEET		1 OF 2	



REVISION HISTORY	
DATE	MODIFICATIONS
16/04/14	ISSUED FOR MANUFACTURING

DO NOT SCALE DRAWING  
 UNLESS OTHERWISE SPECIFIED:  
 DIMENSIONS ARE IN MILLIMETERS


TOLERANCES  
 0.00 ±0.02 ANGULAR ± 0.5°  
 0.0 ±0.1  
 0 ±0.5

DIMENSIONS IN AN OBOUNDR ARE CRITICAL & MUST BE CHECKED

THE MATERIAL CONTAINED HEREIN IS THE SOLE PROPERTY OF CMS ELECTRACOM. ANY UNAUTHORIZED REPRODUCTIONS, MODIFICATIONS AND / OR DISTRIBUTION IS STRICTLY PROHIBITED.

NAME	DATE
LUCKY	16/04/14

MATERIAL: 3,0mm wire steel  
 FINISH: Powder coat silver  
 FILE ON SHARED\CAD:  
 H:\Melbourne\CAD\Current Production Drawings  
 FILE ON NAS:  
 Z:\Work files\Wire basket\WG-150mm

DO NOT SCALE DRAWING		REVISION	1
		TITLE:	
		WGS cable basket	
DWG NO.	LU-6474	CHECKED BY	A4
PART NO.	X	CUSTOMER APPROVAL	
SCALE	NTS	SHEET 2 OF 2	