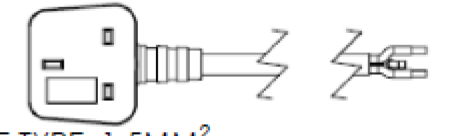
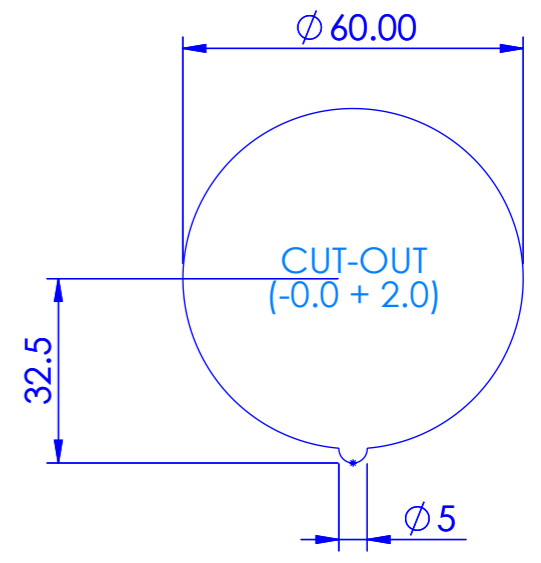
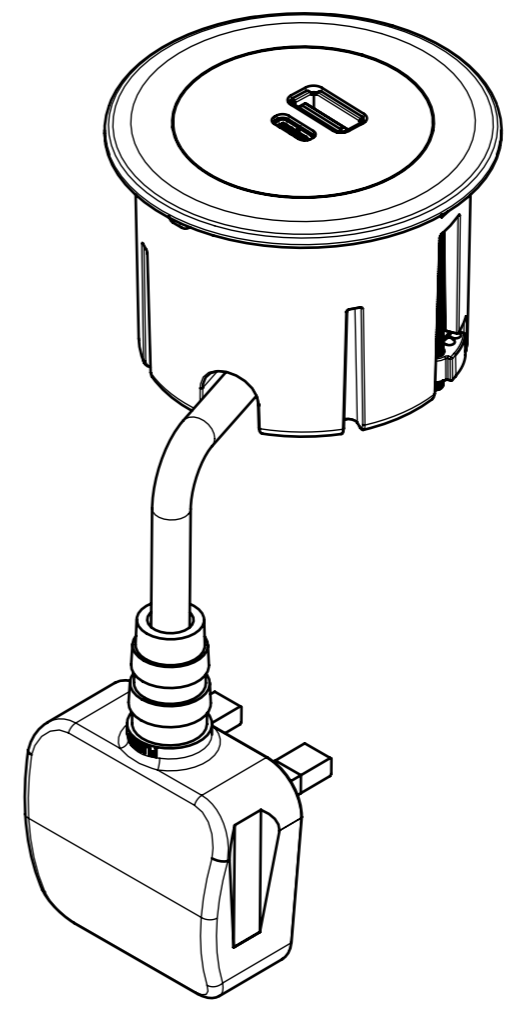
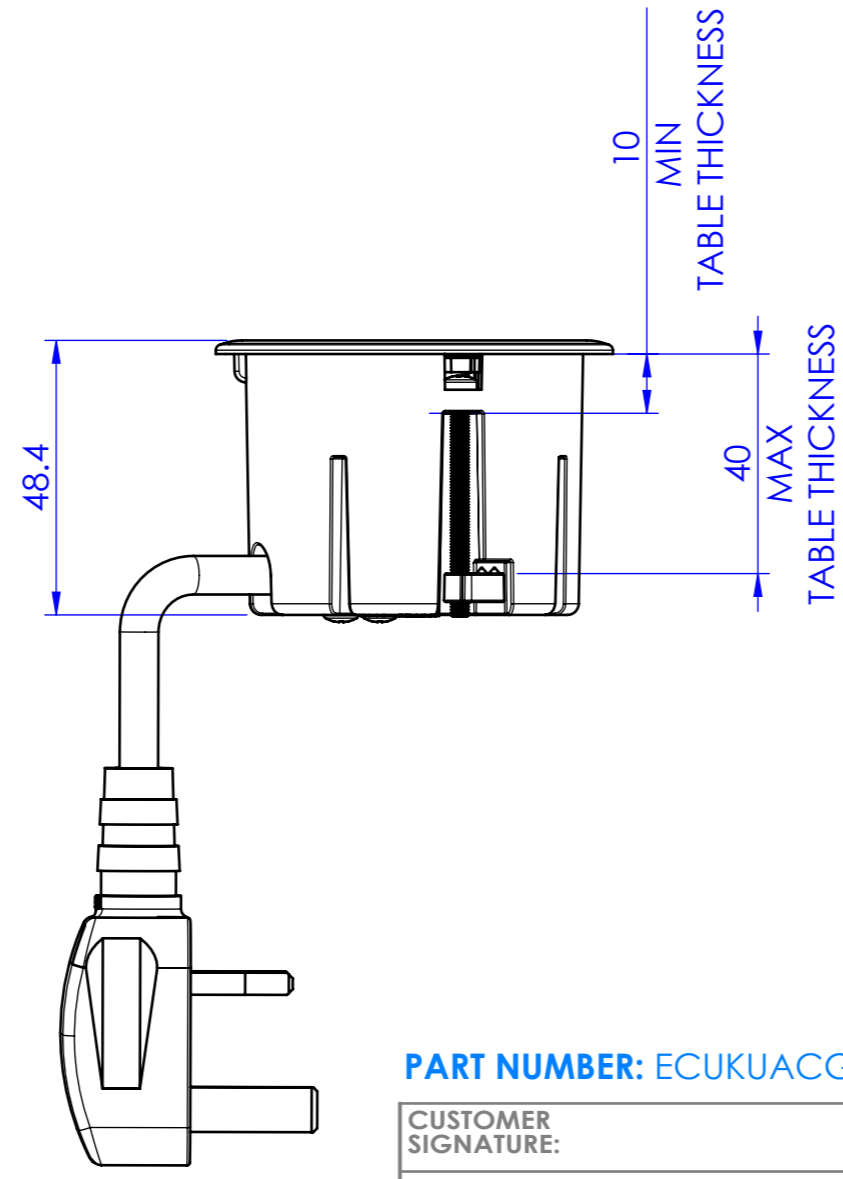
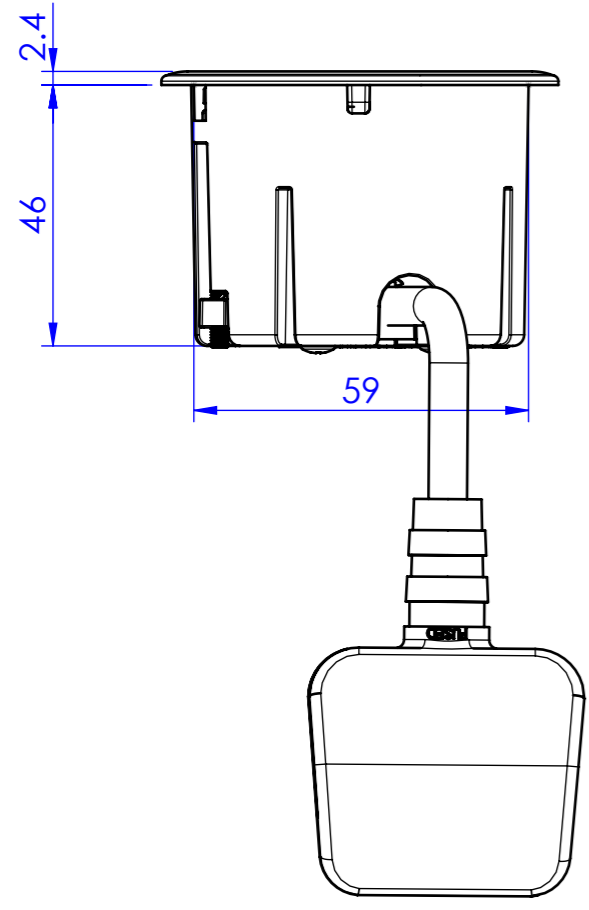
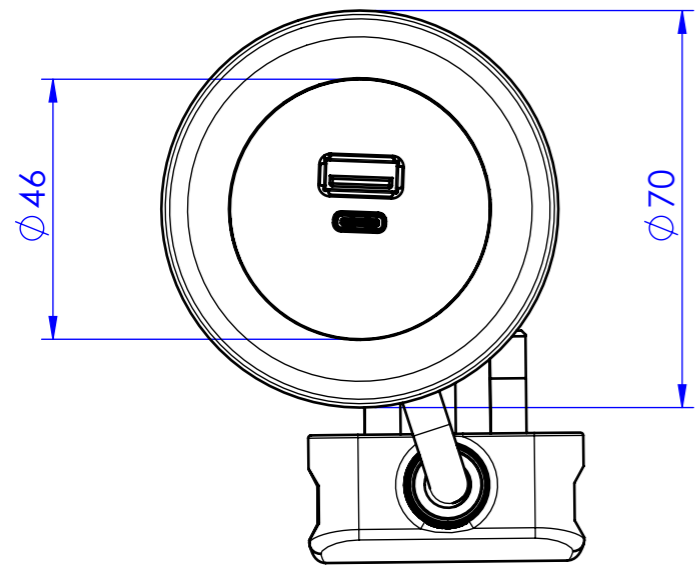



NOTE:



CABLE TYPE: 1.5MM²
 PART NUMBER: 674615
 DESCRIPTION: BRITISH PLUG LEAD
 LENGTH: 1500MM



PART NUMBER: ECUKUACG15

CUSTOMER SIGNATURE:		TOLERANCES UNLESS OTHERWISE STATED: X ±0.5 X.X ±0.2 X.XX ±0.1 X.XXX ±0.05 ANG ±0.5°	 CMS Electracom		COPYRIGHT © 2015 ECLIPSE WITH USB AND 3 PIN PLUG	
MATERIAL:						
FINISH:			DRAWING:		REV:	
COLOUR:			LU27415		1	
P.C POLISHED VARIOUS		SCALE 3:4		SHEET 1 OF 2		
THIS DRAWING & ASSOCIATED CAD FILES ARE ISSUED IN THE STRICTEST CONFIDENCE AND ARE ONLY TO BE USED IN THE COMMERCIAL INTERESTS OF CMS ELECTRACOM PTY LTD		DRAWN IN mm TO AS1100 DO NOT SCALE		A3		

1	RELEASED FOR QUOTATION NOT FOR PRODUCTION	13/06/2018	JC	AP
REV	DESCRIPTION	DATE	DRWN	APPV
REVISIONS				