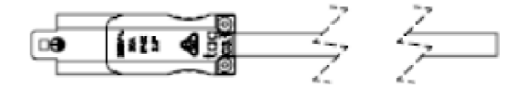
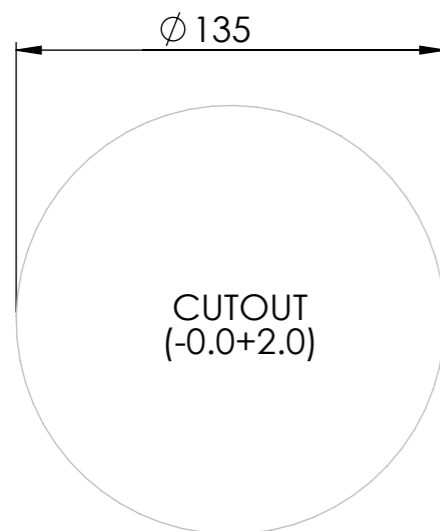
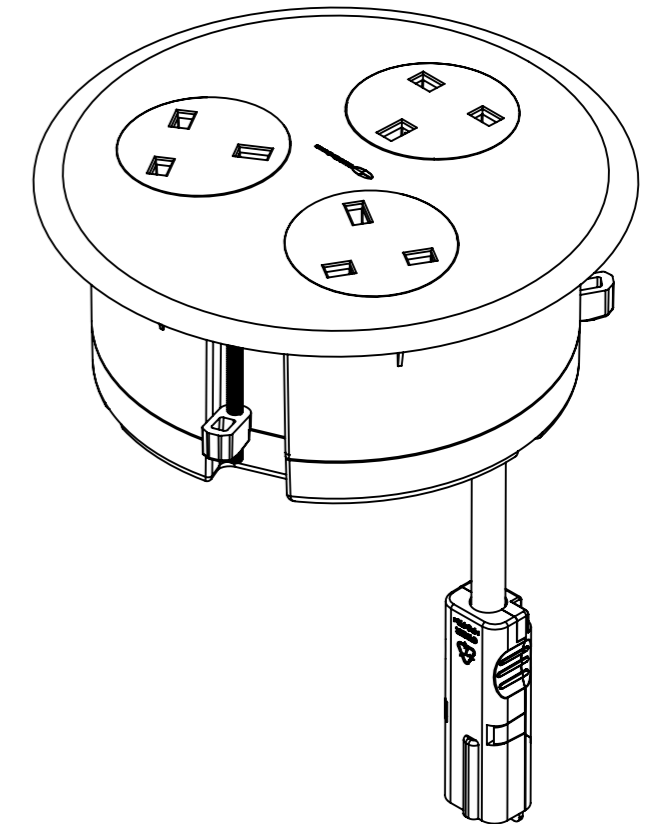
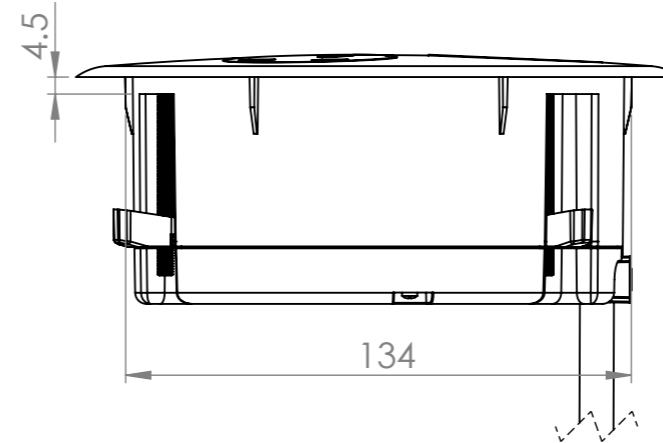
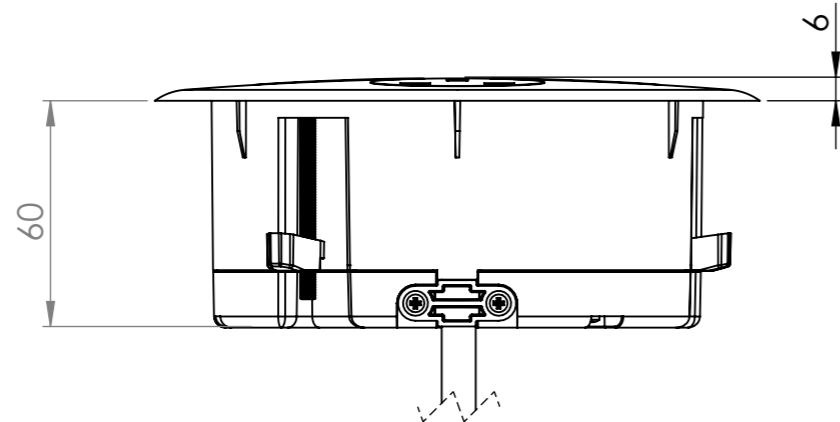
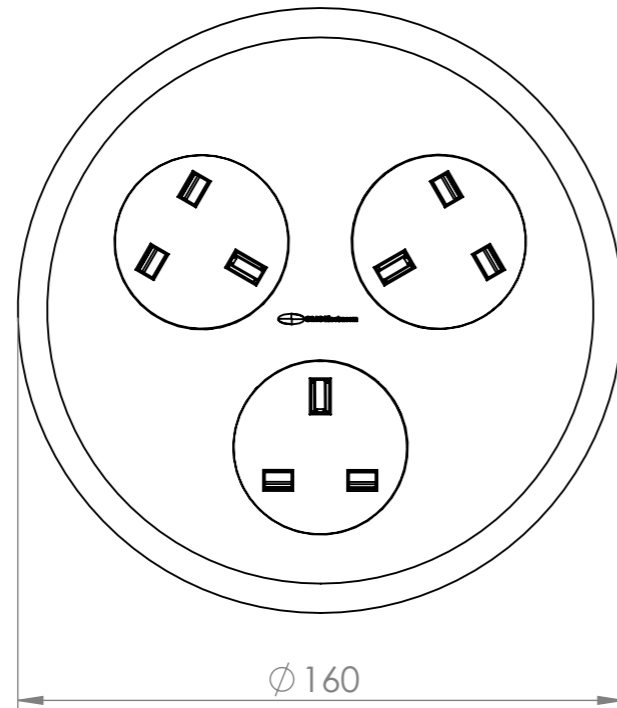


NOTE:



CABLE TYPE: 3 CORE x 1.5mm<sup>2</sup>  
 DESCRIPTION: C-CONNECTOR LEAD  
 COLOUR: WHITE OR BLACK  
 (REFER TO PURCHASE ORDER)  
 LENGTH (mm):


xx	LENGTH (mm)
05	500
10	1000
15	1500
20	2000
25	2500
30	3000
35	3500
40	4000
45	4500
50	5000



**PART NUMBER:** BLBSN03CxxXX

NOTE - xx - LENGTH - 05 / 10 / 15 / 20 / 25 / 30 / 35 / 40 / 45 / 50  
 XX - COLOUR - WHITE OR BLACK

REV	DESCRIPTION	DATE	DRWN	APPV
2	RELEASED FOR PRODUCTION	14/02/2019	JC	RG
1	RELEASED FOR QUOTATION - NOT FOR PRODUCTION	14/02/2019	JC	RG
REVISIONS				

<b>CUSTOMER SIGNATURE:</b>	<b>TOLERANCES UNLESS OTHERWISE STATED:</b>  X ±0.5 X.X ±0.2 X.XX ±0.1 X.XXX ±0.05 ANG ±0.5°	 <b>CMS Electracom</b>		COPYRIGHT © 2015	
<b>MATERIAL:</b>					
<b>FINISH:</b>		DRAWING: <b>LU29603</b>	REV: <b>2</b>	<b>A3</b>	
<b>COLOUR:</b>					
THIS DRAWING & ASSOCIATED CAD FILES ARE ISSUED IN THE STRICTEST CONFIDENCE AND ARE ONLY TO BE USED IN THE COMMERCIAL INTERESTS OF CMS ELECTRACOM PTY LTD		DRAWN IN mm TO AS1100 DO NOT SCALE			