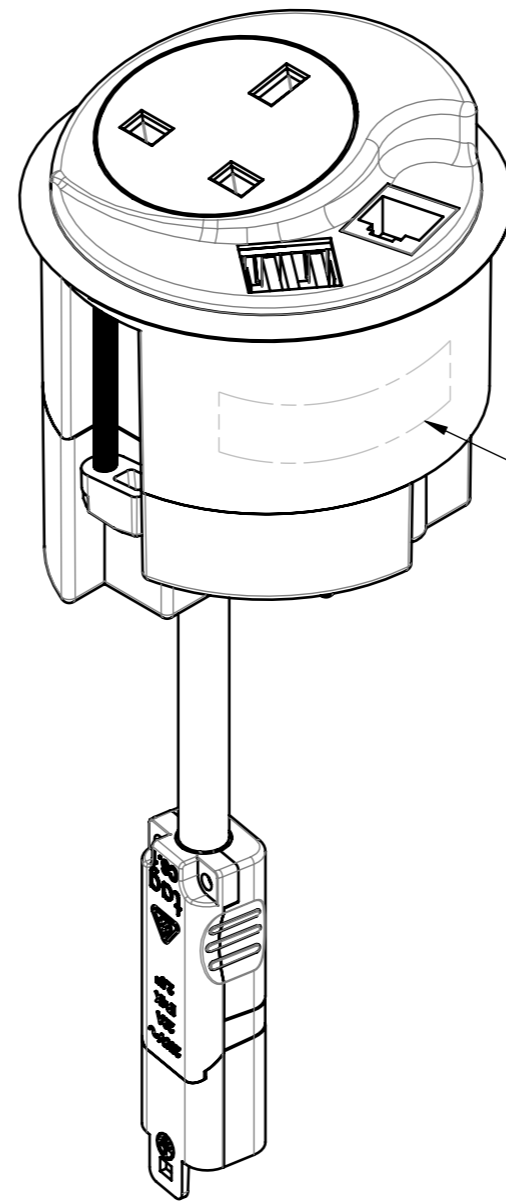


NOTE:

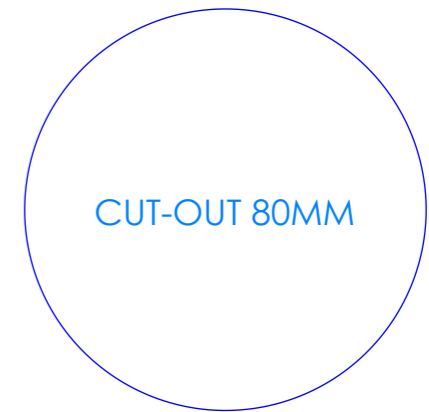


CABLE TYPE: 3 CORE x 1.5mm<sup>2</sup>  
 DESCRIPTION: C-CONNECTOR LEAD  
 COLOUR: WHITE OR BLACK  
 (REFER TO PURCHASE ORDER)

LENGTH (mm):	xx	LENGTH (mm)
	05	500
	10	1000
	15	1500
	20	2000
	25	2500
	30	3000
	35	3500
	40	4000
	45	4500
	50	5000




POSITION OF LABEL



**PART NUMBER:** KBSNU01UKCxxXX

NOTE - xx - LENGTH - 05 / 10 / 15 / 20 / 25 / 30 / 35 / 40 / 45 / 50  
 XX - COLOUR - WHITE OR BLACK

<b>CUSTOMER SIGNATURE:</b>	<b>TOLERANCES UNLESS OTHERWISE STATED:</b>  X ±0.5 X.X ±0.2 X.XX ±0.1 X.XXX ±0.05 ANG ±0.5°	 <b>CMS Electracom</b>		COPYRIGHT © 2015		
<b>MATERIAL:</b>		P.C	<b>TITLE:</b> KONEXUS UK NON FUSED + USB + DATA			
<b>FINISH:</b>		TEXTURED	<b>DRAWING:</b> LU30043			
<b>COLOUR:</b>		WHITE OR BLACK	<b>REV:</b> 1		<b>A3</b>	
THIS DRAWING & ASSOCIATED CAD FILES ARE ISSUED IN THE STRICTEST CONFIDENCE AND ARE ONLY TO BE USED IN THE COMMERCIAL INTERESTS OF CMS ELECTRACOM PTY LTD		DRAWN IN mm TO AS1100 DO NOT SCALE		SCALE 3:4		
REVISIONS		SHEET 1 OF 2				

01	RELEASED FOR PRODUCTION	18/03/2019	KV	RG
REV	DESCRIPTION	DATE	DRWN	APPV