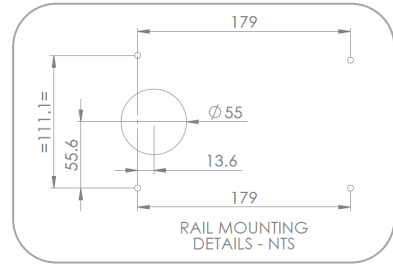


# ODYSSEY RAIL

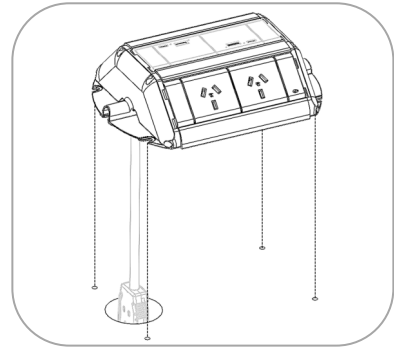
## 1 CUT OUT

Determine desired orientation of product and cut hole for cable to pass through. **ENSURE YOU REFER TO MOUNTING DIMENSIONS ON DRAWING AS DIMENSIONS WILL VARY DEPENDING ON YOUR RAIL CONFIGURATION.**



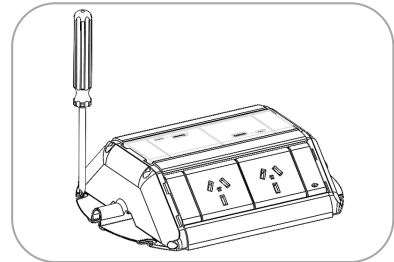
## 2 FIXING PRODUCT IN PLACE

Align the screw points on the rail with the holes on the table top as you place the rail into position. The lead will pass through the larger hole as depicted.



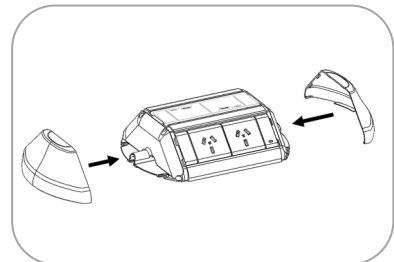
## 3 ADD SCREWS

Screw the rail into position (4 screws total, one in each corner).



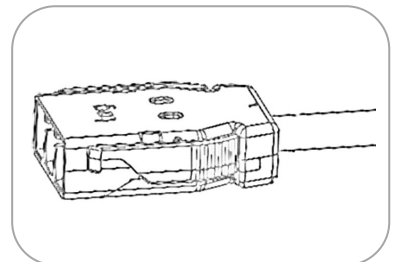
## 4 CLIP ON COVER

Align and clip on the end cover caps, pressing in above where the clips are located.



## 5 CONNECT TO POWER

Plug into power source



Available Power Outlets

