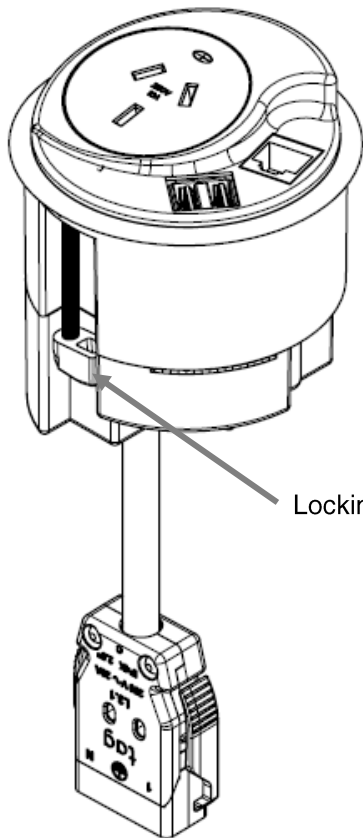


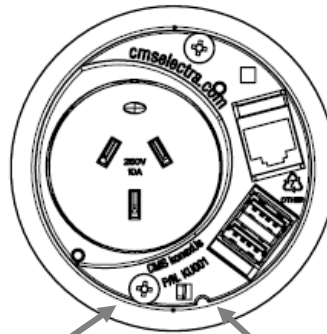
KONEXUS INDESK APPLICATION



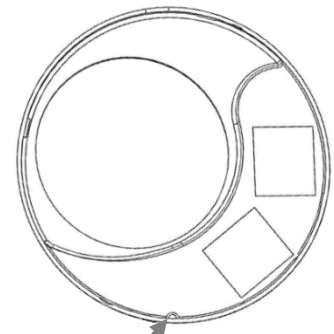
Locking paddles

KonexUS base

KonexUS top cover



Align Dimples



STEP 1:

Insert KonexUS unit into 80mm dia. Cut-out in the desk top, connecting all data requirements and softwiring power lead. Tighten screws that operate the locking paddles, tighten until secure.

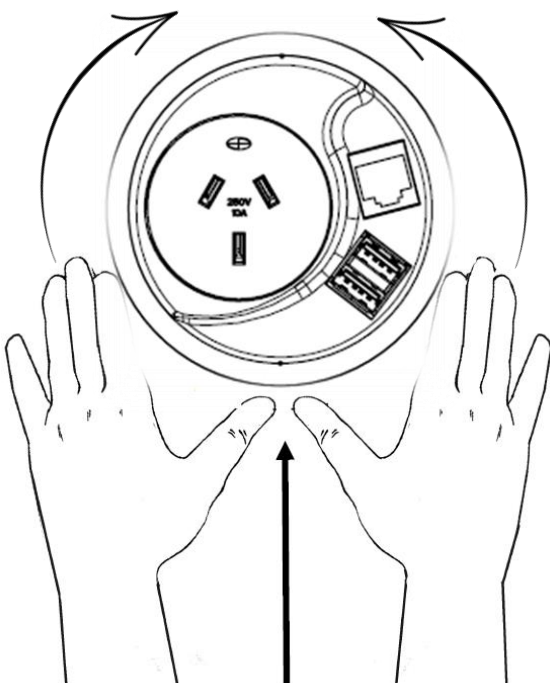
DO NOT OVER TIGHTEN

STEP 2:

Line up the dimple on the top over with the corresponding dimple on the KonexUS base unit.

STEP 3:

Secure top cover by pushing down over dimple area at the front, while pushing down roll thumbs around the cover to secure in place. Only secure cover when position of the unit is correct.



Available Power Outlets



For more information go to:

www.cmselectra.com