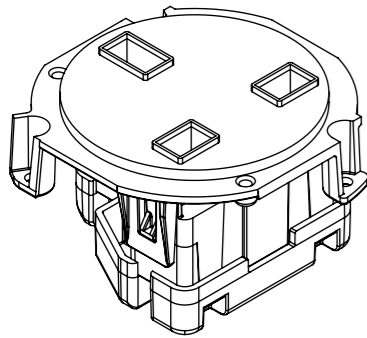
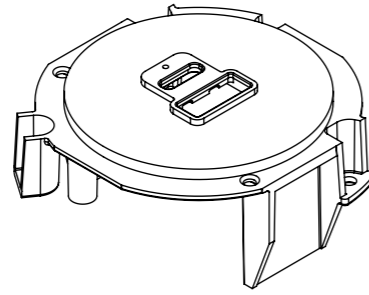


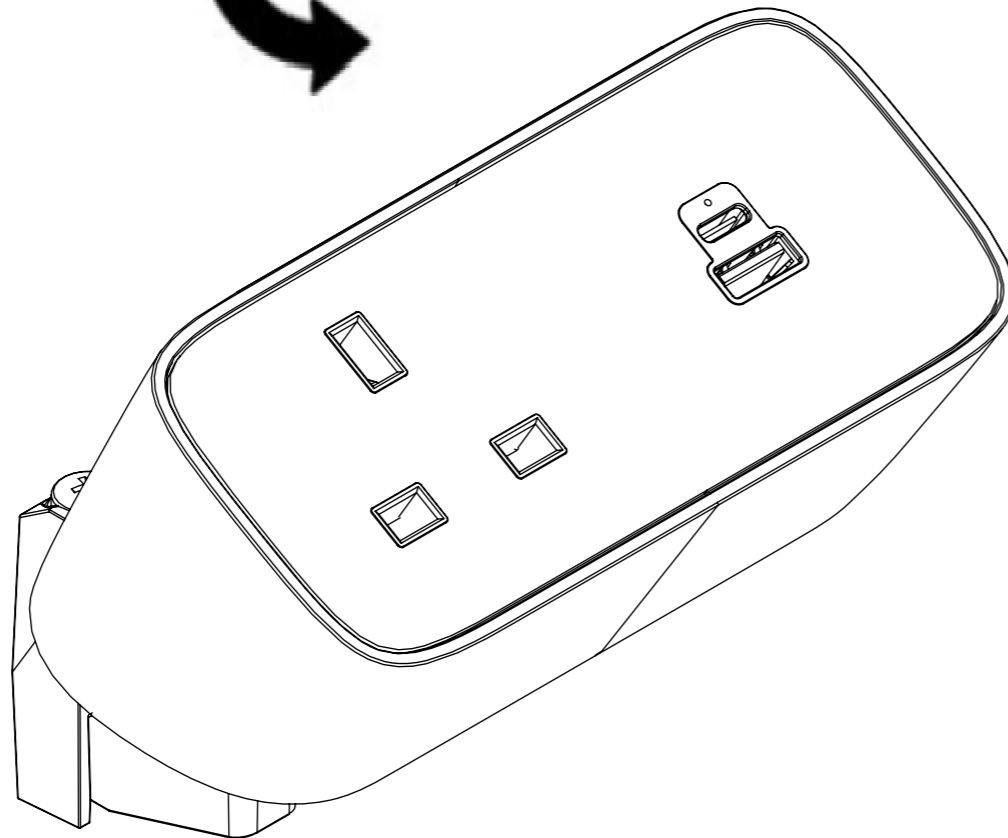
30W USB AC MODUAL = U

USE SC_CMS131_11
WHEN INSTALLING USB

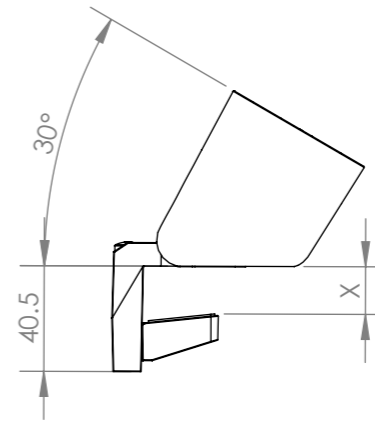


UK NON-FUSED OUTLET = C

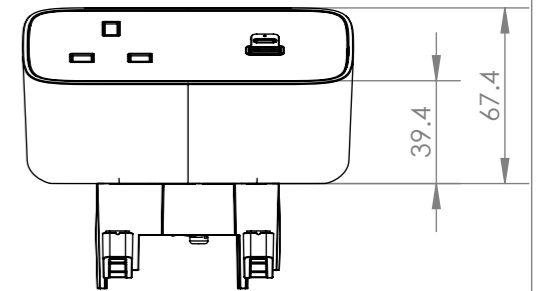
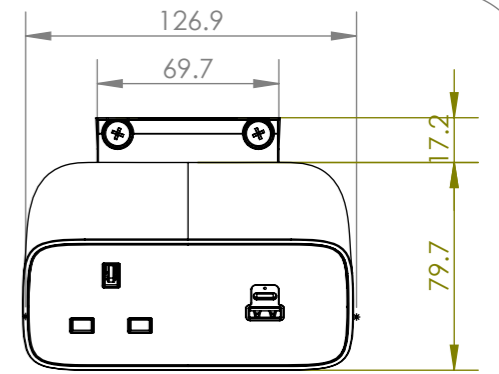
**FACTORY ONLY INSERTABLE MODULES
REFER PAGE 2 FOR MODULE
CONFIGURATION**



ABOVE DESK CLAMP

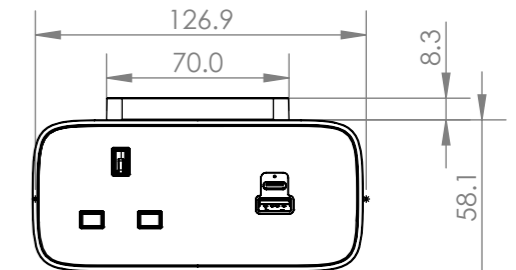
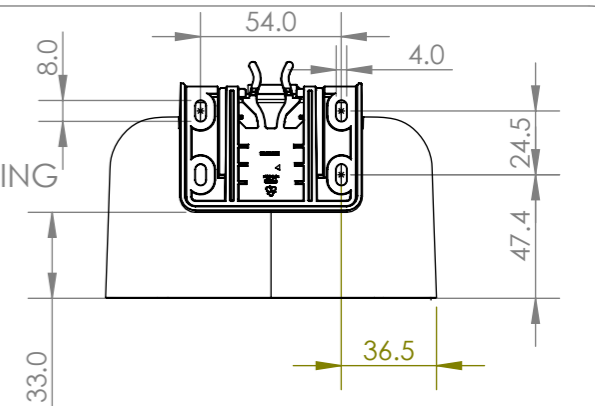
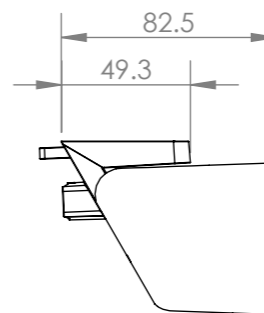


MIN TABLE THICKNESS: 20MM
MAX TABLE THICKNESS 32MM



UNDER DESK CLAMP

COMPATIBLE MOUNTING
SCREWS: 4G, 6G



REV	DESCRIPTION	DATE	DRWN	APPV
2	SCREW NOTE ADDED FOR USE OF TYPE 25 OR TYPE B	29/7/2022	JB	RG
1	RELEASED FOR PRODUCTION	21/6/2022	JB	RG
REVISIONS				

CUSTOMER SIGNATURE:	
MATERIAL:	PC FR
FINISH:	FINE EDM / POLISHED / FABRIC
COLOUR:	REFER TABLE
THIS DRAWING & ASSOCIATED CAD FILES ARE ISSUED IN THE STRICTEST CONFIDENCE AND ARE ONLY TO BE USED IN THE COMMERCIAL INTERESTS OF CMS ELECTRACOM PTY LTD	

TOLERANCES UNLESS OTHERWISE STATED:

- X ±0.5
- X.X ±0.2
- X.XX ±0.1
- X.XXX ±0.05
- ANG ±0.5°

DRAWN IN mm TO AS1100 DO NOT SCALE

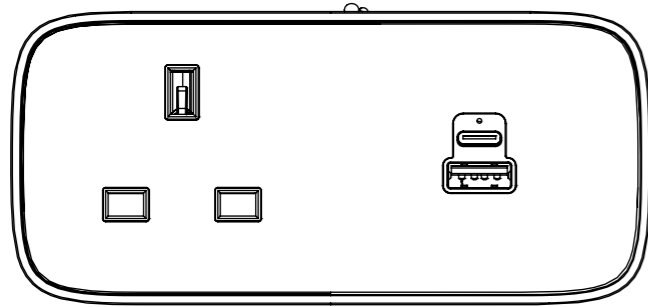
CMS Electracom COPYRIGHT © 2020

TITLE: VIVA DUO XL UK NON-FUSED CONFIGURATIONS

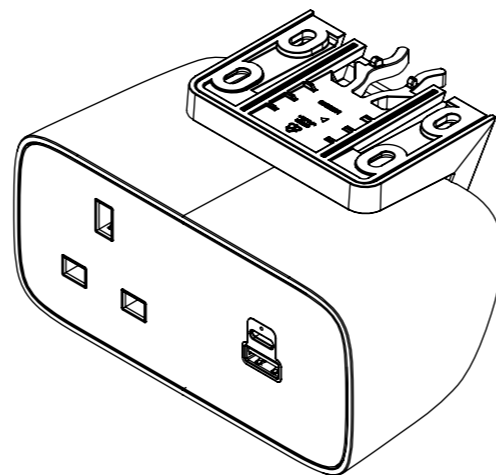
DRAWING: LU39681

SCALE: 1:2

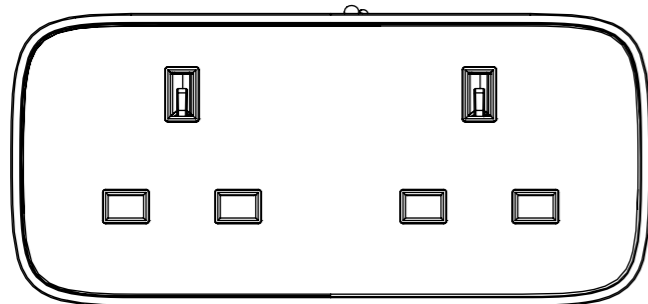
REV: 2	A3
SHEET 1 OF 4	



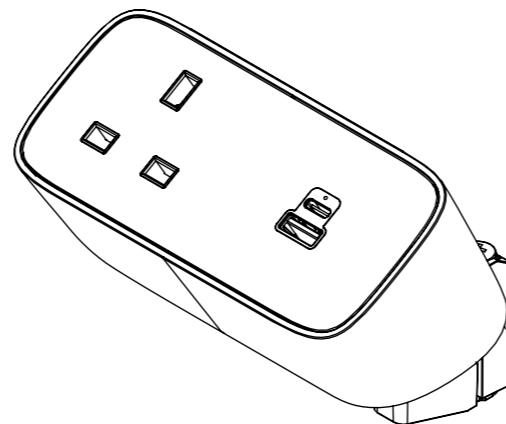
VD*CUXxxXX



Z = UNDER DESK CLAMP

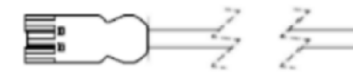


VD*CCXxxXX



S= ABOVE DESK CLAMP

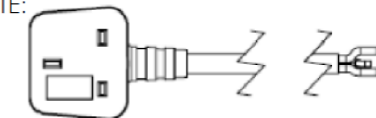
NOTE:



CABLE TYPE: 3 CORE x 1.5mm²
 DESCRIPTION: GST PLUG LEAD
 COLOUR: WHITE OR BLACK
 (REFER TO PURCHASE ORDER)
 LENGTH (mm):

xx	LENGTH (mm)
05	500
10	1000
15	1500
20	2000
25	2500
30	3000
35	3500
40	4000
45	4500
50	5000

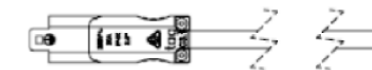
NOTE:



CABLE TYPE: 3 CORE x 1.5mm²
 DESCRIPTION: BRITISH 13A PLUG LEAD
 COLOUR: WHITE OR BLACK
 (REFER TO PURCHASE ORDER)
 LENGTH (mm):

xx	LENGTH (mm)
05	500
10	1000
15	1500
20	2000
25	2500
30	3000
35	3500
40	4000
45	4500
50	5000

NOTE:



CABLE TYPE: 3 CORE x 1.5mm²
 DESCRIPTION: C-CONNECTOR LEAD
 COLOUR: WHITE OR BLACK
 (REFER TO PURCHASE ORDER)
 LENGTH (mm):

xx	LENGTH (mm)
05	500
10	1000
15	1500
20	2000
25	2500
30	3000
35	3500
40	4000
45	4500
50	5000

PART NUMBER: (REFER CONFIGURATION)xxXX

NOTE - * - CLAMP TYPE - (S = ABOVE DESK OR Z = UNDER DESK)
 X - LEAD TYPE (BS PLUG = B), (GST CONNECTOR = W), (C3.1 CONNECTOR = C)
 xx - LENGTH - 05 / 10 / 15 / 20 / 25 / 30 / 35 / 40 / 45 / 50
 XX - COLOUR - W / B + 1 / 2 / 3 / 4 + (OPTIONAL) A / B / C / D

COLOUR VARIATIONS	
PART NUMBER	DESCRIPTION
W	WHITE BODY & CLAMP
B	BLACK BODY & CLAMP
1	WHITE DECAL GLOSS
2	WHITE DECAL MATT
3	BLACK DECAL GLOSS
4	BLACK DECAL MATT
FABRIC FINISH REFER TO LU38547	
A	FABRIC COLOUR 1
B	FABRIC COLOUR 2
C	FABRIC COLOUR 3
D	FABRIC COLOUR 4

CUSTOMER SIGNATURE:	TOLERANCES UNLESS OTHERWISE STATED: X ±0.5 X.X ±0.2 X.XX ±0.1 X.XXX ±0.05 ANG ±0.5°
MATERIAL: PC FR	
FINISH: FINE EDM / POLISHED / FABRIC	
COLOUR: REFER TABLE	
THIS DRAWING & ASSOCIATED CAD FILES ARE ISSUED IN THE STRICTEST CONFIDENCE AND ARE ONLY TO BE USED IN THE COMMERCIAL INTERESTS OF CMS ELECTRACOM PTY LTD	
DRAWN IN mm TO AS1100 DO NOT SCALE	



TITLE: VIVA DUO XL UK NON-FUSED CONFIGURATIONS		
DRAWING: LU39681	REV: 2	A3
SCALE 1:2	SHEET 2 OF 4	