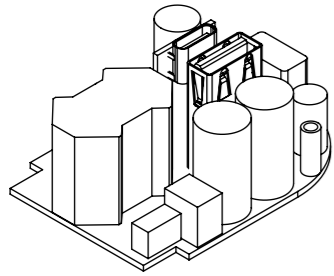
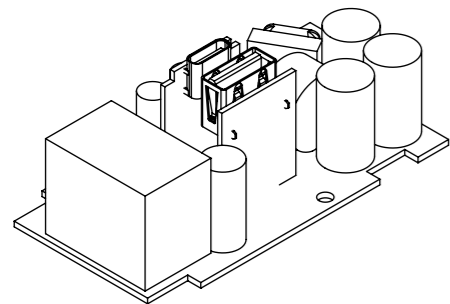
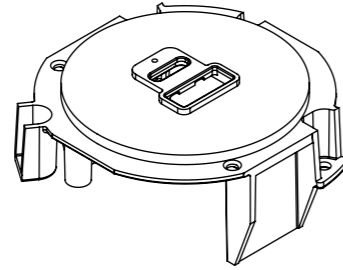


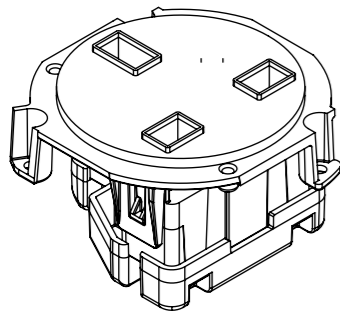
USE SC_CMS131_11
WHEN INSTALLING USB



30W USB AC MODUAL = U

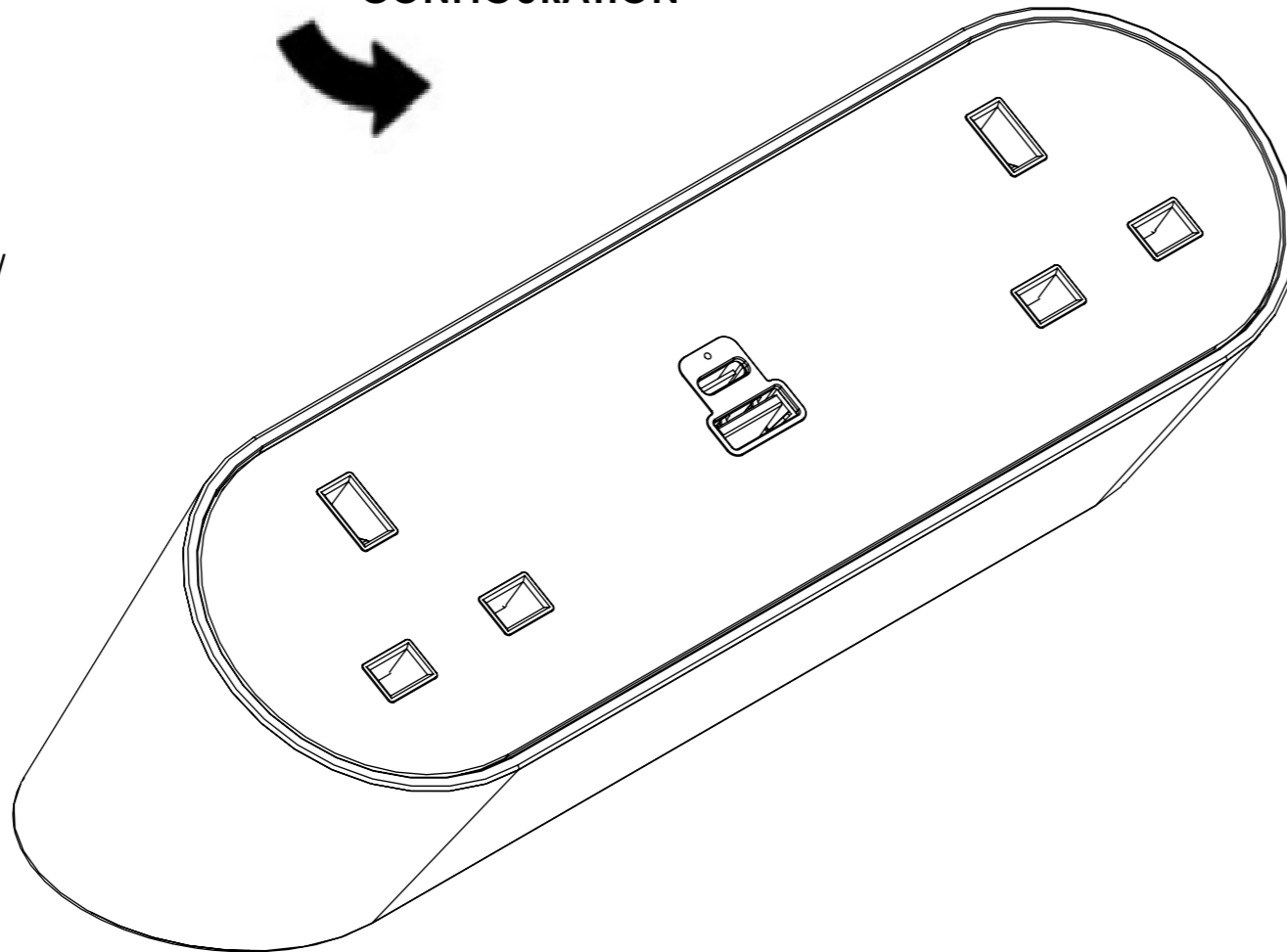


65W USB AC MODUAL = W

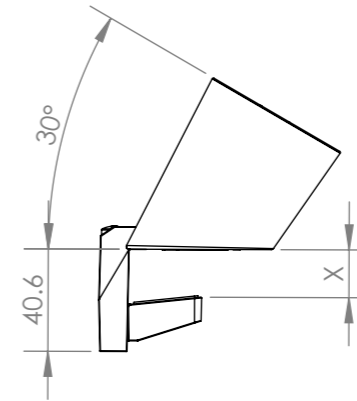
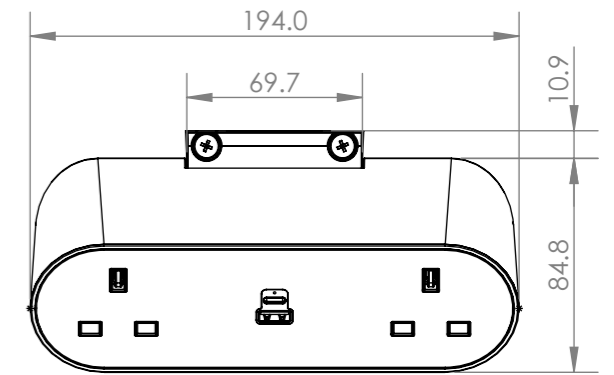


UK NON-FUSED OUTLET = C

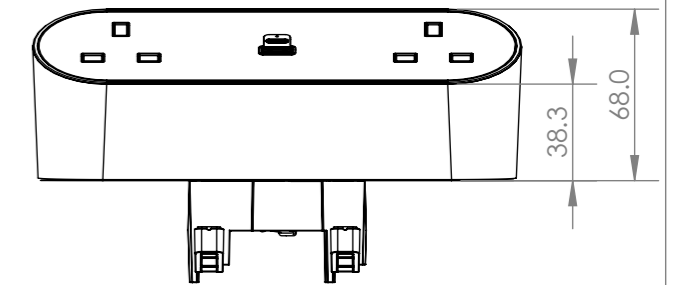
**FACTORY ONLY INSERTABLE MODULES
REFER PAGE 2 FOR MODULE
CONFIGURATION**



ABOVE DESK CLAMP

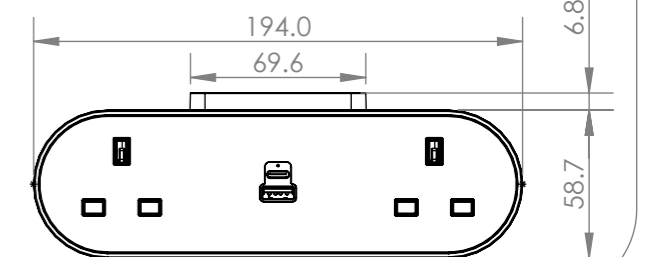
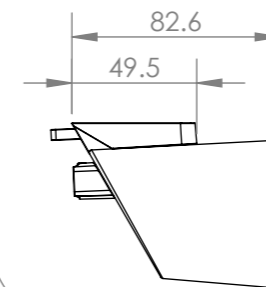
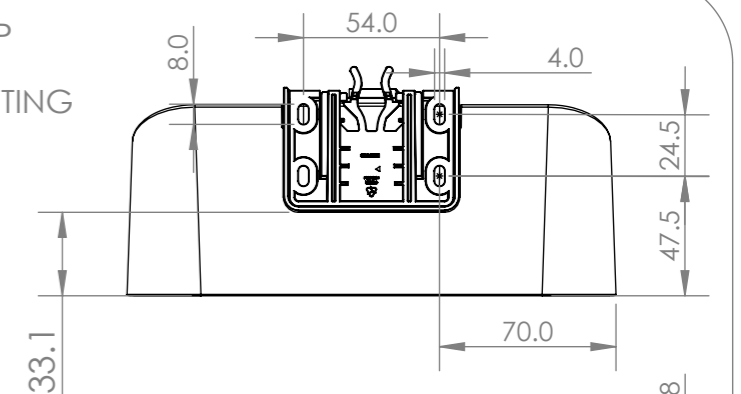


MIN TABLE THICKNESS: 20MM
MAX TABLE THICKNESS 32MM



UNDER DESK CLAMP

COMPATIBLE MOUNTING
SCREWS: 4G, 6G



| REV | DESCRIPTION | DATE | DRWN | APPV |
|-----------|---|------------|------|------|
| 4 | COLOUR TABLE UPDATED | 31/10/2023 | JB | RG |
| 3 | ITEM 2 IN BOM CORRECTED | 25/8/2022 | JB | RG |
| 2 | SCREW NOTE ADDED FOR USE OF TYPE 25 OR TYPE B | 29/7/2022 | JB | RG |
| 1 | RELEASED FOR PRODUCTION | 1/3/2022 | JB | RG |
| REVISIONS | | | | |

| |
|--|
| CUSTOMER SIGNATURE: |
| MATERIAL: PC FR |
| FINISH: FINE EDM / POLISHED / FABRIC |
| COLOUR: REFER TABLE |
| THIS DRAWING & ASSOCIATED CAD FILES ARE ISSUED IN THE STRICTEST CONFIDENCE AND ARE ONLY TO BE USED IN THE COMMERCIAL INTERESTS OF CMS ELECTRACOM PTY LTD |

TOLERANCES UNLESS OTHERWISE STATED:

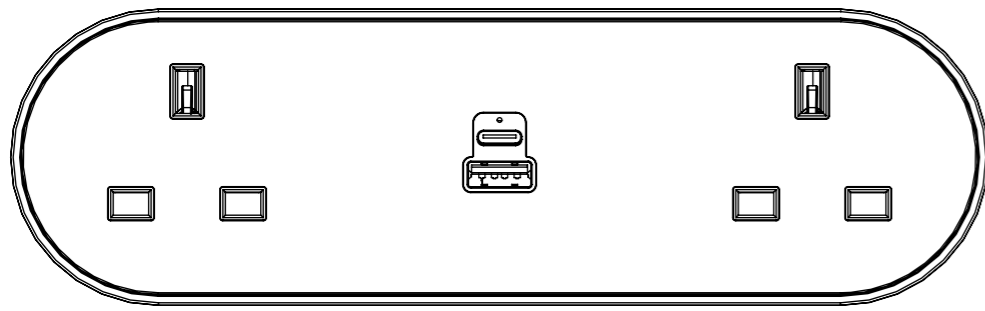
X ±0.5
X.X ±0.2
X.XX ±0.1
X.XXX ±0.05
ANG ±0.5°

DRAWN IN mm TO AS1100 DO NOT SCALE

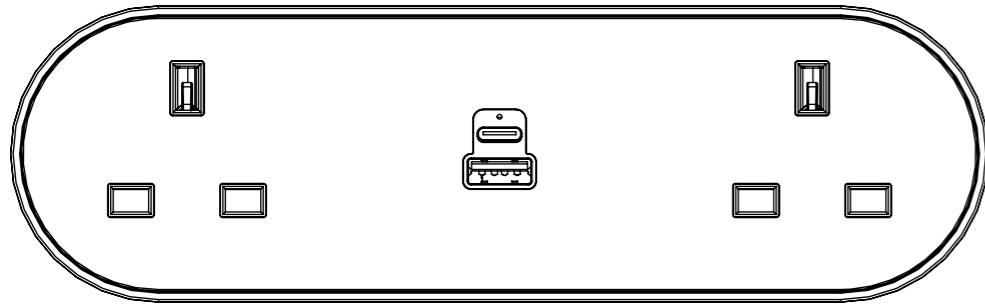


TITLE: NOVA TRIO XL UK NON-FUSED CONFIGURATIONS

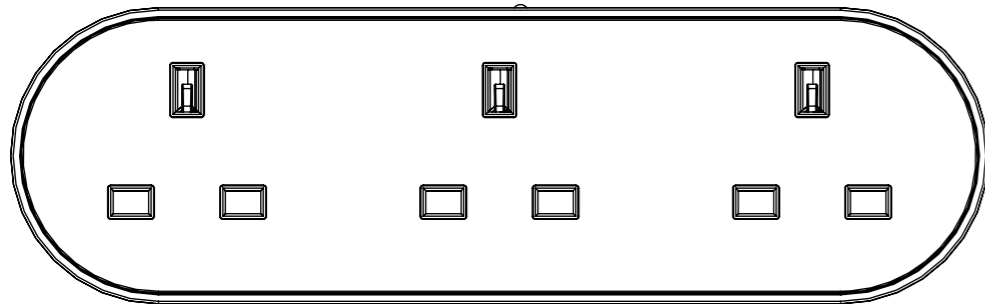
| | | |
|-------------------------|---------------|----|
| DRAWING: LU39689 | REV: 4 | A3 |
| SCALE 1:2 | SHEET 1 OF 4 | |



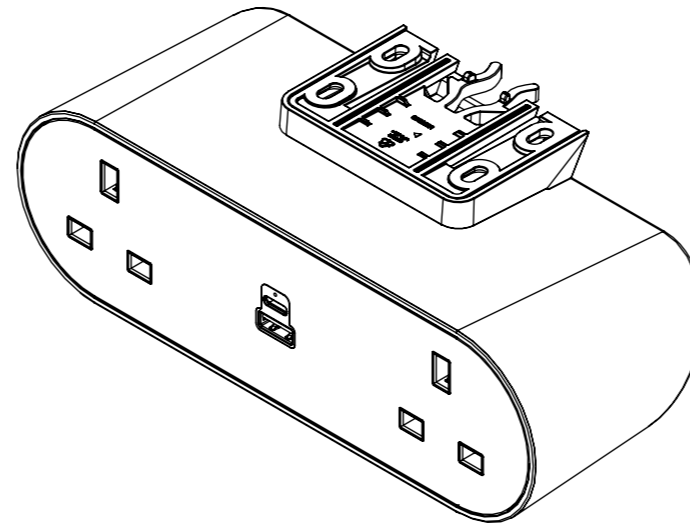
NT*CUCXxxXX



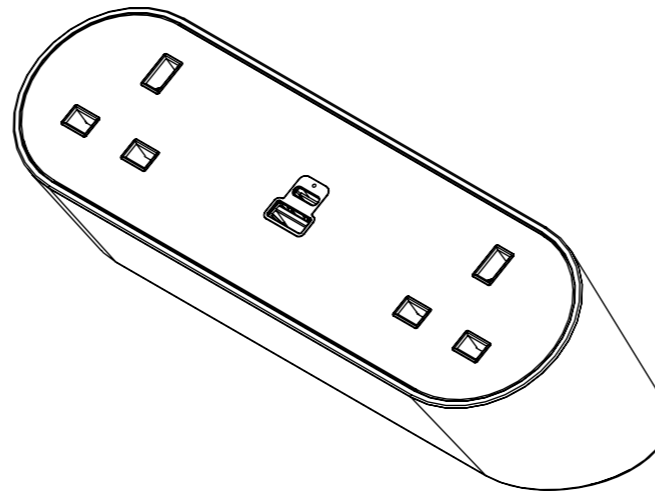
NT*CWCXxxXX



NT*CCCXxxXX

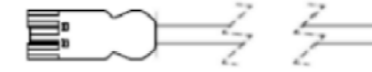


Z = UNDER DESK CLAMP



S= ABOVE DESK CLAMP

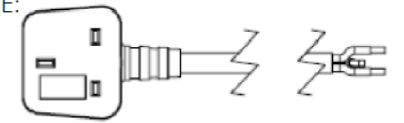
NOTE:



CABLE TYPE: 3 CORE x 1.5mm²
 DESCRIPTION: GST PLUG LEAD
 COLOUR: WHITE OR BLACK
 (REFER TO PURCHASE ORDER)
 LENGTH (mm):

| xx | LENGTH (mm) |
|----|-------------|
| 05 | 500 |
| 10 | 1000 |
| 15 | 1500 |
| 20 | 2000 |
| 25 | 2500 |
| 30 | 3000 |
| 35 | 3500 |
| 40 | 4000 |
| 45 | 4500 |
| 50 | 5000 |

NOTE:



CABLE TYPE: 3 CORE x 1.5mm²
 DESCRIPTION: BRITISH 13A PLUG LEAD
 COLOUR: WHITE OR BLACK
 (REFER TO PURCHASE ORDER)
 LENGTH (mm):

| xx | LENGTH (mm) |
|----|-------------|
| 05 | 500 |
| 10 | 1000 |
| 15 | 1500 |
| 20 | 2000 |
| 25 | 2500 |
| 30 | 3000 |
| 35 | 3500 |
| 40 | 4000 |
| 45 | 4500 |
| 50 | 5000 |

NOTE:



CABLE TYPE: 3 CORE x 1.5mm²
 DESCRIPTION: C-CONNECTOR LEAD
 COLOUR: WHITE OR BLACK
 (REFER TO PURCHASE ORDER)
 LENGTH (mm):

| xx | LENGTH (mm) |
|----|-------------|
| 05 | 500 |
| 10 | 1000 |
| 15 | 1500 |
| 20 | 2000 |
| 25 | 2500 |
| 30 | 3000 |
| 35 | 3500 |
| 40 | 4000 |
| 45 | 4500 |
| 50 | 5000 |

PART NUMBER: (REFER CONFIGURATION)xxXX
 NOTE - * - CLAMP TYPE - (S = ABOVE DESK OR Z = UNDER DESK)
 X - LEAD TYPE (BS PLUG = B), (GST CONNECTOR = W), (C3.1 CONNECTOR = C)
 xx - LENGTH - 05 / 10 / 15 / 20 / 25 / 30 / 35 / 40 / 45 / 50
 XX - COLOUR - W / B + 1 / 2 / 3 / 4 + (OPTIONAL) A / B / C / D

| COLOUR VARIATIONS | |
|--------------------------------|---|
| PART NUMBER | DESCRIPTION |
| W | WHITE BODY & CLAMP |
| B | BLACK BODY & CLAMP |
| 1 | WHITE DECAL GLOSS |
| 2 | WHITE DECAL MATT |
| 3 | BLACK DECAL GLOSS |
| 4 | BLACK DECAL MATT |
| FABRIC FINISH REFER TO LU41142 | |
| A | FABRIC COLOUR 1 - VANILA |
| B | FABRIC COLOUR 2 - SMOKE |
| C | FABRIC COLOUR 3 - IRON FORMERLY KNOWN AS CHARCOAL |
| D | FABRIC COLOUR 4 - CHARCOAL FORMERLY KNOWN AS BLACK |

| | |
|--|---|
| CUSTOMER SIGNATURE: | TOLERANCES UNLESS OTHERWISE STATED: X ±0.5 X.X ±0.2 X.XX ±0.1 X.XXX ±0.05 ANG ±0.5° |
| MATERIAL: PC FR | |
| FINISH: FINE EDM / POLISHED / FABRIC | |
| COLOUR: REFER TABLE | |
| THIS DRAWING & ASSOCIATED CAD FILES ARE ISSUED IN THE STRICTEST CONFIDENCE AND ARE ONLY TO BE USED IN THE COMMERCIAL INTERESTS OF CMS ELECTRACOM PTY LTD | |
| DRAWN IN mm TO AS1100 DO NOT SCALE | |



| | |
|---|------------------|
| TITLE: NOVA TRIO XL UK NON-FUSED CONFIGURATIONS | |
| DRAWING: LU39689 | REV: 4 |
| SCALE 1:2 | SHEET 2 OF 4 |

A3