

118W INLINE CHARGER

USB Charging

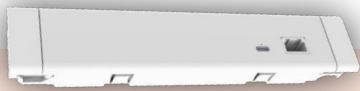


118W INLINE CHARGER

USB Charging

Our new 118W Inline USB Fast Charger is a modular charging solution, designed for enterprise, delivering high charging output for most laptops and smartphones. It offers an amazing 118W of power output, split between its 12 Pin and USB-C connection.

This module has been designed to be integrated with our softwiring, making it perfect for new and existing fitouts. When used with our WGCB clip, it can be mounted on our wire grid baskets or be screwed to a wall/up to the underside of a table.



118W Charging Module - White



118W Charging Module - Black

SW18UAC118K**

Inline Charging Module (100W 12 Pin Con. + 18W USB-C Con.), Incl 300mm TAG to C-Series Lead

Colours Available

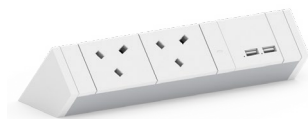
Black White

Key features

- Below desk power supply saves space above the desk
- Powerful 118W USB-PD Fast-Charge
- Capable of delivering optimum charging to most laptops and smartphones simultaneously
- Able to be integrated with some of our Power Rails and In-Desk Modules

Compatible With

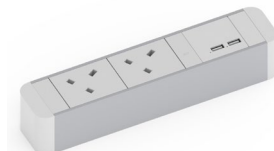
Above Surface



Athena Rails



Nova & Viva Rails

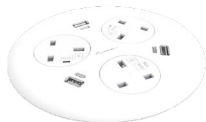


Zeus Rails



Dynamo USB Spacer

Recessed / In-Surface



Blinky



KonexUS



Echo Series

Below surface



118W USB-C Under-Desk Module



Accede



Neo



WGCB Clip

Soft Seating



USB-C Clip-in Bezel



Echo Series

Application Settings



Workstations



Meeting Rooms



Collaborative Spaces



Soft Seating

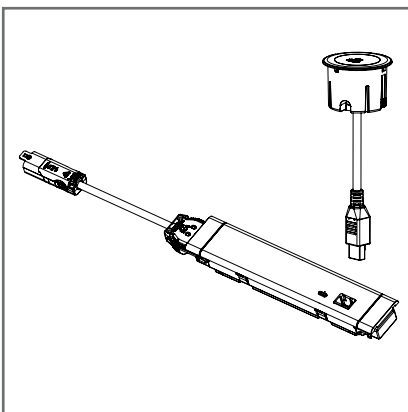


General Areas

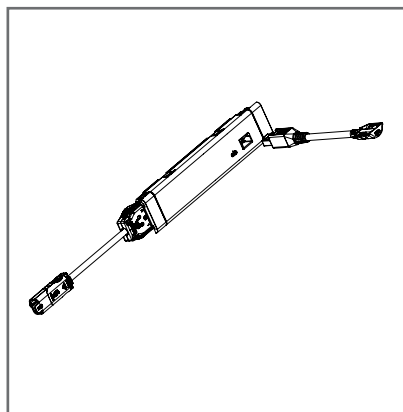


Quiet Spaces

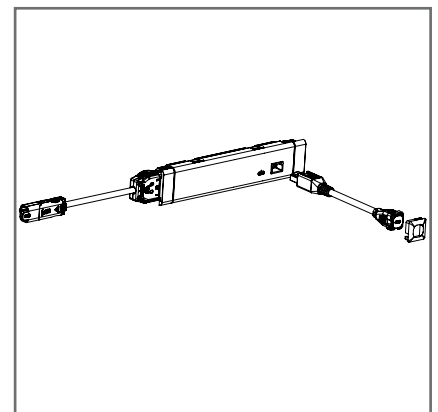
Assembly Options



USB AC



Desk Mount Lead



Bezel Lead

Product Specifications

Technical Data	Description
Input	100-240V AC; 50-60Hz; 2.5A
Maximum total output	118W
USB outlets	1 x Type-C, 1 x Type-A 1 x Type C (On Charger body)
Standby power	<0.3 W
Over voltage protection	Yes
Short circuit protection	*USB auto shut down & recovery
Over power protection	130W
Operating temperature range	0-35°C
Compliance	AS/NZS 61558.2.16 OVCIII; CISPR32:2015
Load combinations	USB A 5V/3A; 9V/2A; 12V/1.5A USB C 5V/3A,9V/3A, 12V/3A, 15V/3A,20V/5A (Connected devices only on one other port) 5V/3A,9V/3A, 12V/3A, 15V/3A,20V/4A (Connected devices on all 3 ports) USB C 5V/3A,9V/3A, 12V/1.5A, 15V/1.2A,20V/0.9A
USB Type-C Port	
Protocols supported	PPS PD3.0/QC3.0/QC2.0 /FCP/AFC
USB Type-A Port 1	
Protocols supported	QC3.0/QC2.0 /FCP/AFC/BC1.2 /Apple2.1/Apple2.4



Disclaimer: CMS has made every attempt to ensure the accuracy and reliability of the information provided in this document are correct. All information contained in this document is to be used for general guidance only. CMS reserves the right to change, delete or modify the information without notice.
© CMS Electracom 2023