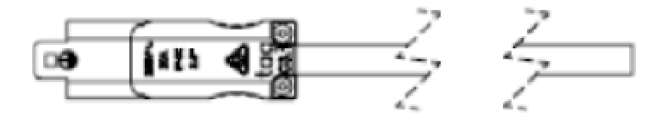


COLOUR VARIATIONS		
PART NUMBER	PLASTIC COMPONENTS	EXTRUSION
WT	WHITE	ANODISED SILVER
BK	BLACK	ANODISED SILVER
BK/BK	BLACK	POWDERCOATED BLACK MANNEX
WT/WT	WHITE	POWDERCOATED WHITE SATIN
WT/WM	WHITE	POWDERCOATED WHITE MANNEX

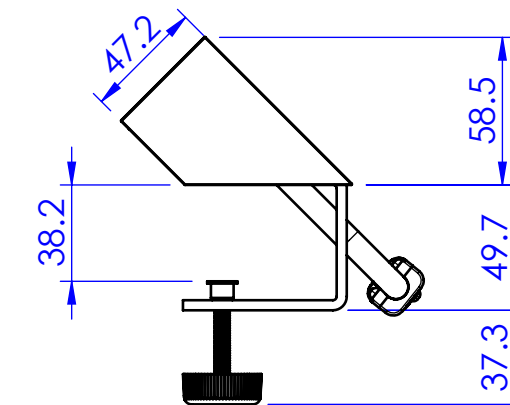
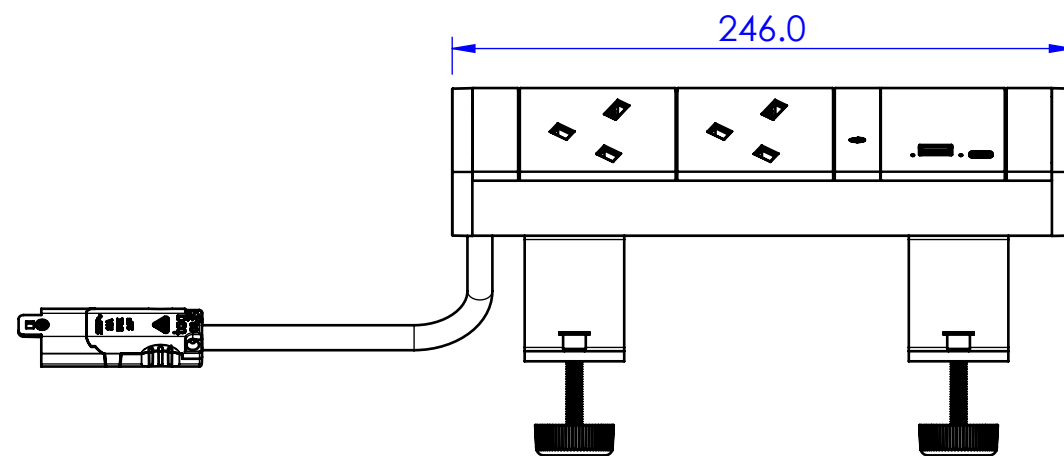
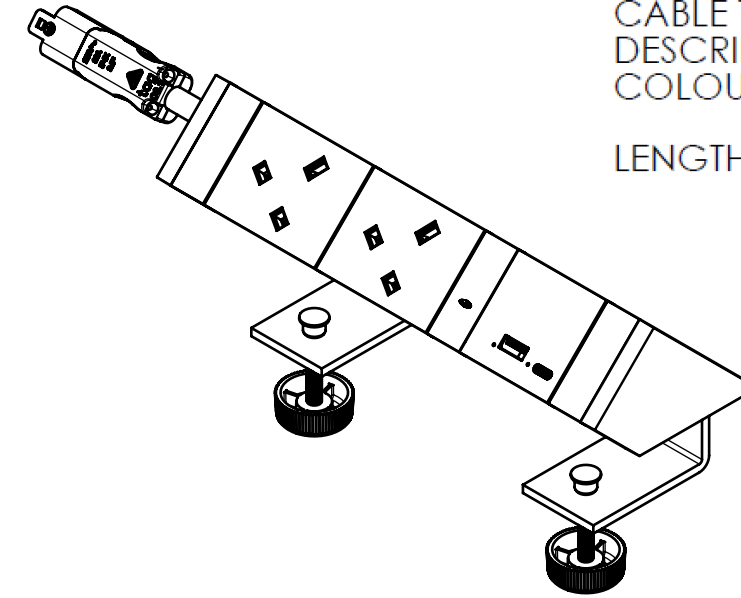
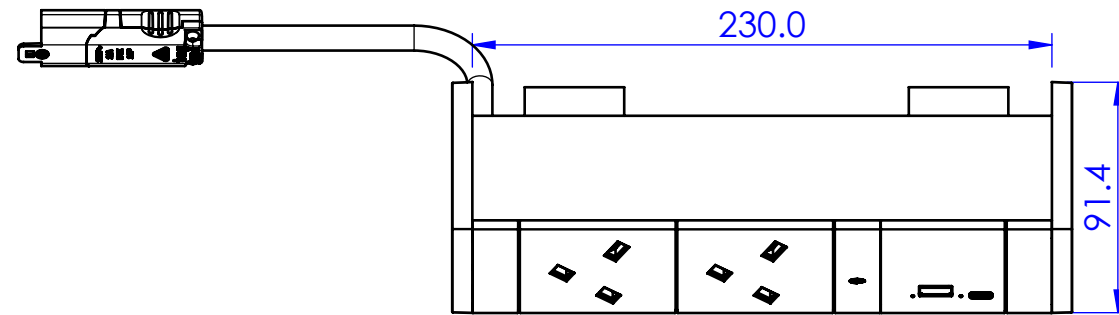
NOTE:



CABLE TYPE: 1.5MM  
 DESCRIPTION: C-CONNECTOR LEAD  
 COLOUR: WHITE OR BLACK  
 (REFER TO PURCHASE ORDER)


LENGTH (mm):

xx	LENGTH (mm)
05	500
10	1000
15	1500
20	2000
25	2500
30	3000
35	3500
40	4000
45	4500
50	5000



**PART NUMBER: NKA02UAC3CxxXX**

NOTE - xx - LENGTH - 05 / 10 / 15 / 20 / 25 / 30 / 35 / 40 / 45 / 50  
 XX - COLOUR - WT / BK / (BK/BK) / (WT/WT) / (WT/WM)

<b>CUSTOMER SIGNATURE:</b>		<b>TOLERANCES UNLESS OTHERWISE STATED:</b>  X ±0.5 X.X ±0.2 X.XX ±0.1 X.XXX ±0.05 ANG ±0.5°	 <b>CMS Electracom</b> <small>COPYRIGHT © 2015</small>															
<b>MATERIAL:</b> POLYCARBONATE / ALUMINIUM			<b>TITLE:</b> ATHENA 2 WITH NK1802 + 1 NK18UAC3															
<b>FINISH:</b> FINE EDM / ANODISED (POWDER COAT)			<b>DRAWING:</b> LU35855															
<b>COLOUR:</b> REFER TABLE			<b>REV:</b> 2															
THIS DRAWING & ASSOCIATED CAD FILES ARE ISSUED IN THE STRICTEST CONFIDENCE AND ARE ONLY TO BE USED IN THE COMMERCIAL INTERESTS OF CMS ELECTRACOM PTY LTD		DRAWN IN mm TO AS1100 DO NOT SCALE		<b>A3</b>														
<table border="1"> <thead> <tr> <th>REV</th> <th>DESCRIPTION</th> <th>DATE</th> <th>DRWN</th> <th>APPV</th> </tr> </thead> <tbody> <tr> <td>2</td> <td>RELEASED FOR PRODUCTION</td> <td>3/6/2020</td> <td>JB</td> <td>RG</td> </tr> <tr> <td>1</td> <td>RELEASED FOR QUOTATION - NOT FOR PRODUCTION</td> <td>3/6/2020</td> <td>JB</td> <td>RG</td> </tr> </tbody> </table>		REV	DESCRIPTION		DATE	DRWN	APPV	2	RELEASED FOR PRODUCTION	3/6/2020	JB	RG	1	RELEASED FOR QUOTATION - NOT FOR PRODUCTION	3/6/2020	JB	RG	SCALE 1:3
REV	DESCRIPTION	DATE	DRWN	APPV														
2	RELEASED FOR PRODUCTION	3/6/2020	JB	RG														
1	RELEASED FOR QUOTATION - NOT FOR PRODUCTION	3/6/2020	JB	RG														
REVISIONS				SHEET 1 OF 2														



JOB NUMBER  
PART NUMBER

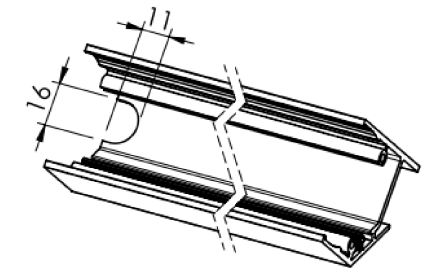
**CMS Electracom**  
cmselectra.com

Max rated output: 13A, 250V~, 50Hz  
BS1363, SS145, MS114

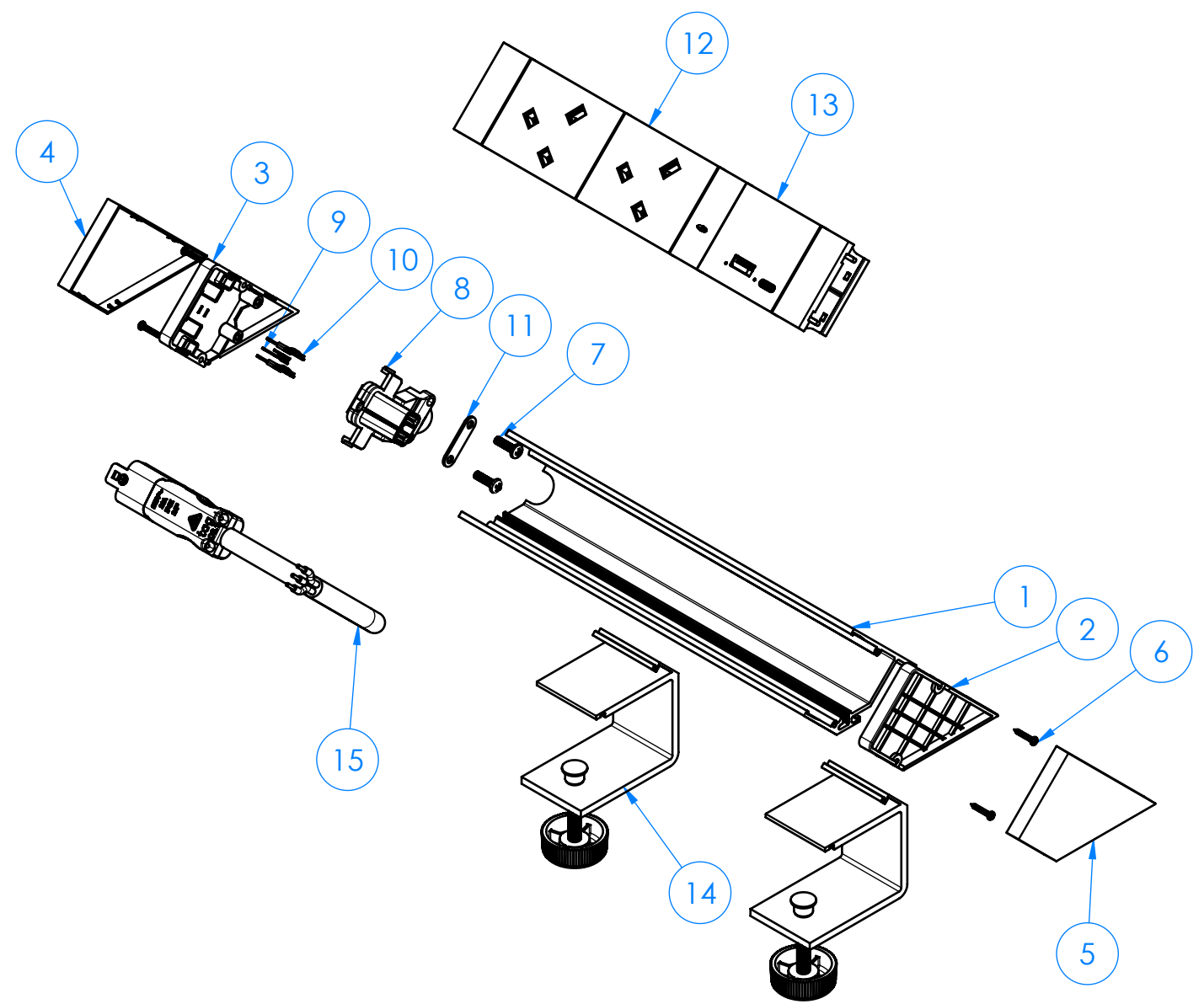
USB input (if fitted): 0.8 - 1.0A  
max output 1: 5V/3A  
max output 2: 5V/2.4A

power supply is only suitable for IT equipment

**ROUTING DETAIL - LU9294**

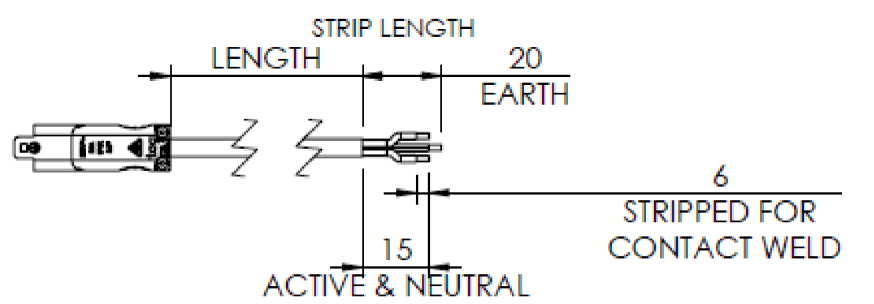


ATHENA POWER / DATA EXIT CUTOUT  
LEFT SIDE - POWER  
RIGHT SIDE - NO DATA  
NOT TO SCALE



ITEM NO.	PART NUMBER	DESCRIPTION	QTY.
1	LU9422	Athena 2 extrusion 230.0mm	1
2	LU9423	Athena Inner End Cap RH	1
3	LU9424	Athena MK2 inner endcap LH	1
4	LU17408	Athena Outer Square End Cap LH	1
5	LU17409	Athena Outer Square End Cap RH	1
6	-	2G x 13mm Pan Head Self Tapping Screw	4
7	7021604	6G x 1/2" Pan Head Self Tapping Screw	2
8	LU16661	Athena Coromal Connector	1
9	LU15229	Contact Spring	1
10	LU16776	Socket Contact Assy	2
11	LU18107	Athena Clamp Plate	1
12	NK1802	DUAL POWER MODULE	1
13	LU20386	30W APE USB AC UK SQUARE EDGE CHARGER	1
14	MDCA3	ATHENA 2 ALUMINIUM DESK CLAMP	2
15	LEAD	REFER TO NOTE	1

**NOTE:**



CABLE TYPE: 1.5mm<sup>2</sup>  
DESCRIPTION: C CONNECTOR TO ENDCAP CONNECTOR  
LENGTH: REFER TO PURCHASE ORDER  
COLOUR: WHITE OR BLACK (REFER TO PURCHASE ORDER)

<b>CUSTOMER SIGNATURE:</b>
<b>MATERIAL:</b> POLYCARBONATE / ALUMINIUM
<b>FINISH:</b> FINE EDM / ANODISED (POWDER COAT)
<b>COLOUR:</b> REFER TABLE
THIS DRAWING & ASSOCIATED CAD FILES ARE ISSUED IN THE STRICTEST CONFIDENCE AND ARE ONLY TO BE USED IN THE COMMERCIAL INTERESTS OF CMS ELECTRACOM PTY LTD

<b>TOLERANCES UNLESS OTHERWISE STATED:</b>
X ±0.5
X.X ±0.2
X.XX ±0.1
X.XXX ±0.05
ANG ±0.5°
DRAWN IN mm TO AS1100 DO NOT SCALE

**CMS Electracom** COPYRIGHT © 2015

**TITLE:**  
ATHENA 2 WITH NK1802 + 1 NK18UAC3

**DRAWING:**  
LU35855

**REV:**  
2

**SCALE:** 1:3

**SHEET:** 2 OF 2

**SIZE:** A3