
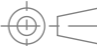


TOP VIEW - LID OPEN

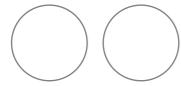
BOTTOM VIEW



PART NUMBER: NKNE10204

CUSTOMER SIGNATURE:		TOLERANCES UNLESS OTHERWISE STATED: X ±0.5 X.X ±0.2 X.XX ±0.1 X.XXX ±0.05 ANG ±0.5°	 CMS Electracom		<small>COPYRIGHT © 2020</small>	
MATERIAL: POLYCARBONATE / MILD STEEL / ALUMINIUM			TITLE:			
FINISH: FINE EDM / POWDER COATED / BEAD BLASTED			NK NEO SLB 2 GPO+4 DATA			
COLOUR: GPO BLACK / SMOOTH BLACK / SILVER			DRAWING:		REV:	A3
<small>THIS DRAWING & ASSOCIATED CAD FILES ARE ISSUED IN THE STRICTEST CONFIDENCE AND ARE ONLY TO BE USED IN THE COMMERCIAL INTERESTS OF CMS ELECTRACOM PTY LTD</small>		LU41956		2		
<small>DRAWN IN mm TO AS1100 DO NOT SCALE</small> 		SCALE 1:3		SHEET 1 OF 2		

REV	DESCRIPTION	DATE	DRWN	APPV
2	ADDED NEOPRENE TAPE/CHANGED M4x6 CSK SCREW TO DIN STANDARD	30/05/2023	GC	AP
1	RELEASED FOR PRODUCTION	14/03/2023	GC	AP
REVISIONS				

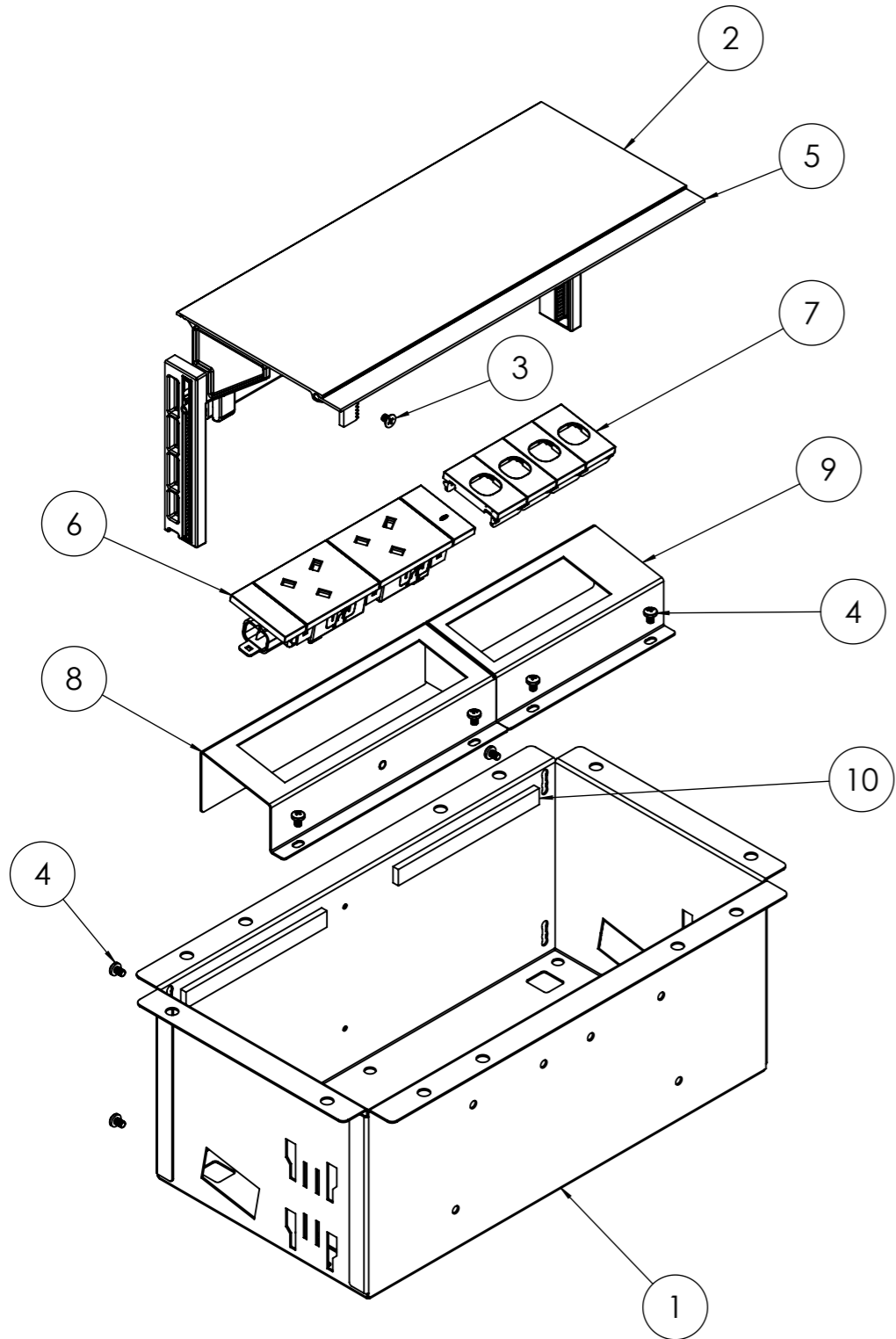


JOB NUMBER
PART NUMBER



CMS Electracom
cmselectra.com

Maximum rated output
13A, 250V a.c, 50Hz
BS1363, SS145, MS114



ITEM NO.	Part No	DESCRIPTION	QTY.
1	LU41197	OPTIMUS SLB UNDERCARRIAGE	1
2	LU40940	OPTIMUS SINGLE LID 310mm ASSEMBLY	1
3	7012406-D	M4 X 6 CSK SCREW DIN Standard	2
4	-	M4 x 6 Pan Head Machine Screw	8
5	9010930	20mm BRUSH STRIP 310mm	1
6	NK1802	DUAL POWER MODULE	1
7	SWQ18B-1 MKIII	Single data file with clip	4
8	LU41969	NK1802 ANGLED PLATE	1
9	LU41971	4 SWQ18B-1 ANGLED PLATE	1
10	LU43100	NEOPRENE(CR242) ADHESIVE SPONGE TAPE 120 x 12 x 4.5mm	2

CUSTOMER SIGNATURE:	TOLERANCES UNLESS OTHERWISE STATED: X ±0.5 X.X ±0.2 X.XX ±0.1 X.XXX ±0.05 ANG ±0.5°
MATERIAL: POLYCARBONATE / MILD STEEL / ALUMINIUM	
FINISH: FINE EDM / POWDER COATED / BEAD BLASTED	
COLOUR: GPO BLACK / SMOOTH BLACK / SILVER	
<small>THIS DRAWING & ASSOCIATED CAD FILES ARE ISSUED IN THE STRICTEST CONFIDENCE AND ARE ONLY TO BE USED IN THE COMMERCIAL INTERESTS OF CMS ELECTRACOM PTY LTD</small>	

TOLERANCES UNLESS OTHERWISE STATED:

X ±0.5
X.X ±0.2
X.XX ±0.1
X.XXX ±0.05
ANG ±0.5°

DRAWN IN mm TO AS1100 DO NOT SCALE



CMS Electracom

COPYRIGHT © 2020

TITLE:

NK NEO SLB 2 GPO+4 DATA

DRAWING:

LU41956

REV:

2

A3

SCALE 1:4

SHEET 2 OF 2