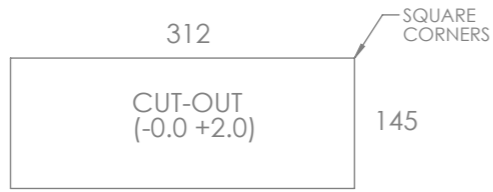

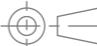


TOP VIEW - LID OPEN

BOTTOM VIEW




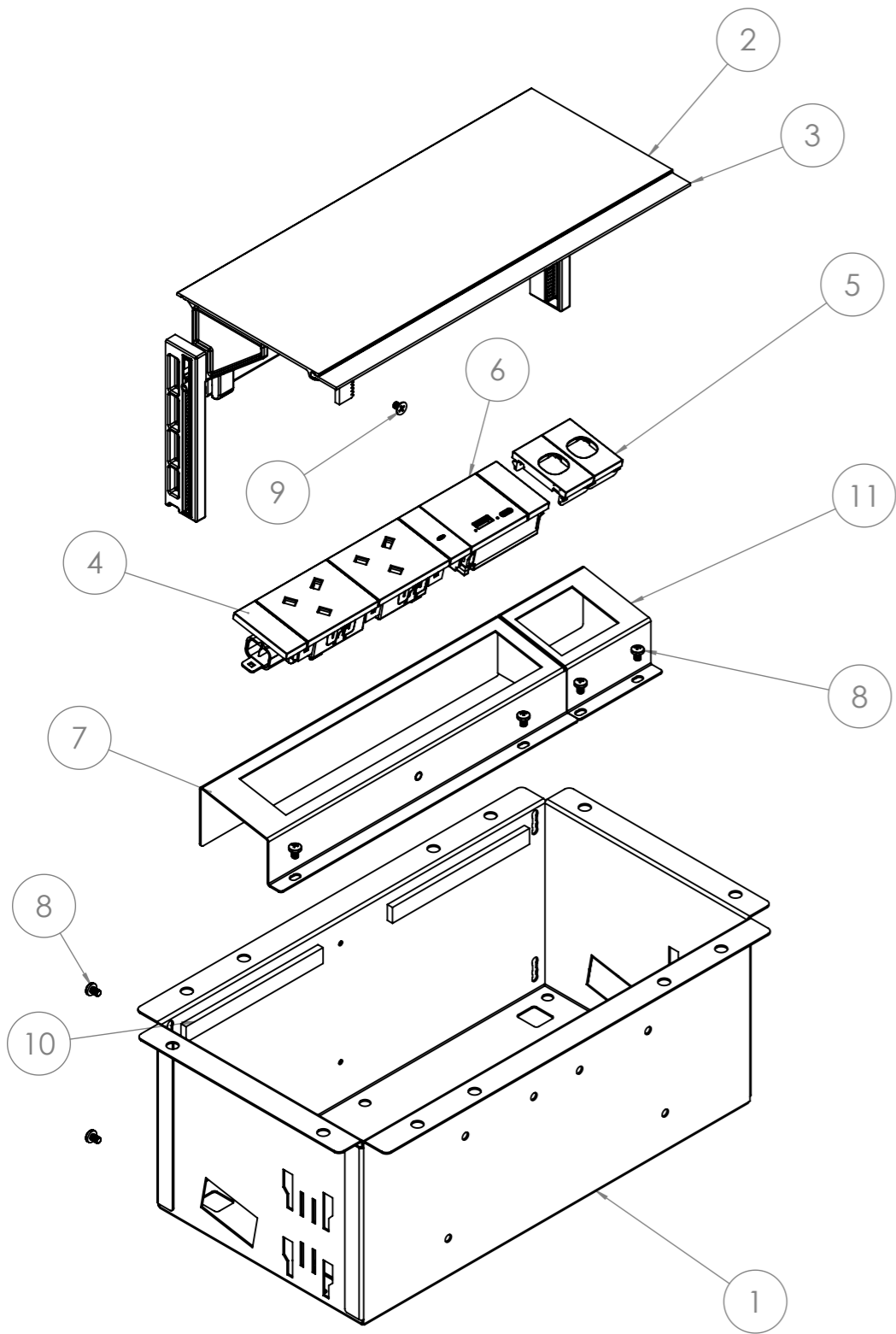
PART NUMBER: NKNE102UAC302SL

| | | | |
|---|---|---|--------------|
| CUSTOMER SIGNATURE: | TOLERANCES UNLESS OTHERWISE STATED: X ±0.5 X.X ±0.2 X.XX ±0.1 X.XXX ±0.05 ANG ±0.5° |  CMS Electracom <small>COPYRIGHT © 2020</small> | |
| MATERIAL: POLYCARBONATE / MILD STEEL / ALUMINIUM | | | |
| FINISH: FINE EDM / POWDER COATED / BEAD BLASTED | | DRAWING: | REV: |
| COLOUR: GPO BLACK / SMOOTH BLACK / SILVER | | LU41973 | 2 |
| <small>THIS DRAWING & ASSOCIATED CAD FILES ARE ISSUED IN THE STRICTEST CONFIDENCE AND ARE ONLY TO BE USED IN THE COMMERCIAL INTERESTS OF CMS ELECTRACOM PTY LTD</small> | | <small>DRAWN IN mm TO AS1100 DO NOT SCALE</small>  | A3 |
| | | SCALE 1:3 | SHEET 1 OF 2 |


| REV | DESCRIPTION | DATE | DRWN | APPV |
|-----------|--|------------|------|------|
| 2 | ADDED NEOPRENE TAPE/CHANGED M4x6 CSK SCREW TO DIN STANDARD | 15/05/2023 | GC | AP |
| 1 | RELEASED FOR PRODUCTION | 14/03/2023 | GC | AP |
| REVISIONS | | | | |




CMS Electracom
 cmselectra.com
 Max rated output: 13A, 250V~, 50Hz
 BS1363, SS145, MS1144
 USB input (if fitted): 0.8 - 1.0A
 max output 1: 5V/3A
 max output 2: 5V/2.4A
 power supply is only suitable for IT equipment



| ITEM NO. | Part No | DESCRIPTION | QTY. |
|----------|----------------|---|------|
| 1 | LU41197 | OPTIMUS SLB UNDERCARRIAGE | 1 |
| 2 | LU40940 | OPTIMUS SINGLE LID 310mm ASSEMBLY | 1 |
| 3 | 9010930 | 20mm BRUSH STRIP 310mm | 1 |
| 4 | NK1802 | DUAL POWER MODULE | 1 |
| 5 | SWQ18B-1 MKIII | Single data file with clip | 2 |
| 6 | LU20386 | 30W APE USB AC UK SQUARE EDGE CHARGER. | 1 |
| 7 | LU41982 | NK1802+USB AC 30W ANGLED PLATE | 1 |
| 8 | - | M4 x 6 Pan Head Machine Screw | 8 |
| 9 | - | M4 X 6 CSK SCREW DIN Standard | 2 |
| 10 | LU43100 | NEOPRENE(CR242) ADHESIVE SPONGE TAPE 120 x 12 x 4.5mm | 2 |
| 11 | LU41989 | 2 SWQ18B-1 ANGLED PLATE | 1 |

| | | | | |
|--|--|---|---|--|
| CUSTOMER SIGNATURE: | | TOLERANCES UNLESS OTHERWISE STATED: X ±0.5 X.X ±0.2 X.XX ±0.1 X.XXX ±0.05 ANG ±0.5° |  CMS Electracom <small>COPYRIGHT © 2020</small> | |
| MATERIAL: POLYCARBONATE / MILD STEEL / ALUMINIUM | | | | |
| FINISH: FINE EDM / POWDER COATED / BEAD BLASTED | | | DRAWING: LU41973 | |
| COLOUR: GPO BLACK / SMOOTH BLACK / SILVER | | | REV: 2 | |
| THIS DRAWING & ASSOCIATED CAD FILES ARE ISSUED IN THE STRICTEST CONFIDENCE AND ARE ONLY TO BE USED IN THE COMMERCIAL INTERESTS OF CMS ELECTRACOM PTY LTD | | DRAWN IN mm TO AS1100 DO NOT SCALE | A3 | |
| | | SCALE 1:5 | SHEET 2 OF 2 | |