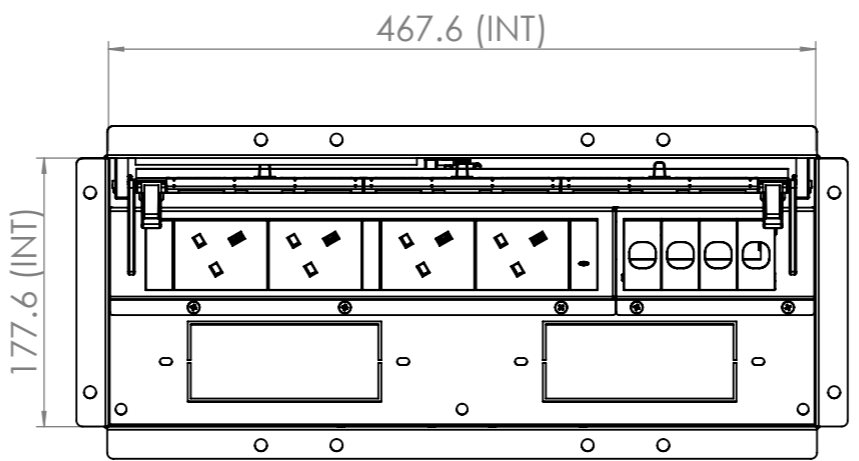
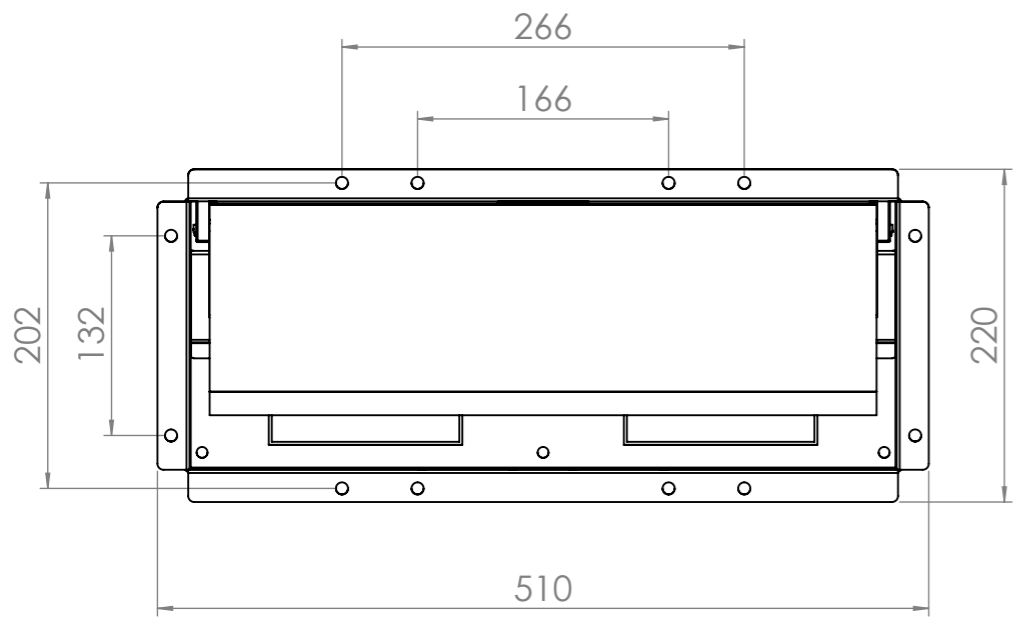
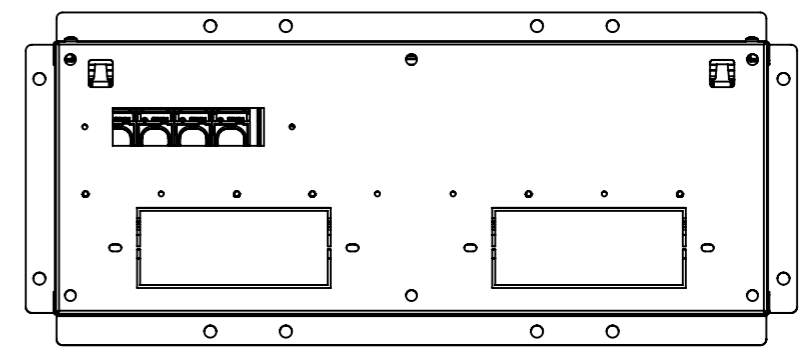


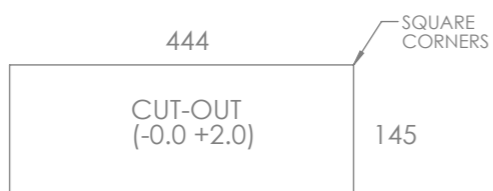
SECTION A-A
SCALE 1 : 4



TOP VIEW - LID OPEN



BOTTOM VIEW



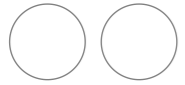
PART NUMBER: NKNE10404

CUSTOMER SIGNATURE:	TOLERANCES UNLESS OTHERWISE STATED: X ±0.5 X.X ±0.2 X.XX ±0.1 X.XXX ±0.05 ANG ±0.5°
MATERIAL: POLYCARBONATE / MILD STEEL / ALUMINIUM	
FINISH: FINE EDM / POWDER COATED / BEAD BLASTED	
COLOUR: GPO BLACK / SMOOTH BLACK / SILVER	
<small>THIS DRAWING & ASSOCIATED CAD FILES ARE ISSUED IN THE STRICTEST CONFIDENCE AND ARE ONLY TO BE USED IN THE COMMERCIAL INTERESTS OF CMS ELECTRACOM PTY LTD</small>	
<small>DRAWN IN mm TO AS1100 DO NOT SCALE</small>	

CMS Electracom COPYRIGHT © 2020

TITLE:		
NK NEO SLB 4 GPO+4 DATA		
DRAWING:	REV:	A3
LU41993	2	
SCALE 1:5	SHEET 1 OF 3	

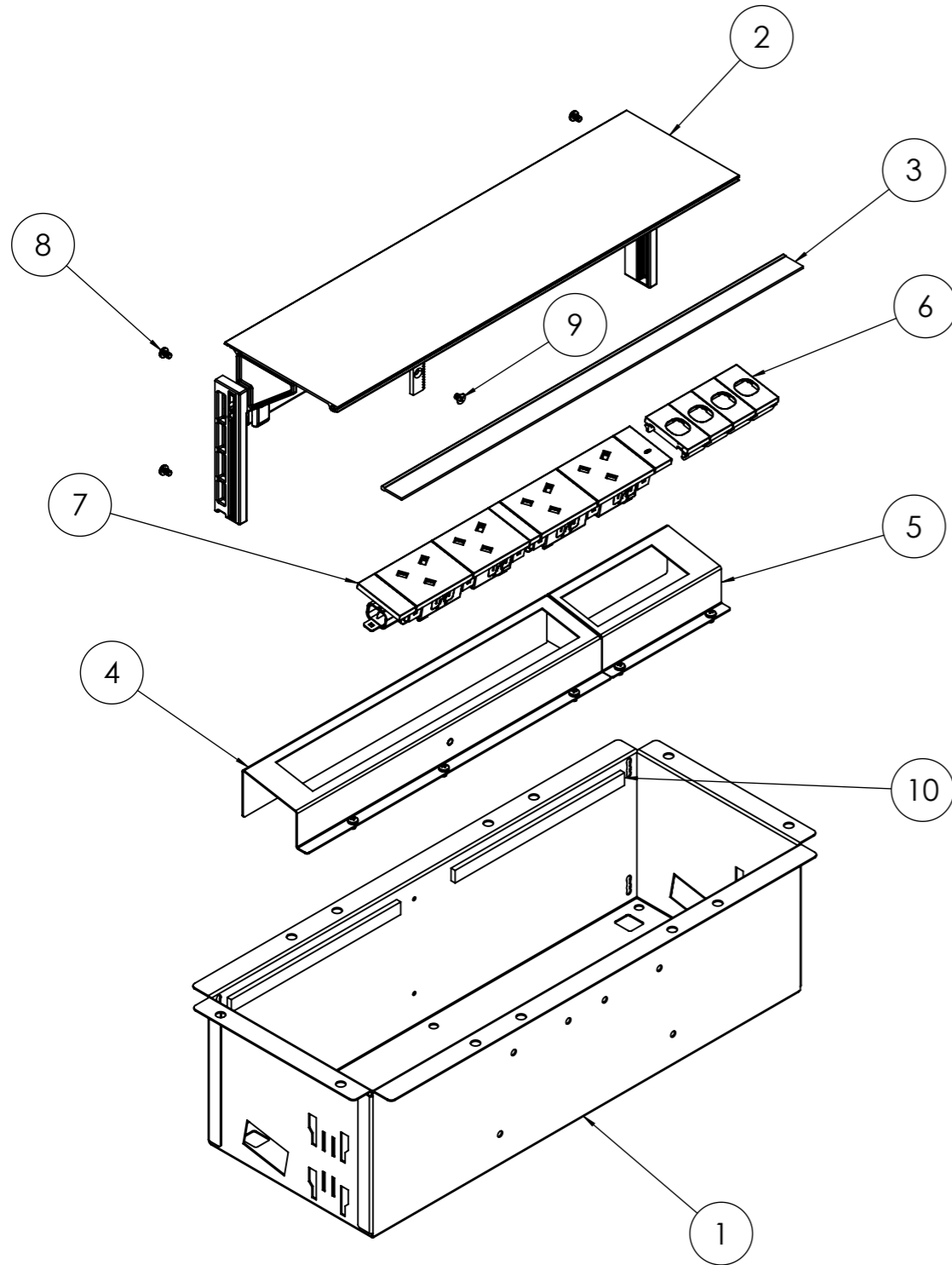
REV	DESCRIPTION	DATE	DRWN	APPV
2	ADDED NEOPRENE TAPE/CHANGED M4x6 CSK SCREW TO DIN STANDARD	30/05/2023	GC	AP
1	RELEASED FOR PRODUCTION	14/03/2023	GC	AP
REVISIONS				



JOB NUMBER
PART NUMBER



CMS Electracom Maximum rated output
13A, 250V a.c, 50Hz
cmselectra.com BS1363, SS145, MS114



ITEM NO.	Part No	DESCRIPTION	QTY.
1	LU41202	OPTIMUS SLB LARGE UNDERCARRIAGE	1
2	LU41020	OPTIMUS BOX LID 441mm ASSEMBLY	1
3	9010930	20mm BRUSH STRIP 441mm	1
4	LU41995	NK 1804 ANGLED PLATE	1
5	LU41999	4x SWQ18B-1 ANGLED PLATE	1
6	SWQ18B-1 MKIII	Single data tile with clip (BLACK)	4
7	LU17120	NK1804	1
8	-	M4 x 6 Pan Head Machine Screw	9
9	-	M4 X 6 CSK SCREW DIN Standard	2
10	LU43298	CR 242 TAPE 186 x 12 x 4.5mm	2

CUSTOMER SIGNATURE:	TOLERANCES UNLESS OTHERWISE STATED: X ±0.5 X.X ±0.2 X.XX ±0.1 X.XXX ±0.05 ANG ±0.5°
MATERIAL: POLYCARBONATE / MILD STEEL / ALUMINIUM	
FINISH: FINE EDM / POWDER COATED / BEAD BLASTED	
COLOUR: GPO BLACK / SMOOTH BLACK / SILVER	
<small>THIS DRAWING & ASSOCIATED CAD FILES ARE ISSUED IN THE STRICTEST CONFIDENCE AND ARE ONLY TO BE USED IN THE COMMERCIAL INTERESTS OF CMS ELECTRACOM PTY LTD</small>	

TOLERANCES UNLESS OTHERWISE STATED:

X ±0.5
X.X ±0.2
X.XX ±0.1
X.XXX ±0.05
ANG ±0.5°

DRAWN IN mm TO AS1100 DO NOT SCALE



CMS Electracom

COPYRIGHT © 2020

TITLE:

NK NEO SLB 4 GPO+4 DATA

DRAWING:

LU41993

REV:

2

A3

SCALE 1:5

SHEET 2 OF 3