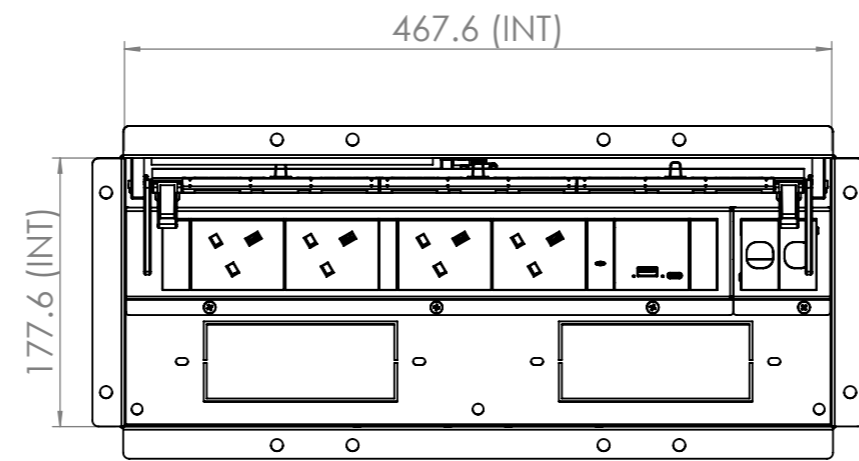
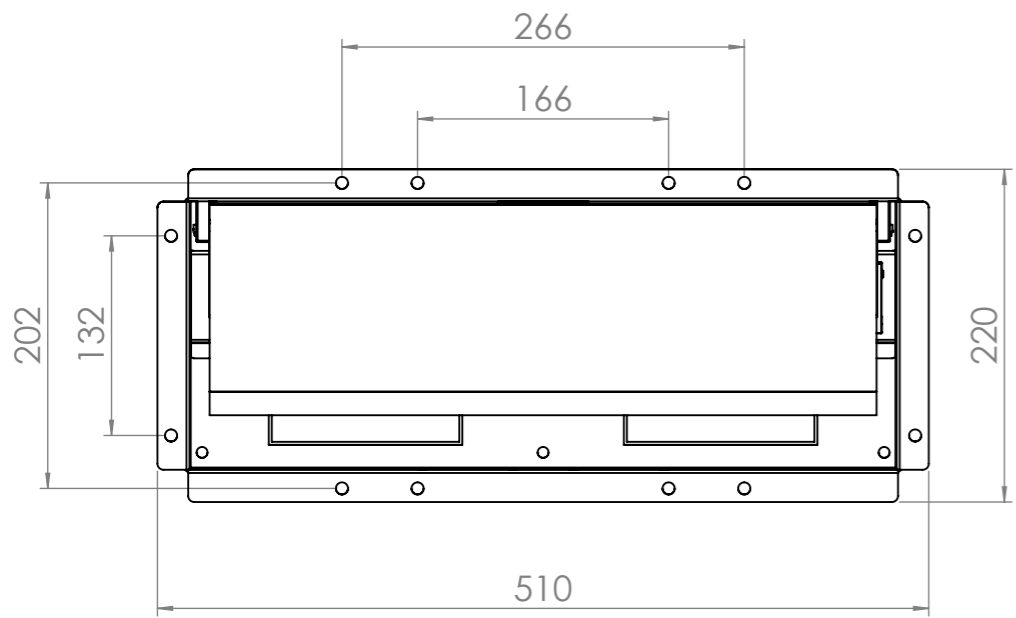
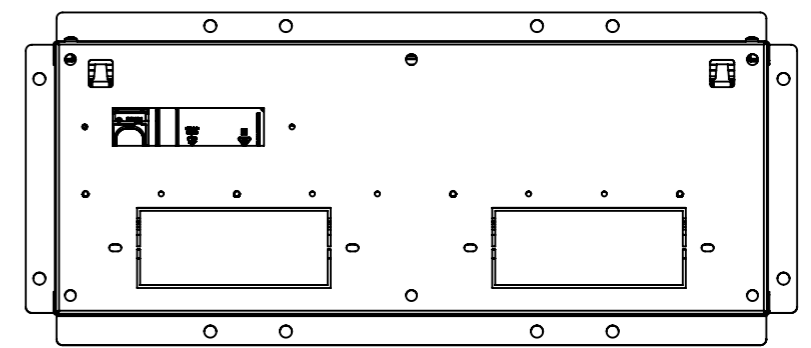


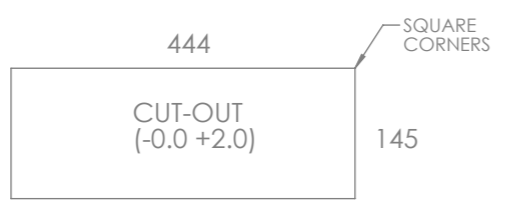
SECTION A-A
SCALE 1 : 4



TOP VIEW - LID OPEN



BOTTOM VIEW



PART NUMBER: NKNE104UAC02

CUSTOMER SIGNATURE:	TOLERANCES UNLESS OTHERWISE STATED: X ±0.5 X.X ±0.2 X.XX ±0.1 X.XXX ±0.05 ANG ±0.5°
MATERIAL: POLYCARBONATE / MILD STEEL / ALUMINIUM	
FINISH: FINE EDM / POWDER COATED / BEAD BLASTED	
COLOUR: GPO BLACK / SMOOTH BLACK / SILVER	
<small>THIS DRAWING & ASSOCIATED CAD FILES ARE ISSUED IN THE STRICTEST CONFIDENCE AND ARE ONLY TO BE USED IN THE COMMERCIAL INTERESTS OF CMS ELECTRACOM PTY LTD</small>	
<small>DRAWN IN mm TO AS1100 DO NOT SCALE</small>	




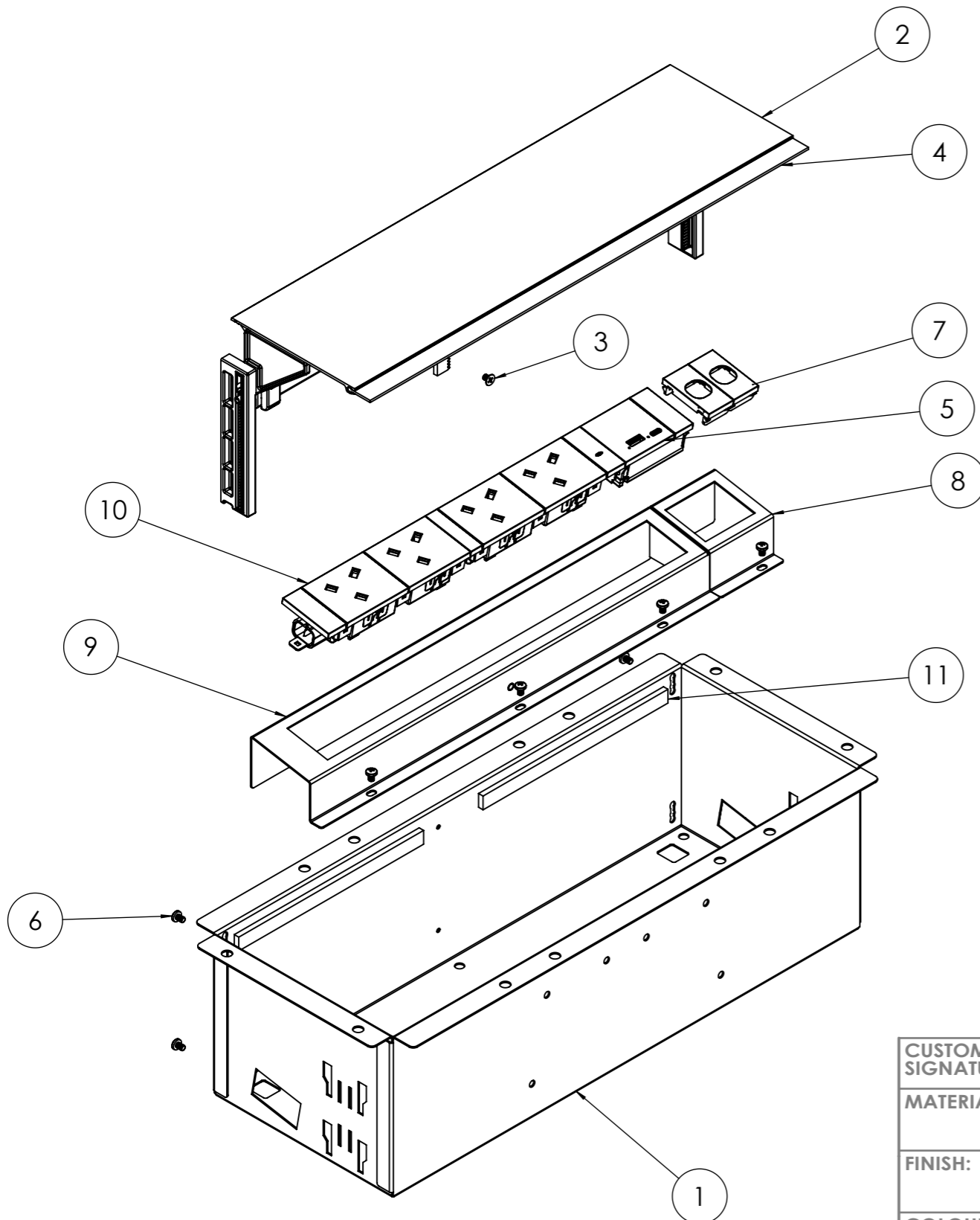
TITLE:
NK NEO SLB 4 GPO+USB AC 30W+2 DATA

REV	DESCRIPTION	DATE	DRWN	APPV
2	ADDED NEOPRENE TAPE/CHANGED M4x6 CSK SCREW TO DIN STANDARD	30/05/2023	GC	AP
1	RELEASED FOR PRODUCTION	14/03/2023	GC	AP
REVISIONS				

DRAWING: LU42001	REV: 2	A3
SCALE 1:5	SHEET 1 OF 3	




CMS Electracom
 cmselectra.com
 Max rated output: 13A, 250V~, 50Hz
 BS1363, SS145, MS1144
 USB input (if fitted): 0.8 - 1.0A
 max output 1: 5V/3A
 max output 2: 5V/2.4A
 power supply is only suitable for IT equipment



ITEM NO.	Part No	DESCRIPTION	QTY.
1	LU41202	OPTIMUS SLB LARGE UNDERCARRIAGE	1
2	LU41020	OPTIMUS BOX LID 441mm ASSEMBLY	1
3	7012406-D	M4 X 6 CSK SCREW DIN Standard	2
4	9010930	20mm BRUSH STRIP 441mm	1
5	LU20386	30W APE USB AC UK SQUARE EDGE CHARGER	1
6	-	M4 x 6 Pan Head Machine Screw	8
7	SWQ18B-1 MKIII	Single data file with clip	2
8	LU42005	2 SWQ18B-1 ANGLED PLATE	1
9	LU42003	NK1804+NK18UAC3 ANGLED PLATE	1
10	LU17120	NK1804	1
11	LU43298	CR 242 TAPE 186 x 12 x 4.5mm	2

CUSTOMER SIGNATURE:
MATERIAL: POLYCARBONATE / MILD STEEL / ALUMINIUM
FINISH: FINE EDM / POWDER COATED / BEAD BLASTED
COLOUR: GPO BLACK / SMOOTH BLACK / SILVER
 THIS DRAWING & ASSOCIATED CAD FILES ARE ISSUED IN THE STRICTEST CONFIDENCE AND ARE ONLY TO BE USED IN THE COMMERCIAL INTERESTS OF CMS ELECTRACOM PTY LTD

TOLERANCES UNLESS OTHERWISE STATED:

X ±0.5
 X.X ±0.2
 X.XX ±0.1
 X.XXX ±0.05
 ANG ±0.5°

DRAWN IN mm TO AS1100 DO NOT SCALE


CMS Electracom COPYRIGHT © 2020

TITLE:
 NK NEO SLB 4 GPO+USB AC 30W+2 DATA

DRAWING: LU42001 **REV:** 2 **A3**

SCALE 1:5 SHEET 2 OF 3