

CUTOUT REBATE - 81.40 x 25.40 (-0.0/+0.2mm) x 10.60mm DEEP (-0.0/+0.2mm)  
 CUTOUT THROUGH - 58.60 x 22.20 (-0.0/+0.2mm)  
 HOLES - 5.00mm

TO BE PRECISION MACHINED BY EXPERIENCED PERSONS  
 REFER LU48431 DXF

1	RELEASED FOR PRODUCTION	10/02/2025	AP	RG
REV	DESCRIPTION	DATE	DRWN	APPV
REVISIONS				

<b>CUSTOMER SIGNATURE:</b>	<b>TOLERANCES UNLESS OTHERWISE STATED:</b>  X ±0.5 X.X ±0.2 X.XX ±0.1 X.XXX ±0.05 ANG ±0.5°
<b>MATERIAL:</b>	
<b>FINISH:</b>	
<b>COLOUR:</b>	
S.S / M.S  REFER CMS DATA SHEET  REFER CMS DATA SHEET	THIS DRAWING & ASSOCIATED CAD FILES ARE ISSUED IN THE STRICTEST CONFIDENCE AND ARE ONLY TO BE USED IN THE COMMERCIAL INTERESTS OF CMS ELECTRACOM PTY LTD  DRAWN IN mm TO AS1100 DO NOT SCALE

**CMS Electracom** COPYRIGHT © 2020

**TITLE:**  
 DEVICE TYPE-A METAL FRAME ASSEMBLY

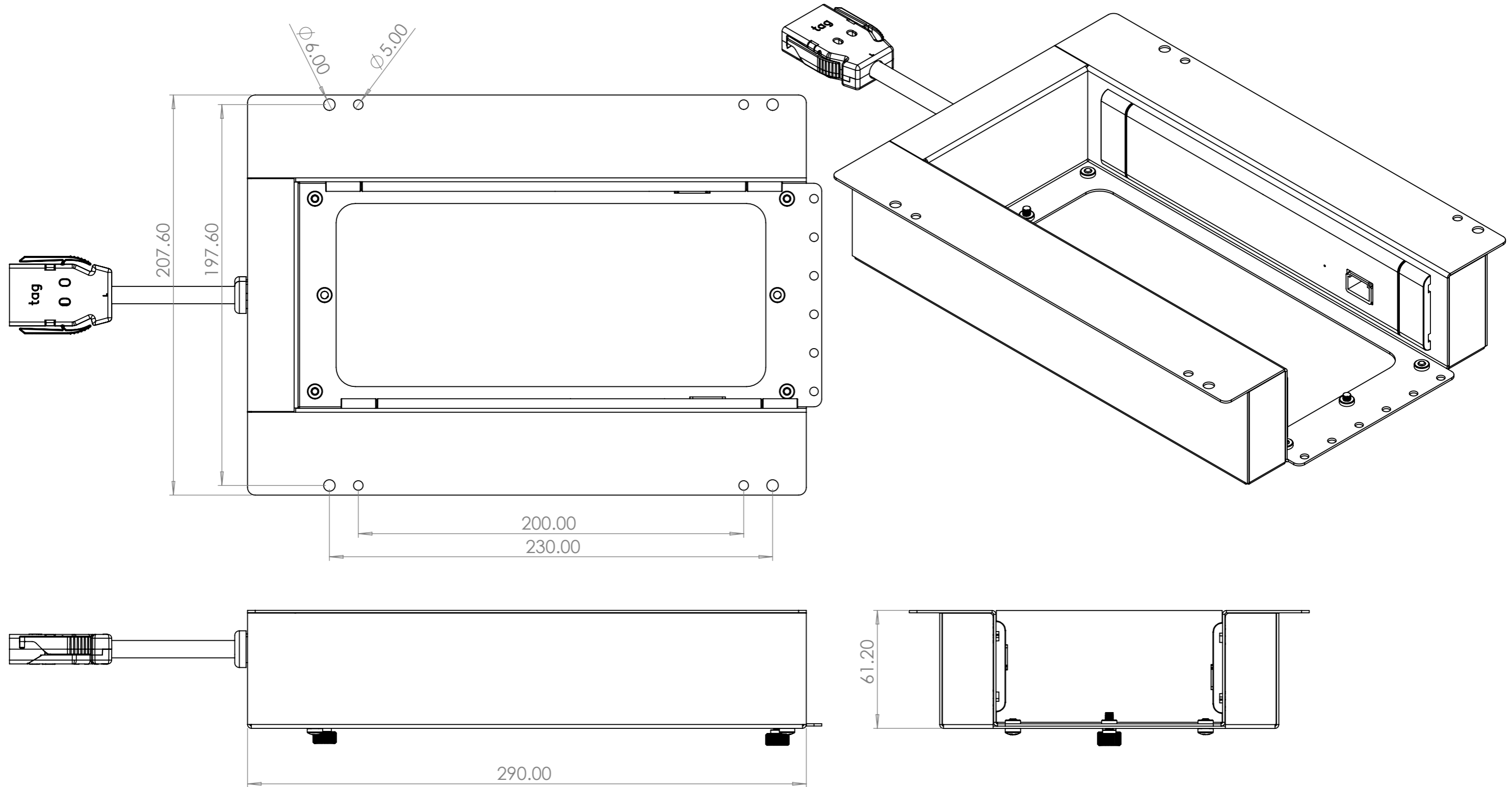
**DRAWING:**  
 LU47002

**REV:**  
 1

SCALE 2:1

**A3**


SHEET 1 OF 2



REV	DESCRIPTION	DATE	DRWN	APPV
2	REDESIGNED OUTER HOUSING	1/08/2025	AP	RG
1	RELEASED FOR PRODUCTION	24/10/24	AP	RG
REVISIONS				

<b>CUSTOMER SIGNATURE:</b>
<b>MATERIAL:</b> M.S
<b>FINISH:</b> POWDERCOAT
<b>COLOUR:</b> BLACK SATIN
THIS DRAWING & ASSOCIATED CAD FILES ARE ISSUED IN THE STRICTEST CONFIDENCE AND ARE ONLY TO BE USED IN THE COMMERCIAL INTERESTS OF CMS ELECTRACOM PTY LTD

<b>TOLERANCES UNLESS OTHERWISE STATED:</b>  X ±0.5 X.X ±0.2 X.XX ±0.1 X.XXX ±0.05 ANG ±0.5°
DRAWN IN mm TO AS1100 DO NOT SCALE


**CMS Electracom** COPYRIGHT © 2020

**TITLE:**  
VERO 140W USB HOUSING ASSEMBLY

<b>DRAWING:</b> LU46833	<b>REV:</b> 2	A3
SCALE 1:5	SHEET 1 OF 2	