
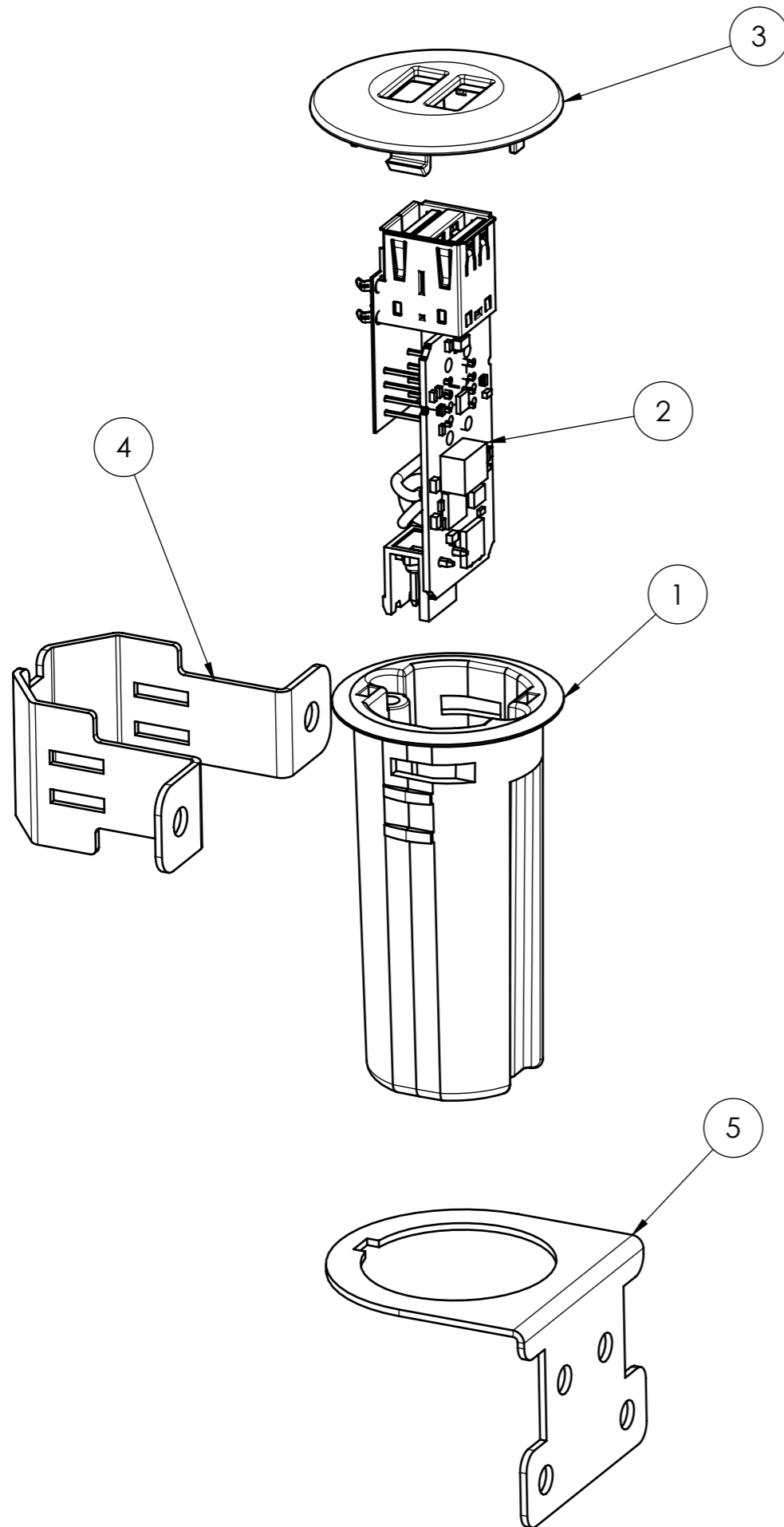


1	ISSUED FOR SALES	21/06/2017	JC	
REV	DESCRIPTION	DATE	DRWN	APPV
REVISIONS				

CUSTOMER SIGNATURE:
MATERIAL: PC - FR (UL94-V0)
FINISH: TEXTURED
COLOUR: VARIOUS
THIS DRAWING & ASSOCIATED CAD FILES ARE ISSUED IN THE STRICTEST CONFIDENCE AND ARE ONLY TO BE USED IN THE COMMERCIAL INTERESTS OF CMS ELECTRACOM PTY LTD


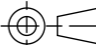
TOLERANCES UNLESS OTHERWISE STATED: X ±0.5 X.X ±0.2 X.XX ±0.1 X.XXX ±0.05 ANG ±0.5°
DRAWN IN mm TO AS1100 DO NOT SCALE

 CMS Electracom COPYRIGHT © 2015		
TITLE: 32mm USB ASSEMBLY WITH UNDERDESK BRACKETS		
DRAWING: LU9490	REV: 1	A3
SCALE 4:3	SHEET 1 OF 2	



NOTE:
SUPPLY WITH 6 x 6G X 18 SELF TAPPING PAN HEAD MACHINE SCREWS

ITEM NO.	PART NUMBER	QTY.
1	LU19483_32mm USB housing	1
2	LU9440 FURNITURE USB PCB	1
3	LU19484_32mm USB Top Cover	1
4	LU9488_32mm under desk supporting bracket	1
5	LU9489_32mm underdesk mounting front plate	1
8	6G x 18 SELF TAPPING PAN HEAD MACHINE SCREW	6

CUSTOMER SIGNATURE:	TOLERANCES UNLESS OTHERWISE STATED: X ±0.5 X.X ±0.2 X.XX ±0.1 X.XXX ±0.05 ANG ±0.5°	 CMS Electracom <small>COPYRIGHT © 2015</small>		
MATERIAL: PC - FR (UL94-V0)				TITLE: 32mm USB ASSEMBLY WITH UNDERDESK BRACKETS
FINISH: TEXTURED		DRAWING: LU9490	REV: 1	A3
COLOUR: VARIOUS		SCALE 1:1		
<small>THIS DRAWING & ASSOCIATED CAD FILES ARE ISSUED IN THE STRICTEST CONFIDENCE AND ARE ONLY TO BE USED IN THE COMMERCIAL INTERESTS OF CMS ELECTRACOM PTY LTD</small>		<small>DRAWN IN mm TO AS1100 DO NOT SCALE</small> 		
		SHEET 2 OF 2		