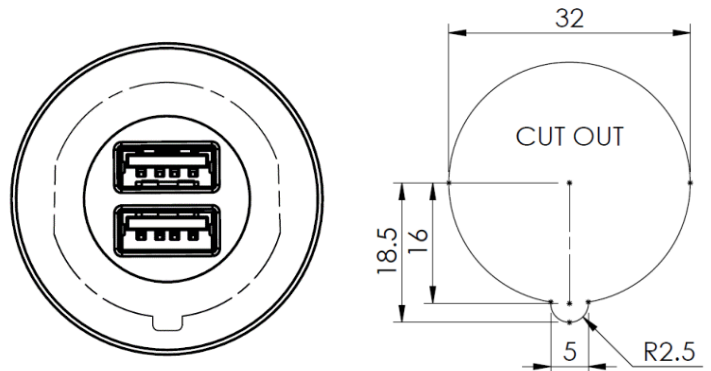


ATOM USB MODULE

Installation Instructions

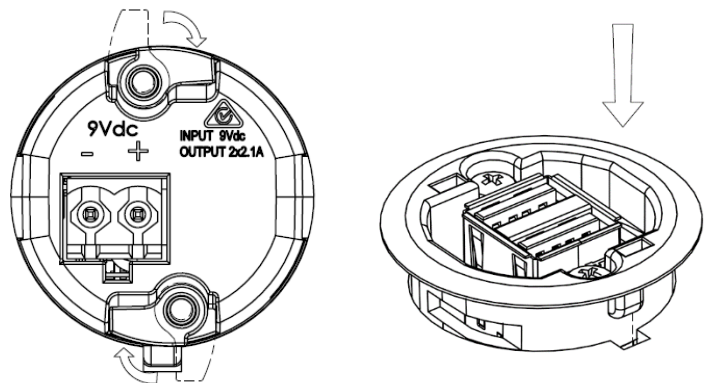
STEP 1 – CUT OUT

Determine desired orientation of product and cut hole into desk top or joinery. The notch will be parallel to the USB in horizontal position. REFER TO DRAWING.



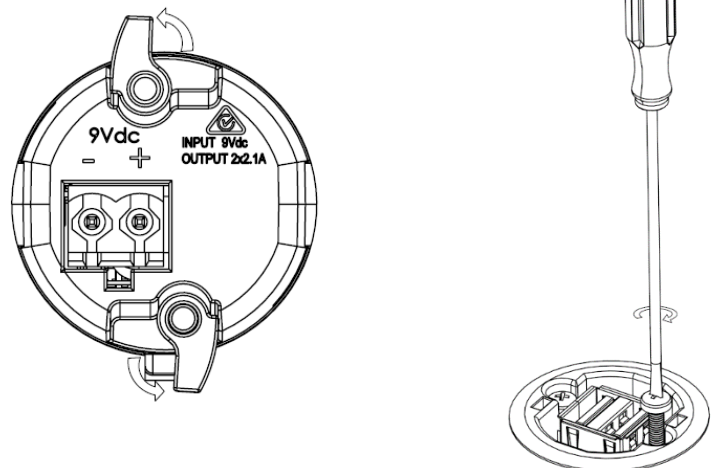
STEP 2 – INSERT HOUSING WITH PCB

Fold clamps into the housing provision. Align dimple on housing with notch in the cut out and insert housing into desk.



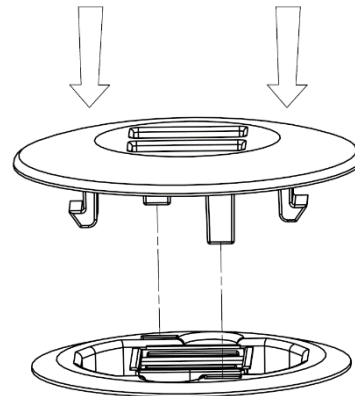
STEP 3 – TIGHTEN SCREWS

Screw through the plastic housing and clamps so that they rotate out of the housing. Tighten screws until assembly clamps down and is secure. The clamps will grip into underside of desk. **HAND TIGHTEN ONLY.**



STEP 4 – CLIP ON COVER

Align guide and clips on the underside of the cover with provisions in housing.
Secure the top cover and pushing down above where the clips are positioned.



STEP 5 – POWER DEVICE

Plug in power supply to the underside of the assembly.

