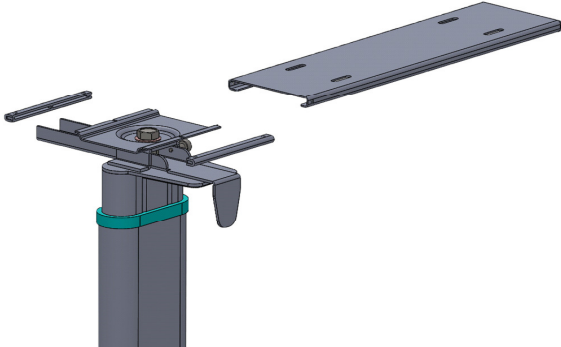
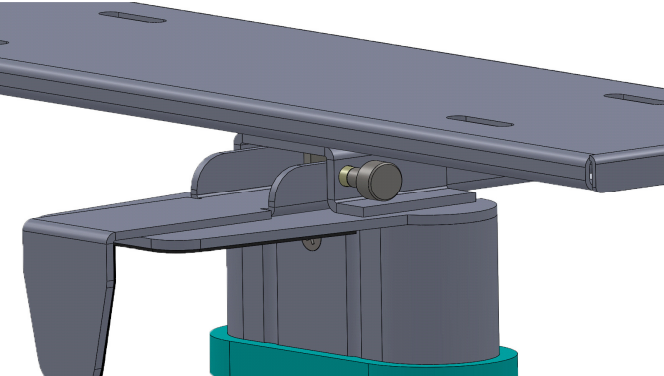
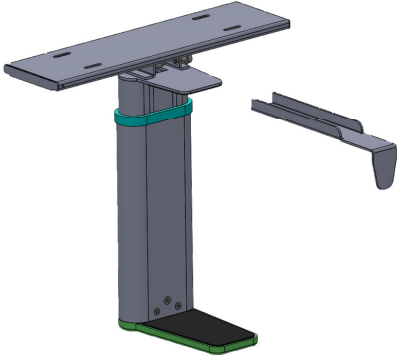
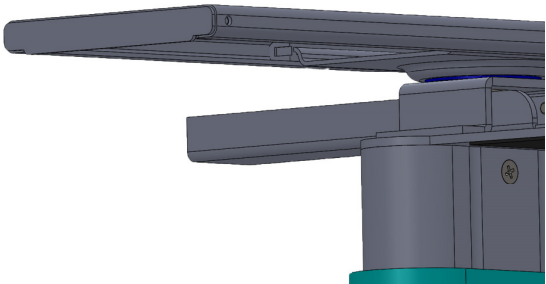
	<p>1. Secure mounting plate to the underside of desk using screws provided</p>
	<p>2. Attach plastic slide rails to swivel unit and slide CPU holder into mounting plate.</p>
	<p>3. Use adjusting screw to remove CPU side support holder</p>
	<p>4. Fit CPU by pulling bottom section of holder open to the required size, then insert CPU side support holder and use adjusting screw to fit CPU in place.</p>
	<p>5. Fit plastic end-cap securely into mounting plate</p>