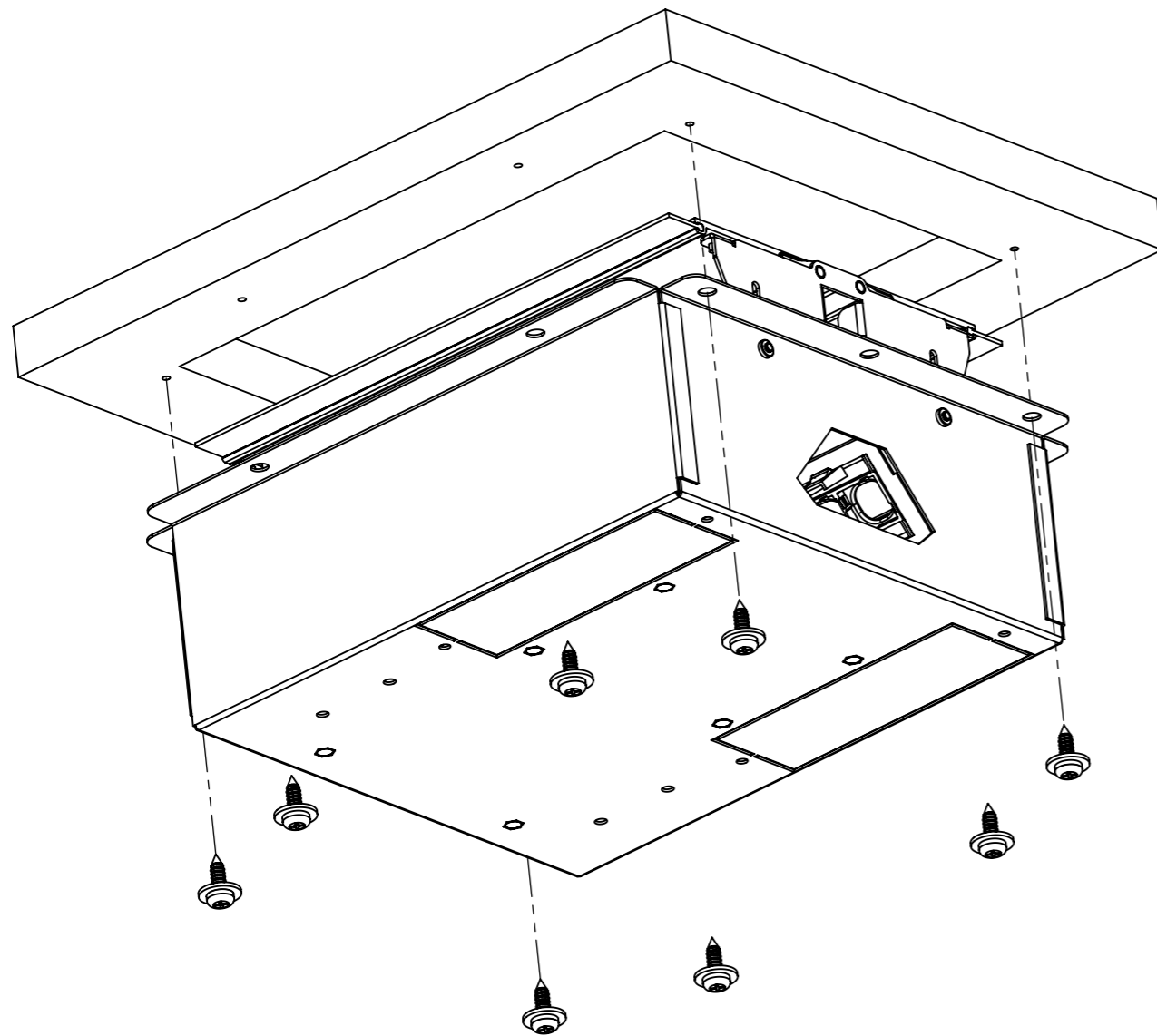


Type: Executive

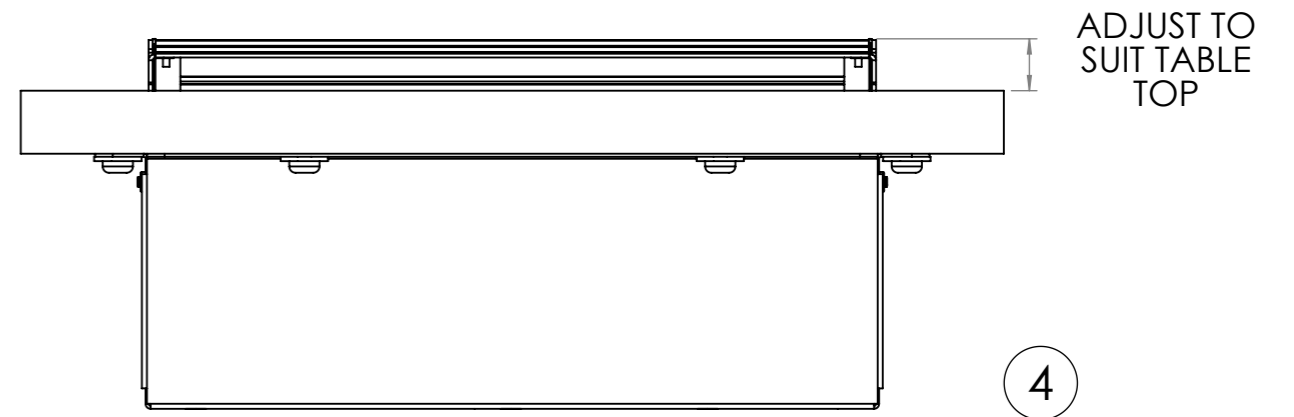
Desk Box Application



1

2

3



STEP 1: CREATE CUT-OUT IN TABLE TOP TO SUIT SPECIFIC BOX

STEP 2: INSTALL BOX FROM UNDERNEATH TABLE TOP

STEP 3: INSTALL 1 (ONE) SCREW + WASHER AND LINE UP BOX IN CUT-OUT

INSTALL 1 (ONE) SCREW + WASHER ON OPPOSITE SIDE AND LINE UP BOX IN CUT-OUT

INSTALL REMAINING SCREWS WITH WASHERS

STEP 4: ADJUST LID HEIGHT TO SUIT TABLE TOP VIA THE 4 INTERNAL SCREWS (2 AT EACH END ON THE SLOTTED S/STEEL PLATE)