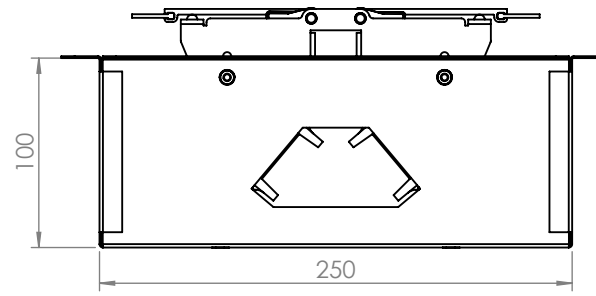
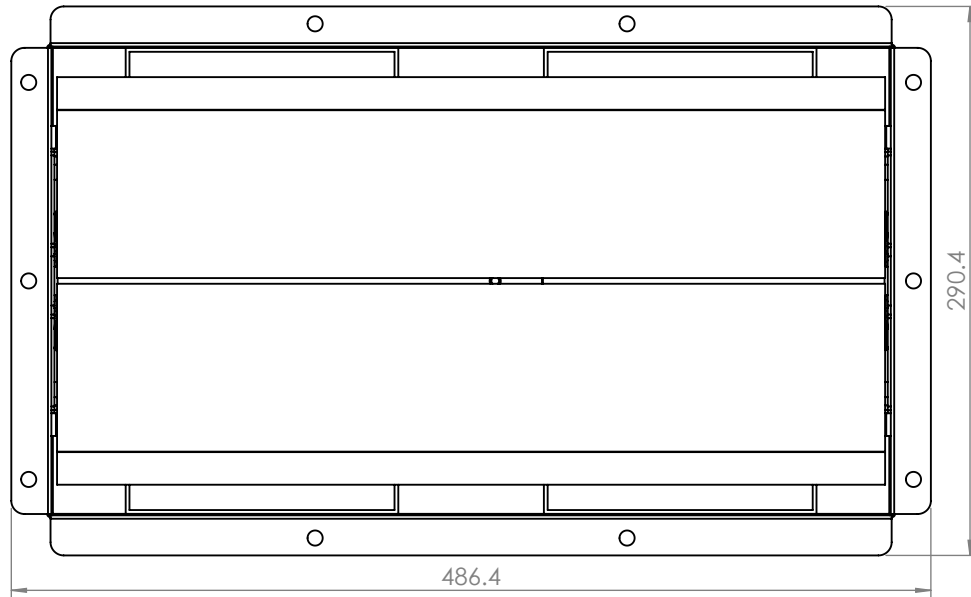
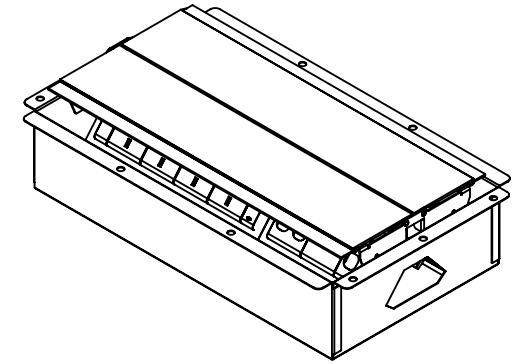


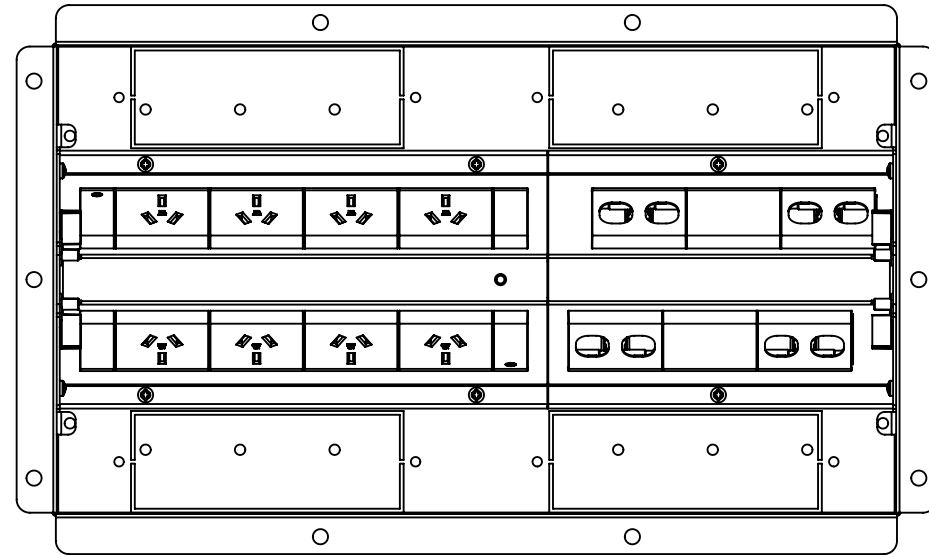
FRONT VIEW



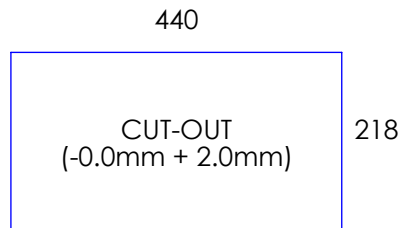
END VIEW



TOP VIEW



TOP VIEW
NO LIDS



REVISION HISTORY

N.	DATE	MODIFICATIONS
1	13/11/12	ISSUED FOR EVALUATION
2		
3		
4		
5		
6		
7		
8		
9		
10		
11		
12		
13		

UNLESS OTHERWISE SPECIFIED:
DIMENSIONS ARE IN MILLIMETERS
TOLERANCES
0.00 ± 0.02 ANGULAR ± 0.5°
0.0 ± 0.1
0 ± 0.5
DIMENSIONS IN AN OBOUND ARE CRITICAL & MUST BE CHECKED

THE MATERIAL CONTAINED HEREIN IS THE SOLE PROPERTY OF CMS ELECTRACOM. ANY UNAUTHORIZED REPRODUCTIONS, MODIFICATIONS AND / OR DISTRIBUTION IS STRICTLY PROHIBITED.

NAME	DATE
LUCKY	13/11/12
MATERIAL:	X
FINISH:	X
FILE ON SHARED\CAD:	x
FILE ON NAS:	x

DO NOT SCALE DRAWING

REVISION 1



TITLE:
EX20808SL

DWG NO.	X	A4
PART NO.	TBC	
SCALE	1:4	SHEET 1 OF 1