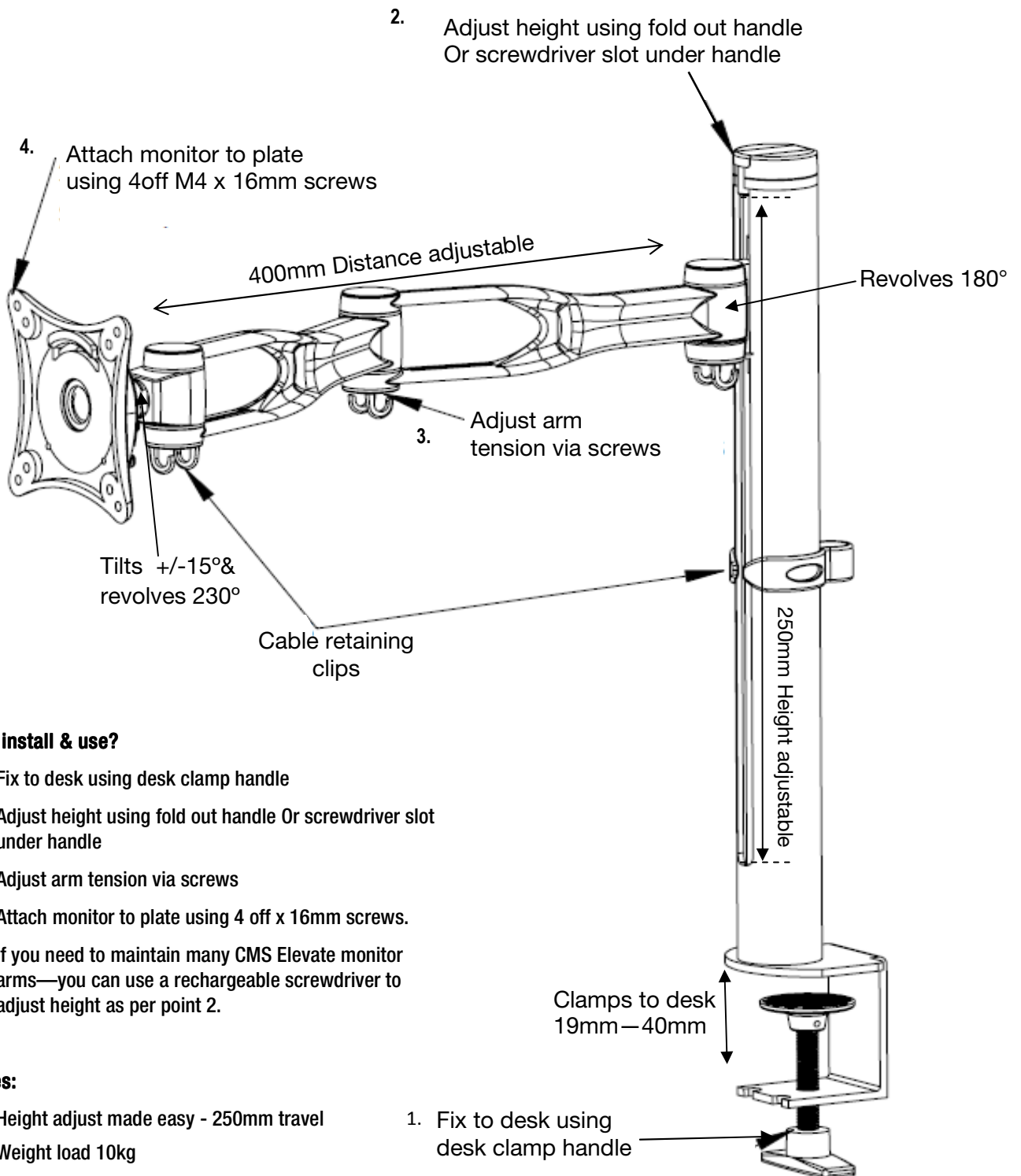


Operation Guide

CMS Elevate single clamp on monitor arm with 2 x limbs & plate



How to install & use?

1. Fix to desk using desk clamp handle
2. Adjust height using fold out handle Or screwdriver slot under handle
3. Adjust arm tension via screws
4. Attach monitor to plate using 4 off x 16mm screws.
5. If you need to maintain many CMS Elevate monitor arms—you can use a rechargeable screwdriver to adjust height as per point 2.

Features:

- Height adjust made easy - 250mm travel
- Weight load 10kg
- Fixed post height 530mm
- Arm length 500mm from post to screen
- Integral cable management