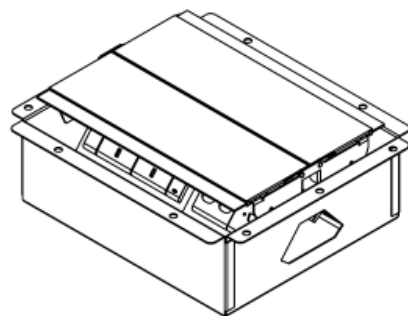
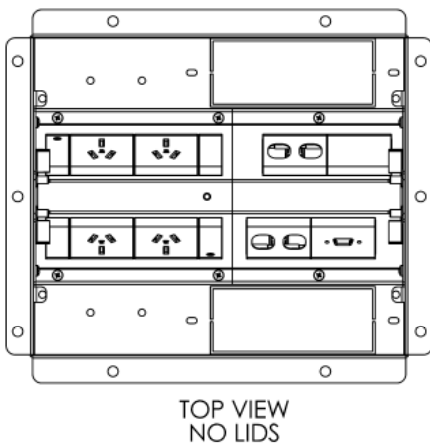
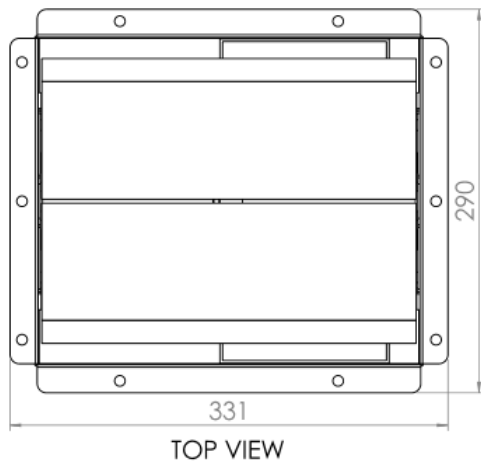
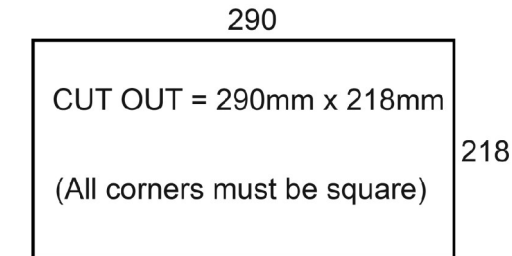


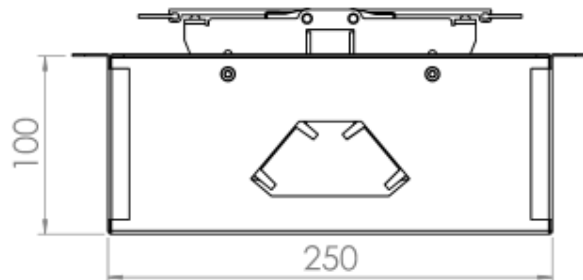
In Desk Box Application

Type: Executive - Dual Lid

Part No: EX20404SL



FRONT VIEW



END VIEW

STEP 1: CREATE CUT OUT IN TABLE TO SUIT SPECIFIC BOX

STEP 2: POSITION BOX INTO CUTOUT

STEP 3: FIT BRACKET TO PERFORATIONS ON UNDERSIDES AND FIT BOX TO TOP

NOTE: GENERAL PURPOSE OUTLETS MOUNTING PLATES MUST ONLY BE ACCESSED BY A QUALIFIED ELECTRICIAN

FOR MORE INFORMATION GO TO:

www.cmselectra.com