

FB Series

Low-Profile Floor Box (60mm Deep)

The stylish new Madera floor outlet box is designed for use in timber floor applications. The unit is fitted The CMS Apollo floorbox has been designed for maximum flexibility to suit client requirements, with standard off the shelf component catering for most applications. Incorporated in the lid is an easy grab lifting handle and an oversized cable exit cap. The oversize exit cap ensures all cords exiting are contained within.

A bevelled edge carpet frame and 7mm carpet recessed lid are moulded in hard wearing, high impact poly carbonate / ABS blend polyimide with a 2.5mm galvanised steel plate fitted into the lid makes this one of the toughest boxes yet. The carcass and mounting plate are constructed from powder coated steel producing a long lasting robust unit. Multi directional lid comes as standard in soft grey with other colours available on request (MOQ apply). Behind our communication mounting plates is a 50mm cavity catering for popular AV and communication requirements.

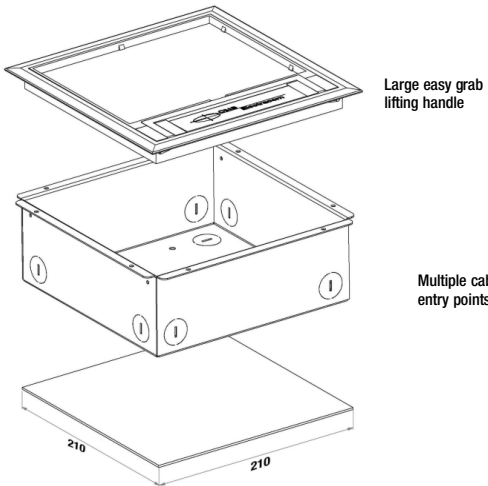


Key Features

- » Available in 2, 3 and 4 compartment options
- » Extra large cable exit flap
- » Easy grab lifting handle
- » Multiple cable entry points
- » Increased capacity for AV & Data
- » 50mm deep data cable cavity

CUT OUT SIZES:

- » FB2 FLOORBOX - 210mm x 210mm
- » FB3 FLOORBOX - 261mm x 210mm
- » FB4 FLOORBOX - 345mm x 225mm

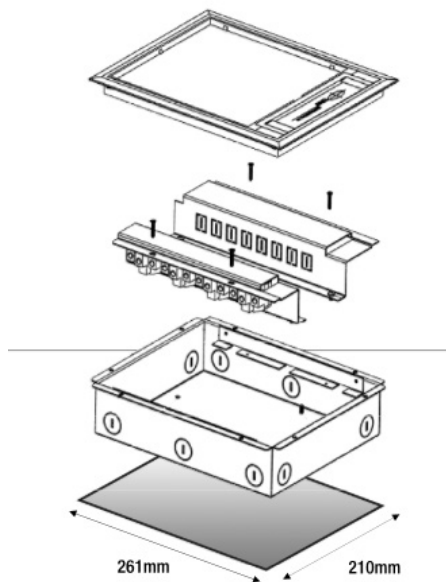


APOLLO FB2 COMPARTMENT

DEPTH	PART NO
60mm	FB2060**

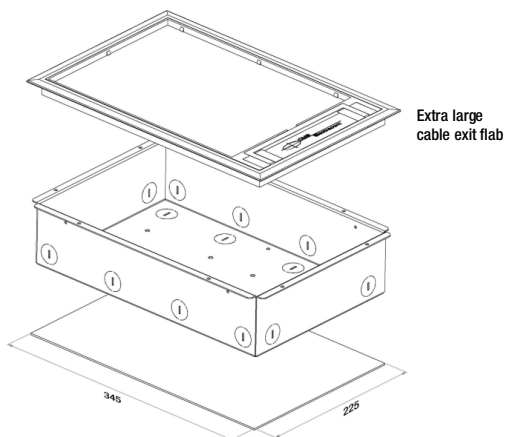
APOLLO FB3 COMPARTMENT

DEPTH	PART NO
60mm	FB3060**



APOLLO FB4 COMPARTMENT

DEPTH	PART NO
60mm	FB4060**



ORDERING INFORMATION - 2 COMPARTMENT GPO MOUNTING PLATE & STARTER SOCKETS



FBP2602

DESCRIPTION	60 DEEP
M/Plate with 2 x 10amp auto switch GPO	FBP2602
M/Plate with 3 x 10amp auto switch GPO	FBP2603
M/Plate with single starter	FBP260ST1
M/Plate with double starter	FBP260ST2

ORDERING INFORMATION - 2 COMPARTMENT DATA MOUNTING PLATE & AV



FBD2602

DESCRIPTION	60 DEEP
M/Plate with provision for 2 x Data	FBD2602
M/Plate with provision for 4 x Data	FBD2604
Blank mounting plate 150mm x 41.5mm opening	FBD2600
2 Comp AAP Plate - provision only	FBD260AA

Ordering Information - 3 Compartment GPO Mounting Plate & Starter Sockets



FBP360ST1

DESCRIPTION	60 DEEP
FB3 Short Plate f/w 2 x10A Auto GPO suit 60mm CMS F/Box	FBP3602
FB3 Plate f/w 4 x10A Auto GPO suit 60mm CMS F/Box	FBP3604
FB3 Plate f/w Single Starter to suit 60mm CMS F/Box - 4x Data Provision	FBP360ST1

Ordering Information - 3 Compartment Data Mounting Plate & AV

DESCRIPTION	60 DEEP
FB3 Plate 4 x Keystone Data and AV Prov suit 60mm CMS F/Box.	FBD3604K/AV
FB3 Plate Prov 5 Data suit 60mm CMS F/Box.	FBD3605
FB3 Plate 8 x Keystone Data Prov only suit 60mm CMS F/Box.	FBD3608K

ORDERING INFORMATION - 4 COMPARTMENT GPO
MOUNTING PLATE & STARTER SOCKETS



FBP460ST2

DESCRIPTION	60 DEEP
M/Plate with 4 x 10amp auto switch GPO	FBP4604
M/Plate with 6 x 10amp auto switch GPO	FBP4606
M/Plate with single starter	FBP460ST1
M/Plate with double starter	FBP460ST2
M/Plate with single starter & 2 x 10amp auto switch GPO	FBP460SP

ORDERING INFORMATION - 4 COMPARTMENT DATA
MOUNTING PLATE & AV



FBD4604

DESCRIPTION	60 DEEP
M/Plate with provision for 4 x Data	FBD4604
M/Plate with provision for 6 x Data	FBD4606
M/Plate with provision for 8 x Data	FBD4608
Blank mounting plate 300 x 41.5mm opening	FBD4600
4 Comp dual AAP plate - provision only	FBD460AA

ADDITIONAL PARTS

FBHNDL**

Replacement Apollo FB floorbox handle kit