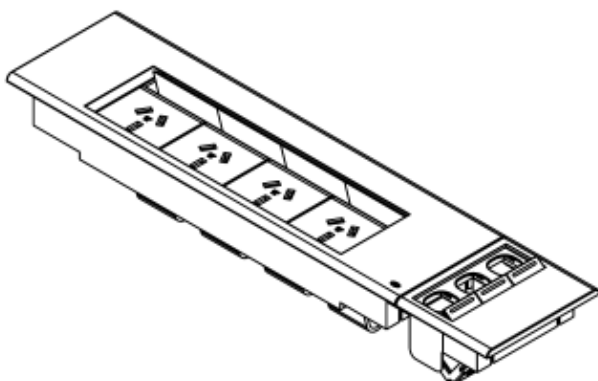
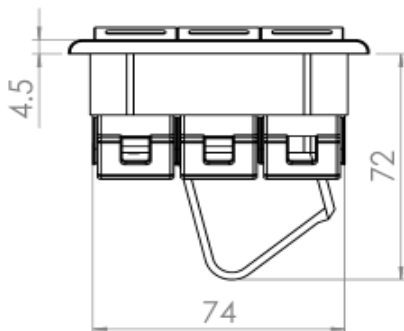
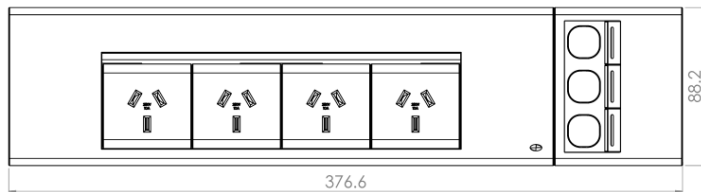
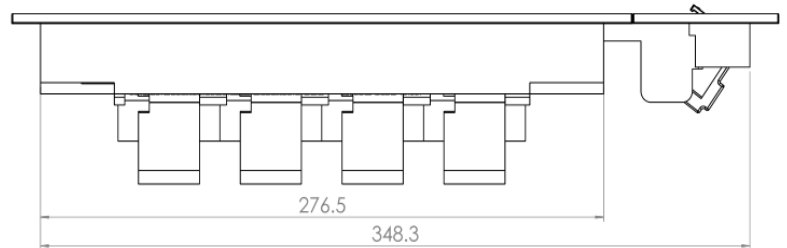
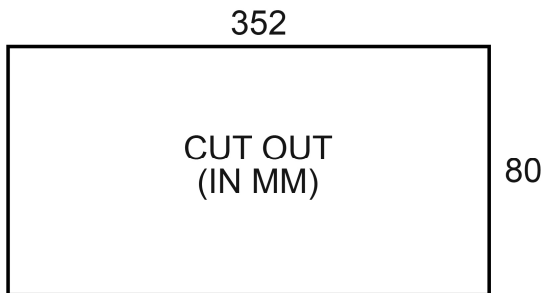


In Desk Box Application

Type: Flip Surface Mount - 4 x GPO, Provision 3 x Flip Data

Part No: FS04F3**



STEP 1: CREATE CUT OUT IN TABLE TO SUIT SPECIFIC BOX

STEP 2: POSITION BOX INTO CUTOUT

STEP 3: REMOVE TOP COVER FROM THE FLIP UNIT

STEP 4: DRILL PILOT HOLES (2 AT EACH END)

STEP 5: SCREW FIX FLIP UNIT INTO PLACE WITH THE SCREWS PROVIDED

STEP 6: CLIP TOP COVER PLATE BACK ON

FOR MORE INFORMATION GO TO:

www.cmselectra.com