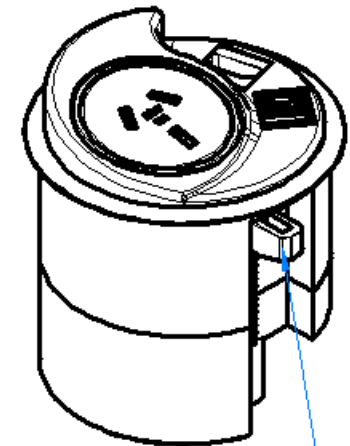
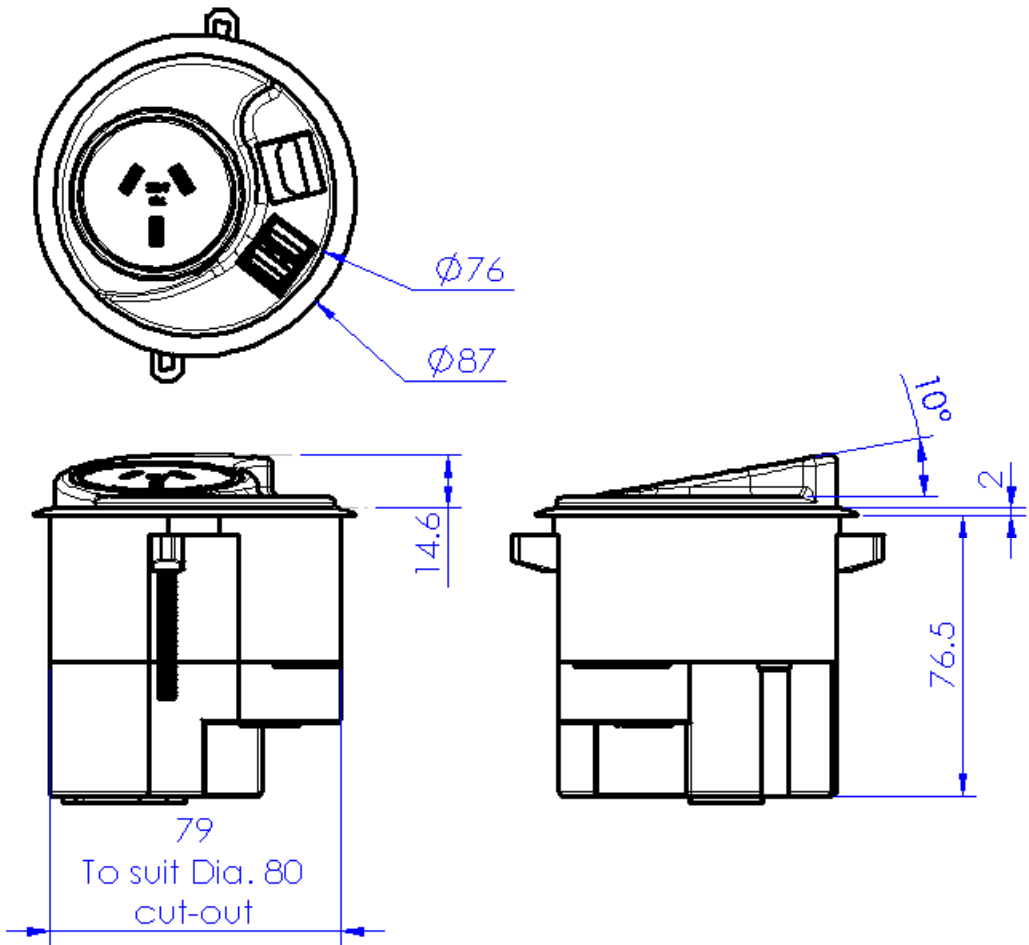


1	released	18/11/2015	AP	
REV	DESCRIPTION	DATE	DRWN	APPV
REVISIONS				



SCREW TIGHTENED
DESK CLAMPS

SCALE 1:2	SHEET 1 OF 1	MATERIAL: P.C	 CMS Electracom COPYRIGHT © 2015	TITLE: KONEXUS 4.2A USB	
DIM. IN mm TO AS1100 DO NOT SCALE		FINISH: FINE EDM		TOLERANCES UNLESS NOTED OTHERWISE: X ±0.5 X.X ±0.2 X.XX ±0.1 X.XXX ±0.05	DRAWING: 1118445
THIS DRAWING & ASSOCIATED CAD FILES ARE ISSUED IN THE STRICTEST CONFIDENCE AND ARE ONLY TO BE USED FOR COMMERCIAL INTERESTS			COLOUR: WHITE		A4