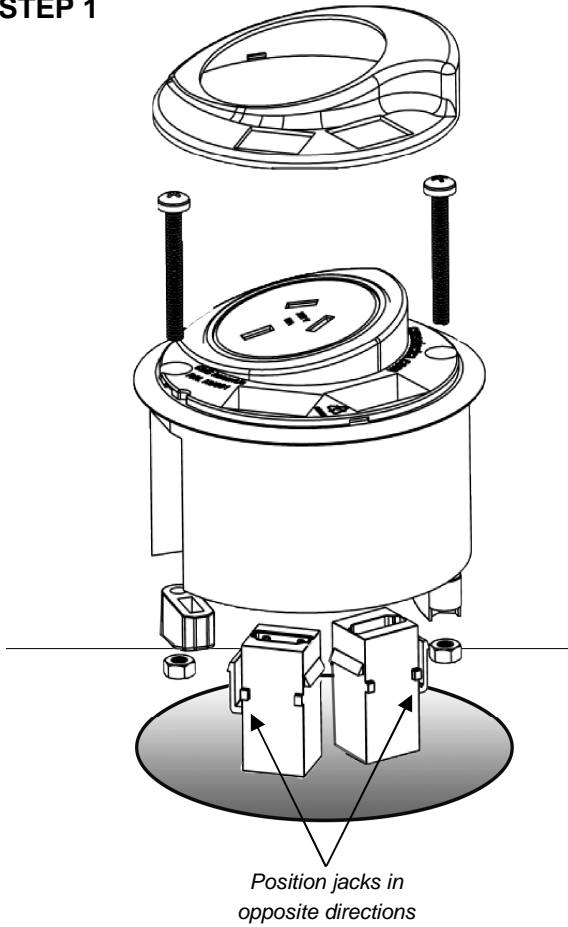


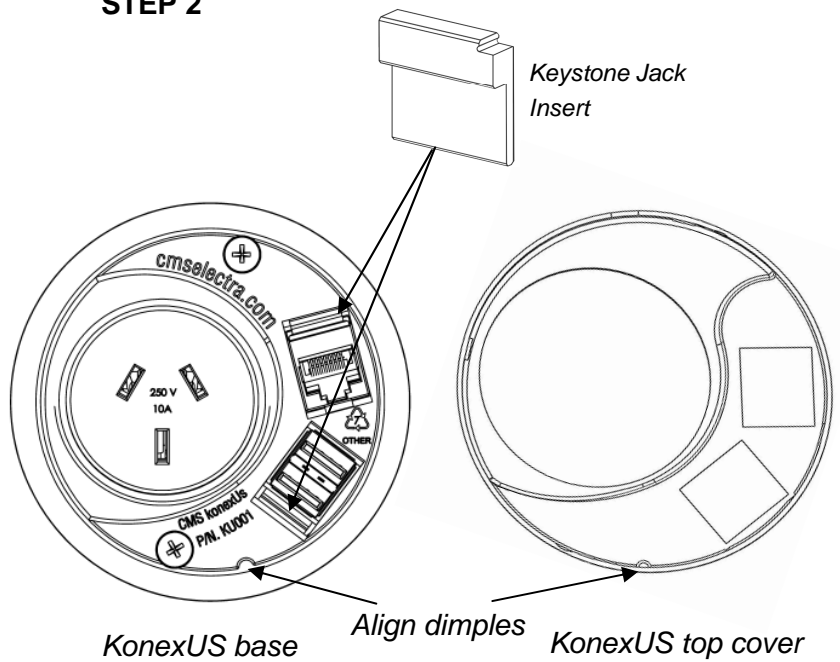
KonexUS Indesk Application

Part# KU01**

STEP 1



STEP 2

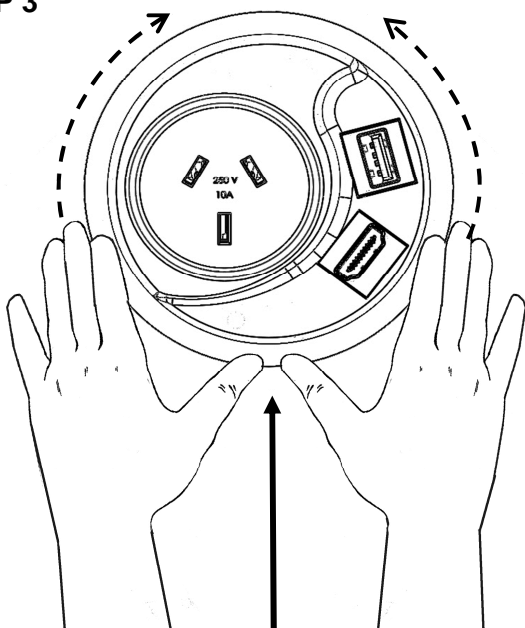


STEP 1: Insert Konexus unit into an 80mm dia. Cut out in the desk top, connecting all data requirements and softwiring power lead. Make sure Keystone jacks are positioned in **opposite** directions from each other. Tighten screws until the unit is secure. **DO NOT OVER TIGHTEN.**

STEP 2: An insert for the Keystone Jack is supplied and is to be inserted as above diagram (as per step 2 diagram). Then line up the dimple on the top cover with the corresponding dimple on the Konexus base unit.

STEP 3: Secure the top cover by pushing down over the dimple area at the front, while pushing down roll thumbs around the cover to secure in place. Only secure the cover when the position of the unit is correct.

STEP 3



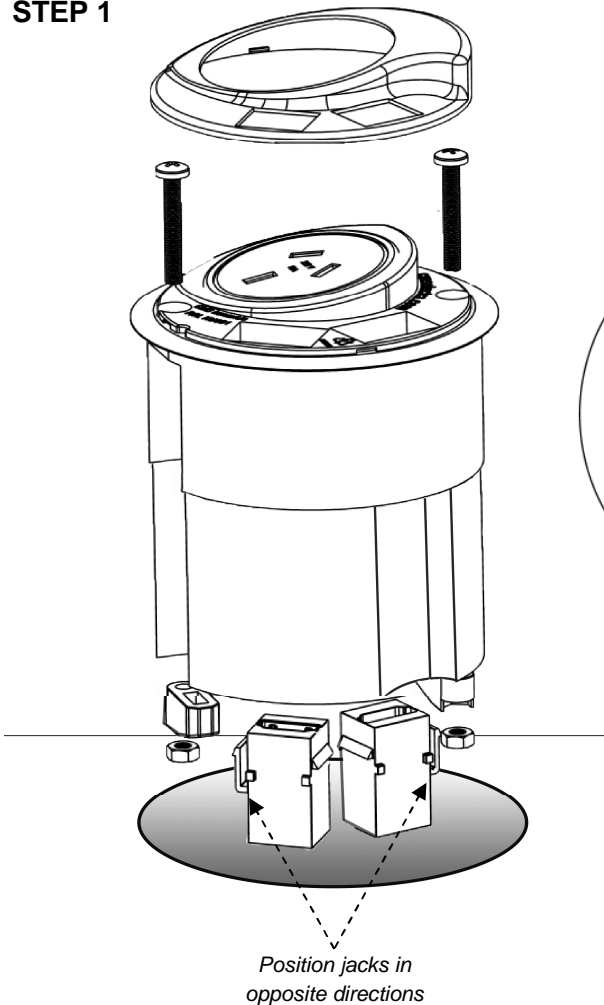
FOR MORE INFORMATION GO TO:

www.cmselectra.com

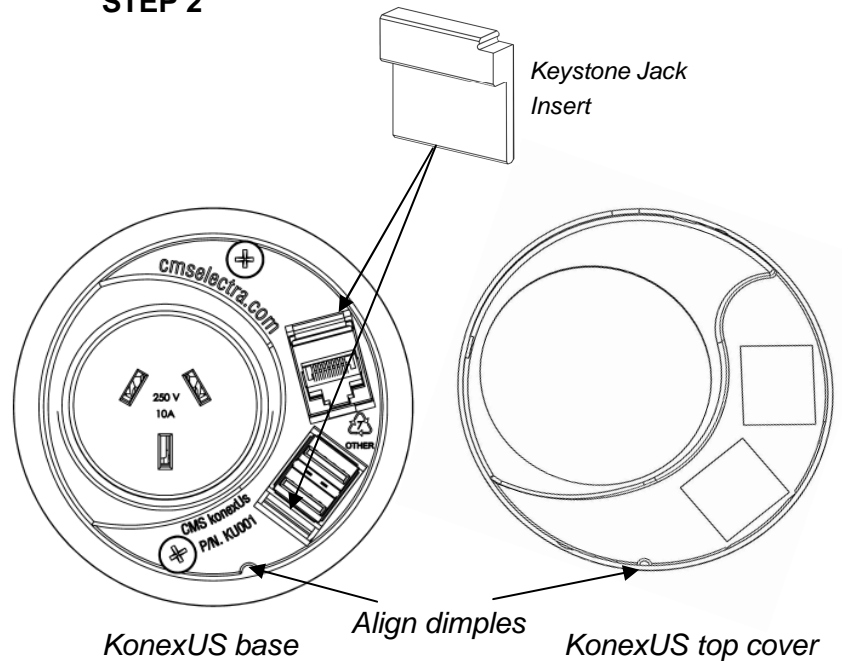
KonexUS Indesk Application

Part# KU01UD & KUG15U

STEP 1



STEP 2



STEP 1: Insert Konexus unit into an 80mm dia. Cut out in the desk top, connecting all data requirements and softwiring power lead. Make sure Keystone jacks are positioned in **opposite** directions from each other. Tighten screws until the unit is secure. **DO NOT OVER TIGHTEN.**

STEP 2: An insert for the Keystone Jack is supplied and is to be inserted as above diagram (as per step 2 diagram). Then line up the dimple on the top cover with the corresponding dimple on the Konexus base unit.

STEP 3: Secure the top cover by pushing down over the dimple area at the front, while pushing down roll thumbs around the cover to secure in place. Only secure the cover when the position of the unit is correct.

Note: Konexus powered USB unit depth is 108mm

FOR MORE INFORMATION GO TO:
www.cmselectra.com

STEP 3

