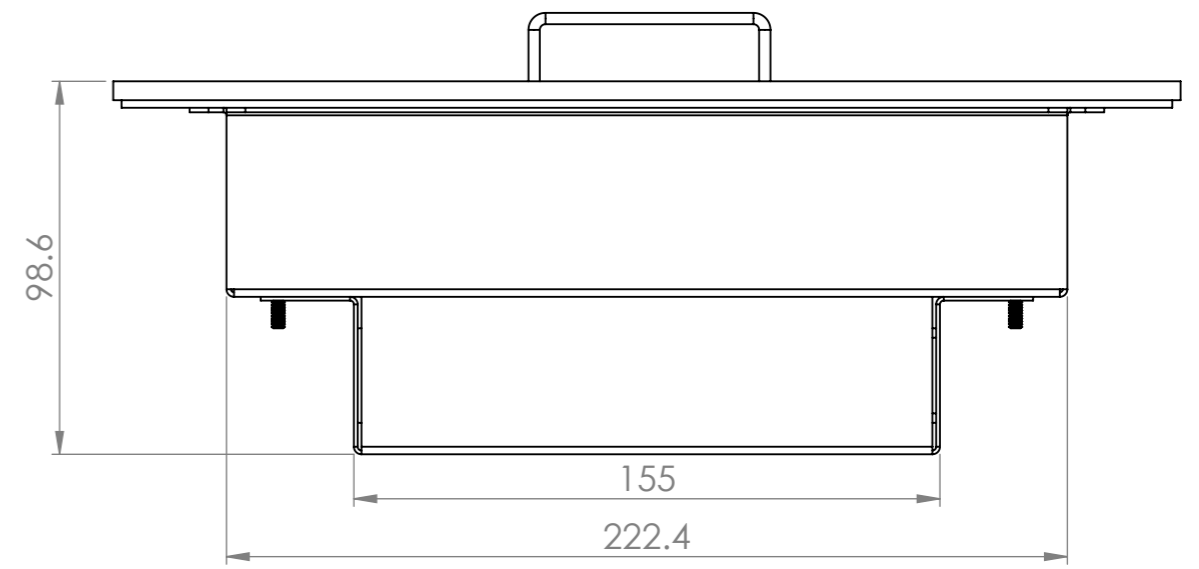
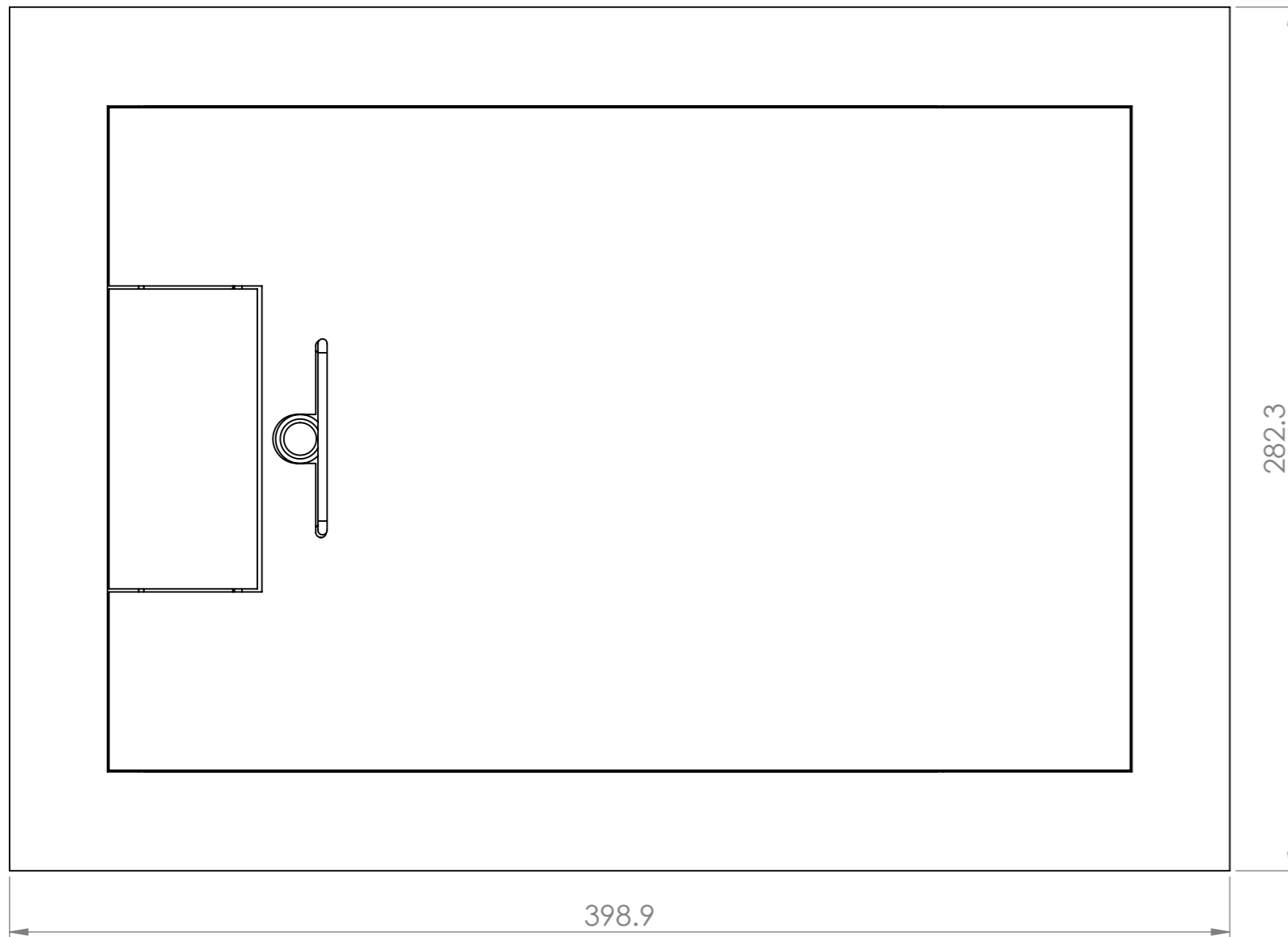


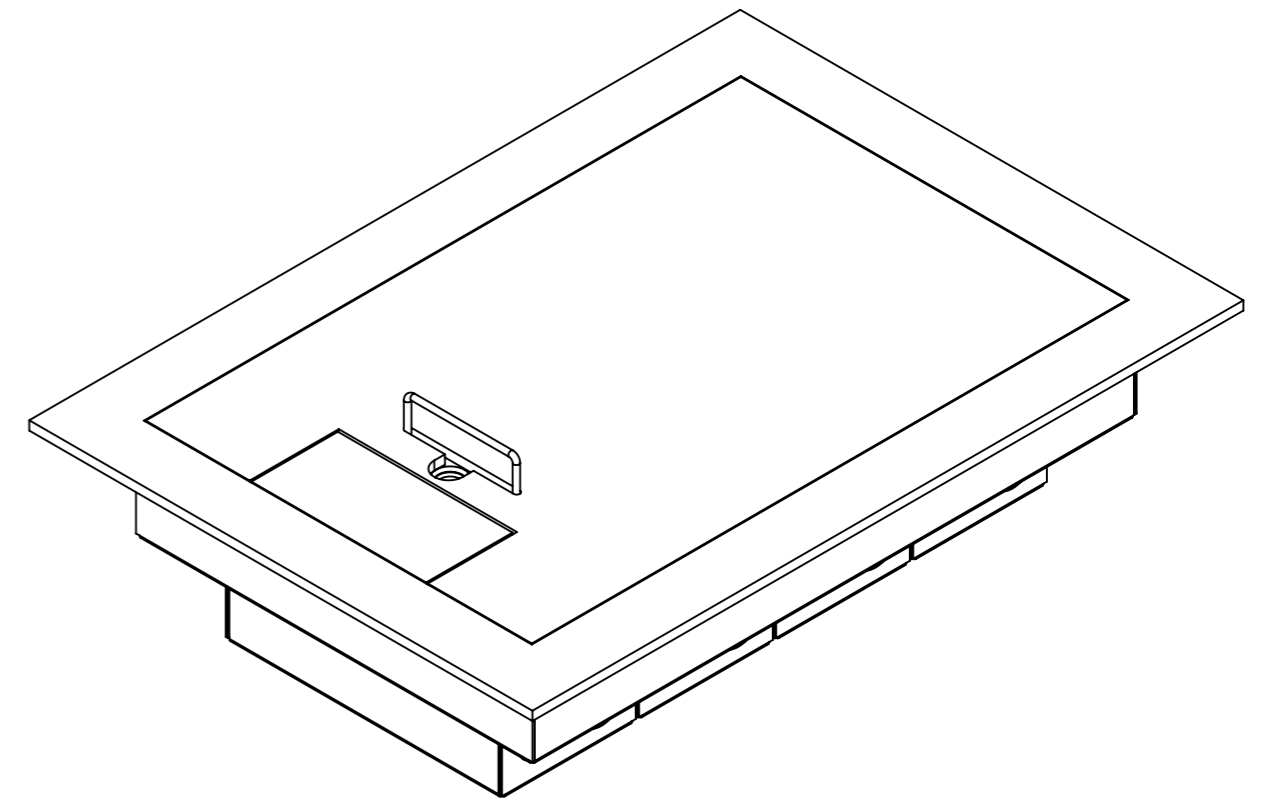
FRONT VIEW




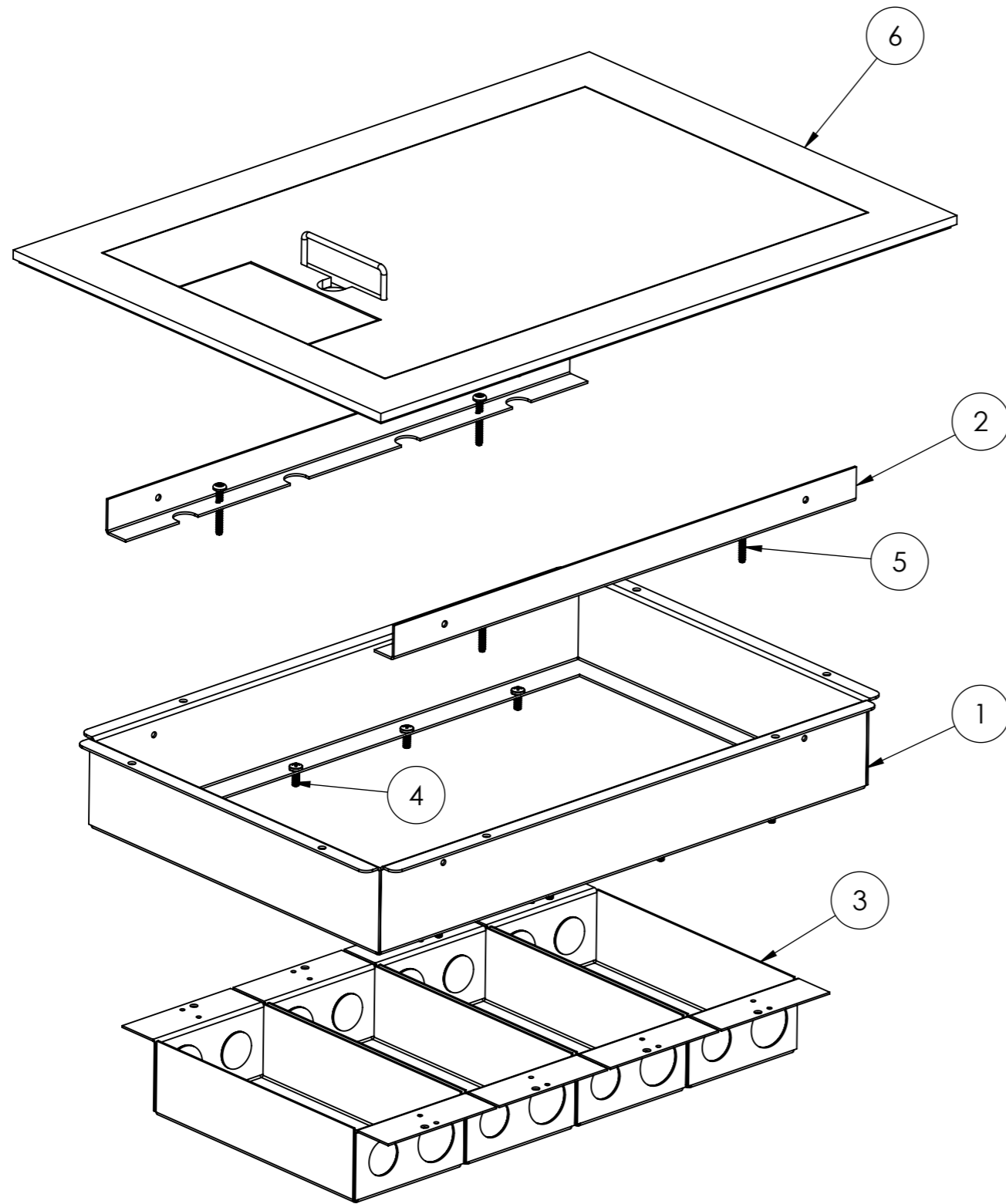
END VIEW




TOP VIEW



REVISION HISTORY		UNLESS OTHERWISE SPECIFIED: DIMENSIONS ARE IN MILLIMETERS		DO NOT SCALE DRAWING		REVISION 1							
N.	DATE	MODIFICATIONS		TOLERANCES									
1	23/01/12	ISSUED FOR MANUFACTURING		0.00 ± 0.02 ANGULAR ± 0.5° 0.0 ± 0.1 0 ± 0.5									
2				DEBUR AND BREAK SHARP EDGES		TITLE: <b>Rhino</b> <b>4 compartment 90mm deep</b>							
3				THE MATERIAL CONTAINED HEREIN IS THE SOLE PROPERTY OF CMS ELECTRACOM. ANY UNAUTHORIZED REPRODUCTIONS, MODIFICATIONS AND / OR DISTRIBUTION IS STRICTLY PROHIBITED.									
4				<table border="1"> <thead> <tr> <th>NAME</th> <th>DATE</th> </tr> </thead> <tbody> <tr> <td>LUCKY</td> <td>23/01/12</td> </tr> </tbody> </table>		NAME	DATE	LUCKY	23/01/12	DWG NO. LU-3051 PART NO. RF4090SS SCALE 1:2 SHEET 1 OF 2			
NAME	DATE												
LUCKY	23/01/12												
5				<table border="1"> <tbody> <tr> <td>MATERIAL:</td> <td>X</td> </tr> <tr> <td>FINISH:</td> <td>X</td> </tr> <tr> <td>FILE ON SHARED\CAD:</td> <td></td> </tr> <tr> <td>FILE ON NAS:</td> <td>Z:\Work files\Floor boxes\CMS floor box\Production\rhino\FB2</td> </tr> </tbody> </table>		MATERIAL:	X	FINISH:	X	FILE ON SHARED\CAD:		FILE ON NAS:	Z:\Work files\Floor boxes\CMS floor box\Production\rhino\FB2
MATERIAL:	X												
FINISH:	X												
FILE ON SHARED\CAD:													
FILE ON NAS:	Z:\Work files\Floor boxes\CMS floor box\Production\rhino\FB2												
6						A3							
7													
8													
9													
10													
11													
12													
13													



ITEM NO.	PART NUMBER	QTY.
1	LU2415_V1_CMS Floor box CL90 large undercarriage	1
2	LU2878_V1_FB4 support bracket	2
3	Original accessory box	4
4	6G x 3/8" pan head screw blind (P/N 7021603)	8
5	6G x 1" pan head screw blind	4
6	LU2558_V3_CMS FB4 HD	1

REVISION HISTORY		UNLESS OTHERWISE SPECIFIED: DIMENSIONS ARE IN MILLIMETERS		DO NOT SCALE DRAWING		REVISION 1					
N.	DATE	MODIFICATIONS		TOLERANCES							
1	23/01/12	ISSUED FOR MANUFACTURING		0.00 ± 0.02 ANGULAR ± 0.5° 0.0 ± 0.1 0 ± 0.5							
2				DEBUR AND BREAK SHARP EDGES		TITLE: <b>Rhino</b> <b>4 compartment 90mm deep</b>					
3				THE MATERIAL CONTAINED HEREIN IS THE SOLE PROPERTY OF CMS ELECTRACOM. ANY UNAUTHORIZED REPRODUCTIONS, MODIFICATIONS AND / OR DISTRIBUTION IS STRICTLY PROHIBITED.							
4				<table border="1"> <thead> <tr> <th>NAME</th> <th>DATE</th> </tr> </thead> <tbody> <tr> <td>LUCKY</td> <td>23/01/12</td> </tr> </tbody> </table>		NAME	DATE	LUCKY	23/01/12	DWG NO. LU-3051 PART NO. RF4090SS SCALE N/A SHEET 2 OF 2	
NAME	DATE										
LUCKY	23/01/12										
5				<table border="1"> <thead> <tr> <th>MATERIAL:</th> <th>FINISH:</th> </tr> </thead> <tbody> <tr> <td>X</td> <td>X</td> </tr> </tbody> </table>		MATERIAL:	FINISH:	X	X		
MATERIAL:	FINISH:										
X	X										
6				FILE ON SHARED\CAD: H:\Melbourne\CAD\Current Production Drawings		A3					
7				FILE ON NAS: Z:\Work files\Floor boxes\CMS floor box\Production\Rhino\FB2							
8											
9											
10											
11											
12											
13											