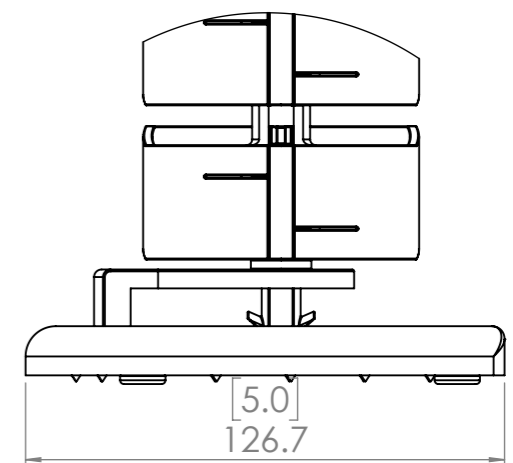



DETAIL A  
SCALE 1 : 2



DETAIL B  
SCALE 1 : 2

REV	DESCRIPTION	DATE	DRWN	APPV
2	DIMENSIONS ADDED TO FIXING BRACKET	10/7/2024	JB	AP
1	RELEASED	30/5/2019	JC	AP
REVISIONS				

<b>CUSTOMER SIGNATURE:</b>	<b>TOLERANCES UNLESS OTHERWISE STATED:</b>  X ±0.5 X.X ±0.2 X.XX ±0.1 X.XXX ±0.05 ANG ±0.5°	
<b>MATERIAL:</b>		PC
<b>FINISH:</b>		
<b>COLOUR:</b>		VARIOUS
THIS DRAWING & ASSOCIATED CAD FILES ARE ISSUED IN THE STRICTEST CONFIDENCE AND ARE ONLY TO BE USED IN THE COMMERCIAL INTERESTS OF CMS ELECTRACOM PTY LTD		DRAWN IN mm TO AS1100 DO NOT SCALE

 <b>CMS Electracom</b>		COPYRIGHT © 2015
<b>TITLE:</b> AXESS SECTION FLOOR TO DESK KIT		
<b>DRAWING:</b> LU31327	<b>REV:</b> 2	<b>A3</b>
SCALE 1:4	SHEET 1 OF 1	