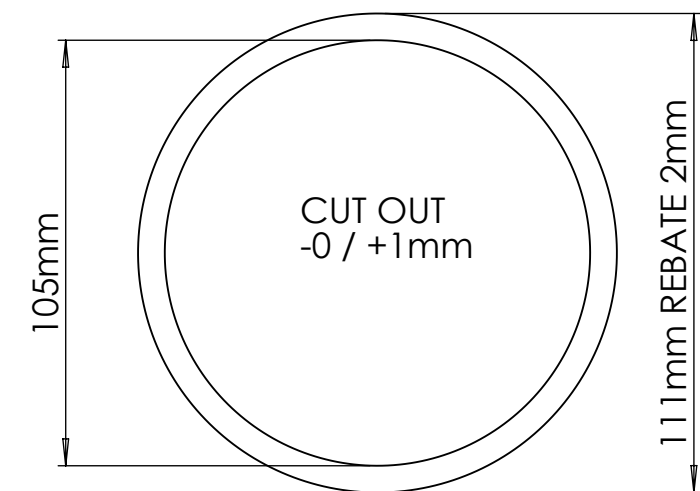


CUT OUT
USE 105MM HOLES SAW
AND 111MM HOLE SAW (REBATE 2MM)



1	RELEASED FOR PRODUCTION	9/10/2020	AP	JC
REV	DESCRIPTION	DATE	DRWN	APPV
REVISIONS				

CUSTOMER SIGNATURE:
MATERIAL: BRASS / M.S
FINISH: MACHINED
COLOUR:
THIS DRAWING & ASSOCIATED CAD FILES ARE ISSUED IN THE STRICTEST CONFIDENCE AND ARE ONLY TO BE USED IN THE COMMERCIAL INTERESTS OF CMS ELECTRACOM PTY LTD

TOLERANCES UNLESS OTHERWISE STATED:

X ±0.5
X.X ±0.2
X.XX ±0.1
X.XXX ±0.05
ANG ±0.5°

DRAWN IN mm TO AS1100 DO NOT SCALE



CMS Electracom COPYRIGHT © 2020

TITLE:
MADERA BUTT EDGE WOOD INSERT
MINI SCREED BOX

DRAWING: LU5782	REV: 1	A3
SCALE 1:2	SHEET 1 OF 2	