
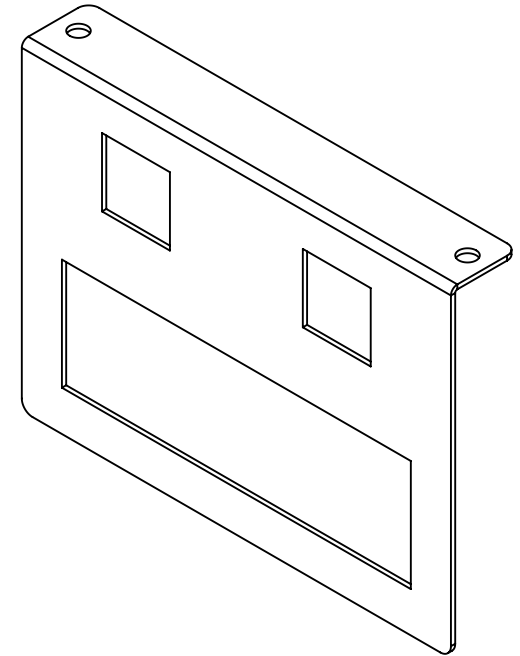
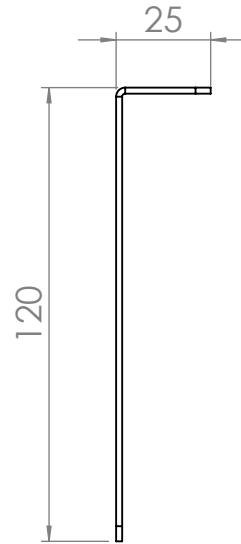
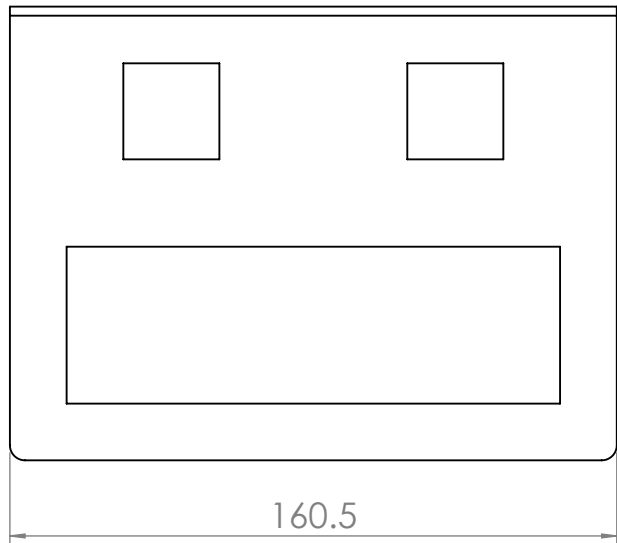



REVISION HISTORY		UNLESS OTHERWISE SPECIFIED: DIMENSIONS ARE IN MILLIMETERS		DO NOT SCALE DRAWING		REVISION 1	
DATE	MODIFICATIONS	TOLERANCES					
06/03/13	ISSUED FOR MANUFACTURING	0.00 ± 0.02	ANGULAR ± 0.5°				
		0.0 ± 0.1		TITLE: MB180202			
		0 ± 0.5					
		DIMENSIONS IN AN OBOUND ARE CRITICAL & MUST BE CHECKED		DWG NO. LU-4800 DRAWN BY X			
		THE MATERIAL CONTAINED HEREIN IS THE SOLE PROPERTY OF CMS ELECTRACOM. ANY UNAUTHORIZED REPRODUCTIONS, MODIFICATIONS AND / OR DISTRIBUTION IS STRICTLY PROHIBITED.					
		NAME	DATE	PART NO. X CHECKED BY X			
		LUCKY	06/03/13				
		MATERIAL: 1.6mm Steel		SCALE 1:2 SHEET 1 OF 2			
		FINISH: Powder coat Precious silver pearl					
		FILE ON SHARED\CAD:		A4			
		H:\Melbourne\CAD\Current Production Drawings					
		FILE ON NAS:					
		Z:\Work files\Under desk brackets\MB180203					



REVISION HISTORY		UNLESS OTHERWISE SPECIFIED: DIMENSIONS ARE IN MILLIMETERS		DO NOT SCALE DRAWING		REVISION 1	
DATE	MODIFICATIONS	TOLERANCES					
06/03/13	ISSUED FOR MANUFACTURING	0.00 ± 0.02	ANGULAR ± 0.5°				
		0.0 ± 0.1		TITLE: MB180202			
		0 ± 0.5					
		DIMENSIONS IN AN OBOUND ARE CRITICAL & MUST BE CHECKED		DWG NO. LU-4800			
		THE MATERIAL CONTAINED HEREIN IS THE SOLE PROPERTY OF CMS ELECTRACOM. ANY UNAUTHORIZED REPRODUCTIONS, MODIFICATIONS AND / OR DISTRIBUTION IS STRICTLY PROHIBITED.					
		NAME	DATE	PART NO. X			
		LUCKY	06/03/13				
		MATERIAL: 1.6mm Steel		CHECKED BY X			
		FINISH: Powder coat Precious silver pearl					
		FILE ON SHARED\CAD: H:\Melbourne\CAD\Current Production Drawings		SHEET 2 OF 2			
		FILE ON NAS: Z:\Work files\Under desk brackets\MB180203					
				SCALE 1:2			
				A4			