

CUSTOMER SIGNATURE:	
MATERIAL:	POLYCARBONATE
FINISH:	FINE EDM
COLOUR:	WHITE
THIS DRAWING & ASSOCIATED CAD FILES ARE ISSUED IN THE STRICTEST CONFIDENCE AND ARE ONLY TO BE USED IN THE COMMERCIAL INTERESTS OF CMS ELECTRACOM PTY LTD	

TOLERANCES UNLESS OTHERWISE STATED:

- X ±0.5
- X.X ±0.2
- X.XX ±0.1
- X.XXX ±0.05
- ANG ±0.5°

DRAWN IN mm TO AS1100 DO NOT SCALE



TITLE:
POP UP DESKBOX 2 GPO

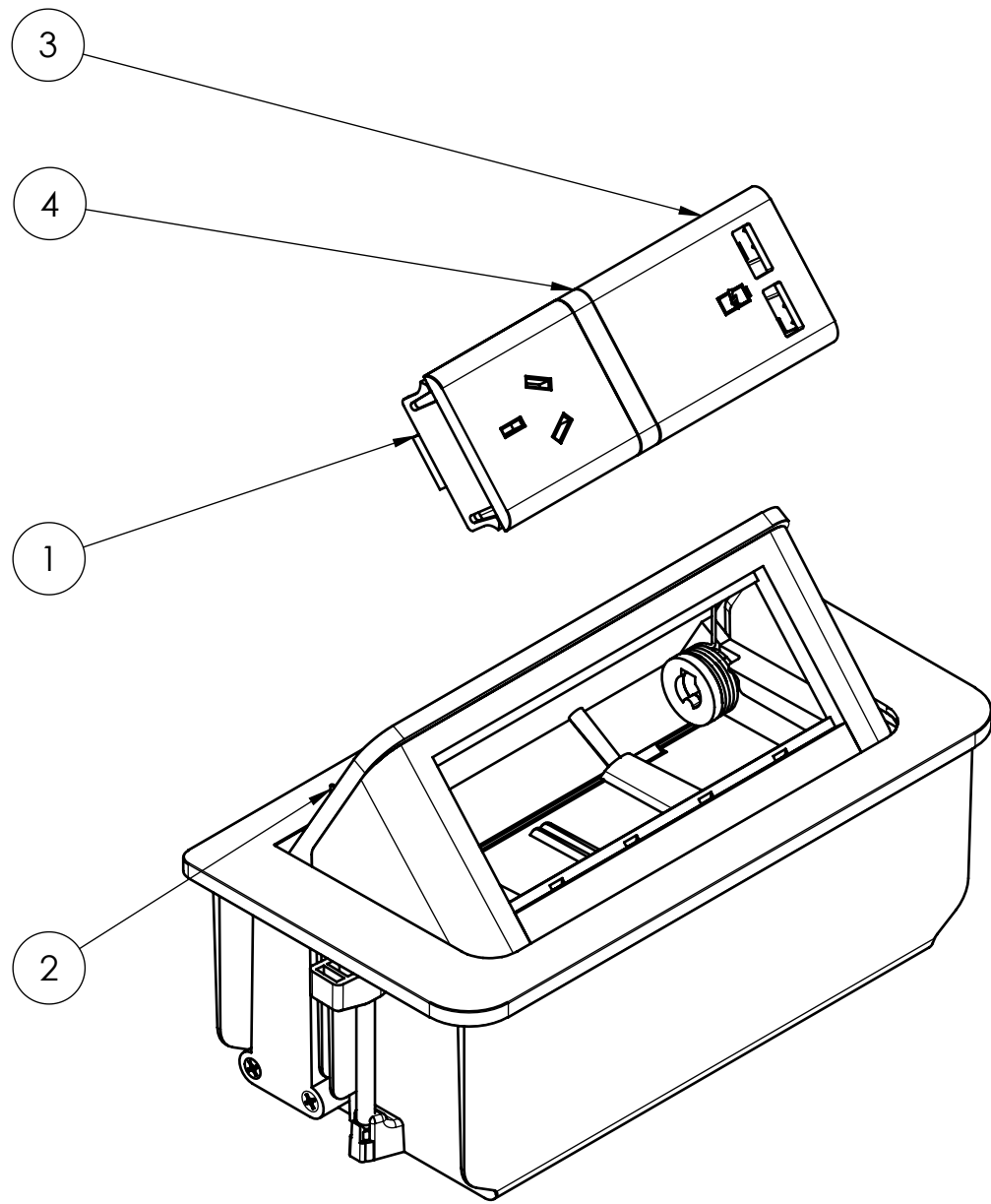
DRAWING: LU8621
REV: 3

A3

SCALE 1:2

SHEET 1 OF 2

REV	DESCRIPTION	DATE	DRWN	APPV
3	UPDATED CUT OUT	16/02/2017	KLP	
1	ISSUED	05/12/2016	JC	
REVISIONS				



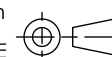
ITEM NO.	PART NUMBER	QTY.
1	SW18R-1	1
2	Pop-up desk box	1
3	SW18UR2	1
4	7MM blank tile	1

CUSTOMER SIGNATURE:	
MATERIAL:	POLYCARBONATE
FINISH:	FINE EDM
COLOUR:	WHITE
THIS DRAWING & ASSOCIATED CAD FILES ARE ISSUED IN THE STRICTEST CONFIDENCE AND ARE ONLY TO BE USED IN THE COMMERCIAL INTERESTS OF CMS ELECTRACOM PTY LTD	

TOLERANCES UNLESS OTHERWISE STATED:

X ±0.5
 X.X ±0.2
 X.XX ±0.1
 X.XXX ±0.05
 ANG ±0.5°

DRAWN IN mm TO AS1100 DO NOT SCALE



CMS Electracom COPYRIGHT © 2015

TITLE:
 POP UP DESKBOX 2 GPO

DRAWING: LU8621	REV: 3	A3
SCALE 1:2	SHEET 2 OF 2	