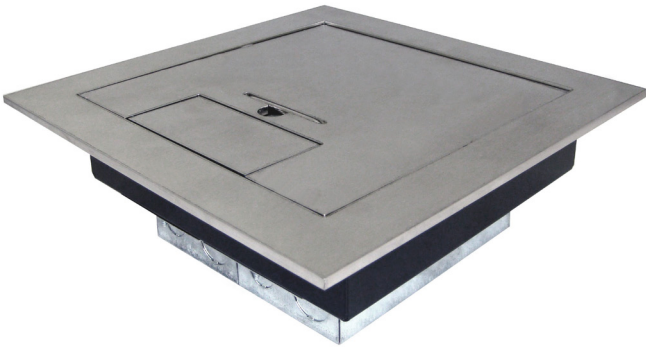


Rhino Series

Heavy Duty & 3-Phase Application

The Rhino stainless steel floor outlet boxes are easily installed into a concrete or timber floor.

The Rhino floor box flush mount lid is manufactured from 5mm stainless steel and is suitable in applications requiring additional strength to take the weight of a vehicle.



2 Compartment shown



4 Compartment shown

Key Features

- » Multiple knockouts for conduit
- » Stainless steel finish

CUT OUT SIZES:

- » RF2 COMPARTMENT - 210mm x 210mm
- » RF4 COMPARTMENT - 345mm x 225mm

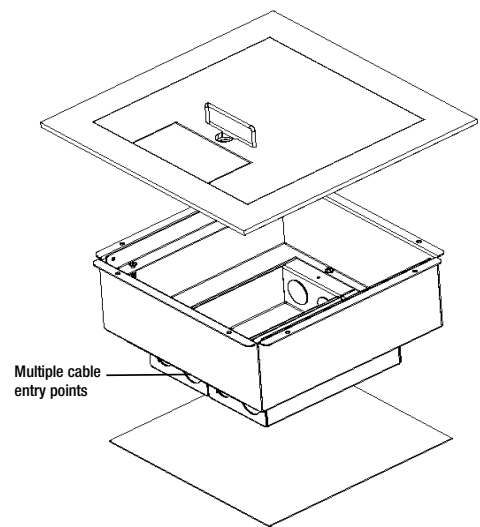
Product Details

RF2090SS	2 Compartment stainless steel floor box with flush mounted lid - 90mm deep
RF4090SS	4 Compartment stainless steel floor box with flush mounted lid - 90mm deep

Technical Specification

2 COMPARTMENT

PART NO	OVERALL DEPTH
RF2090SS	90mm



4 COMPARTMENT

PART NO	OVERALL DEPTH
RF4090SS	90mm

