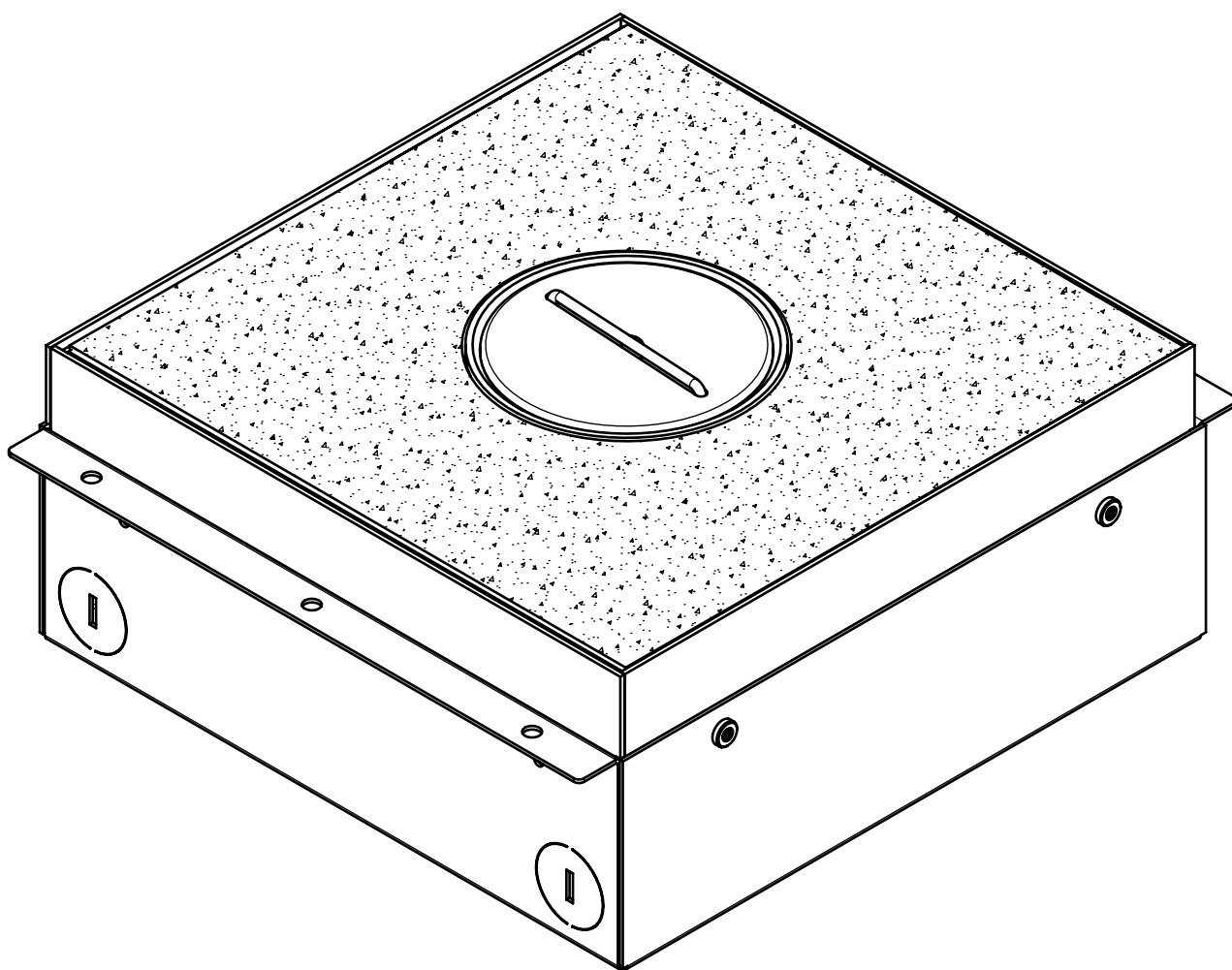
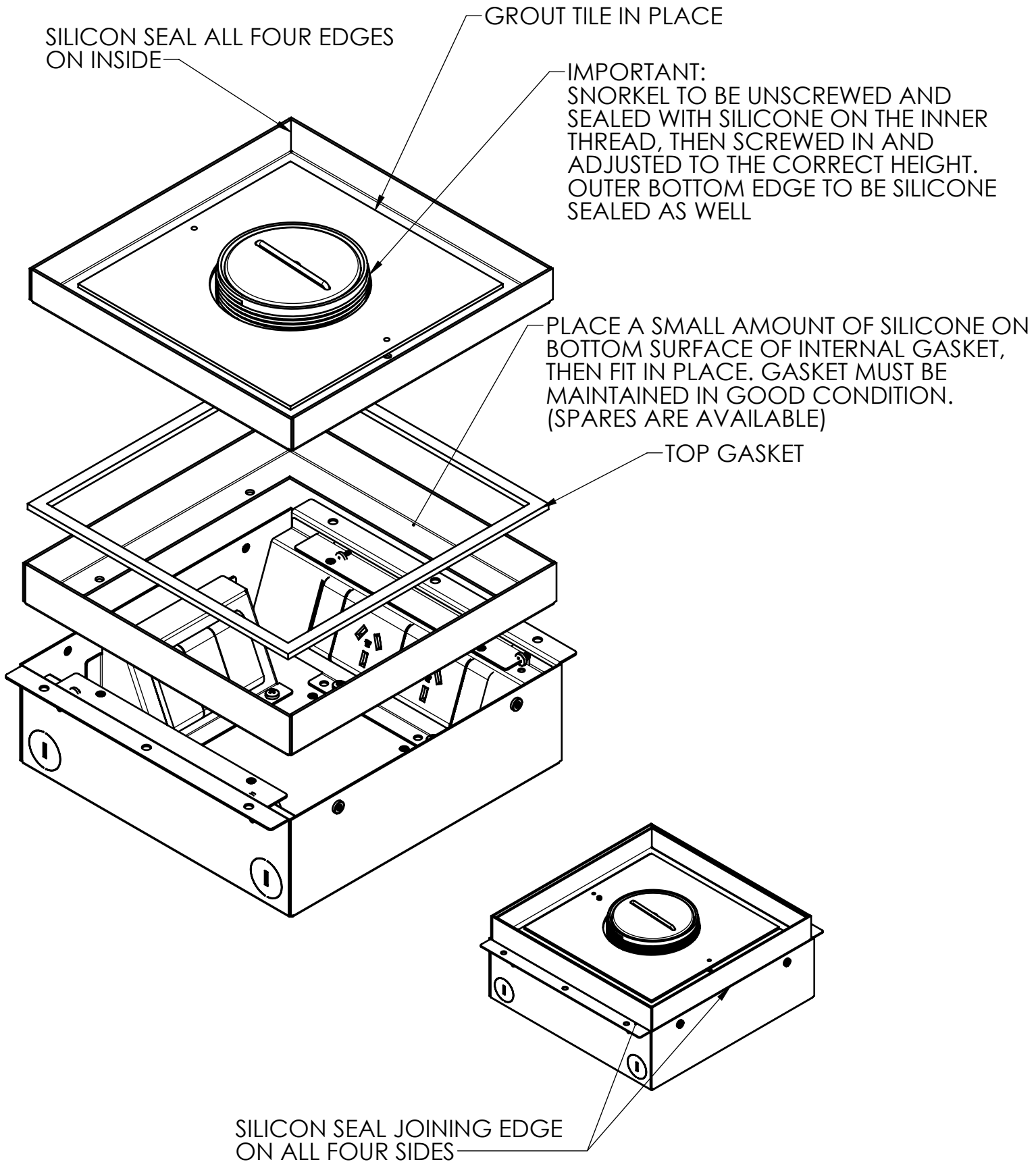
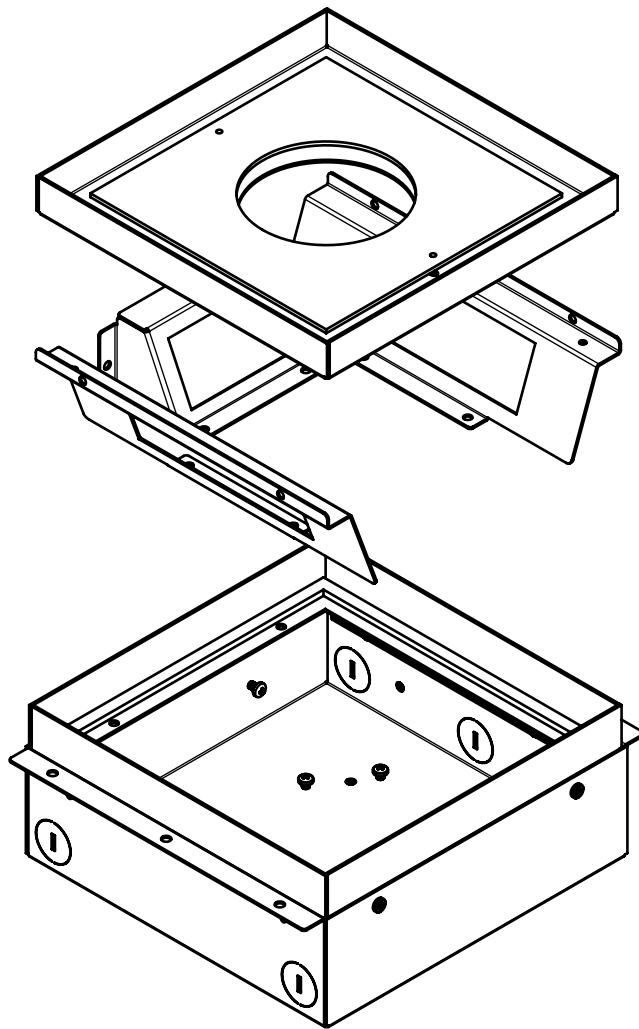


BUTT EDGE SNORKEL BOX INSTALLATION SHEET

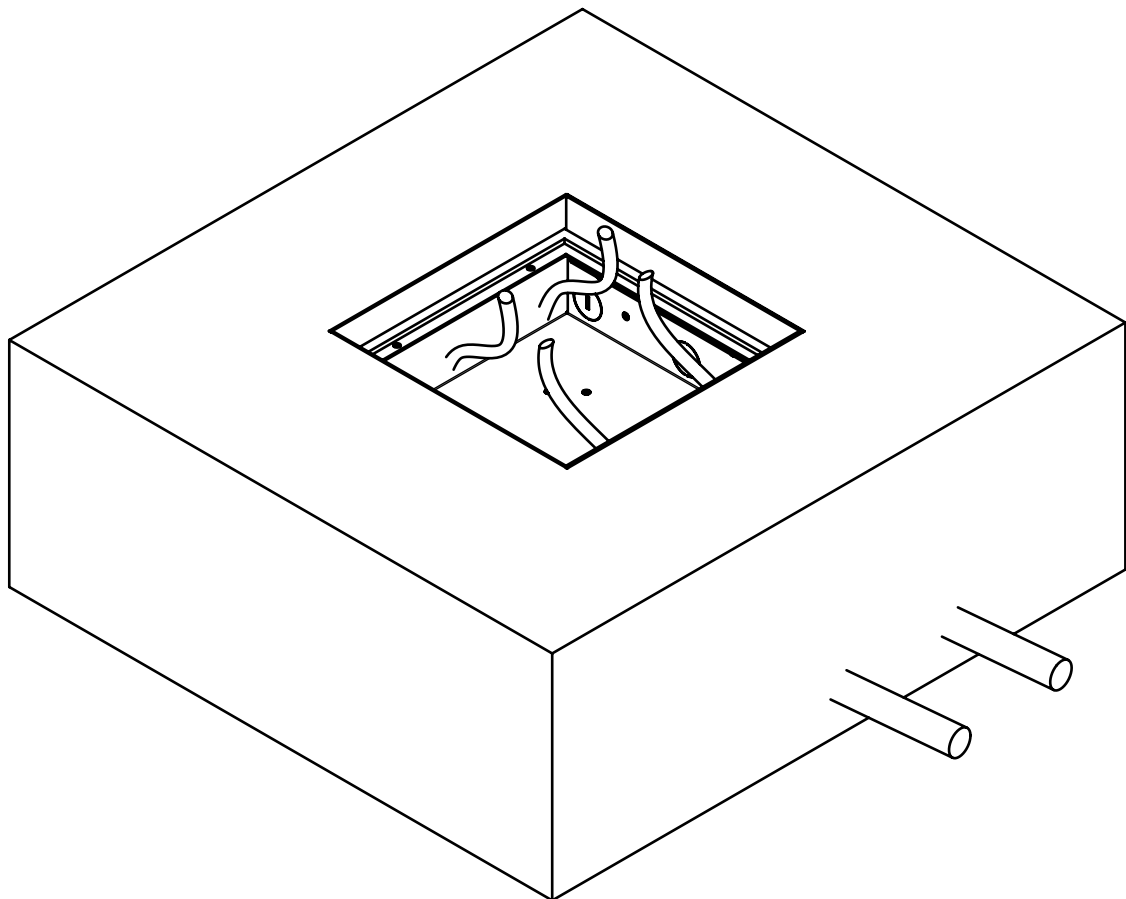


WATER-PROOFING

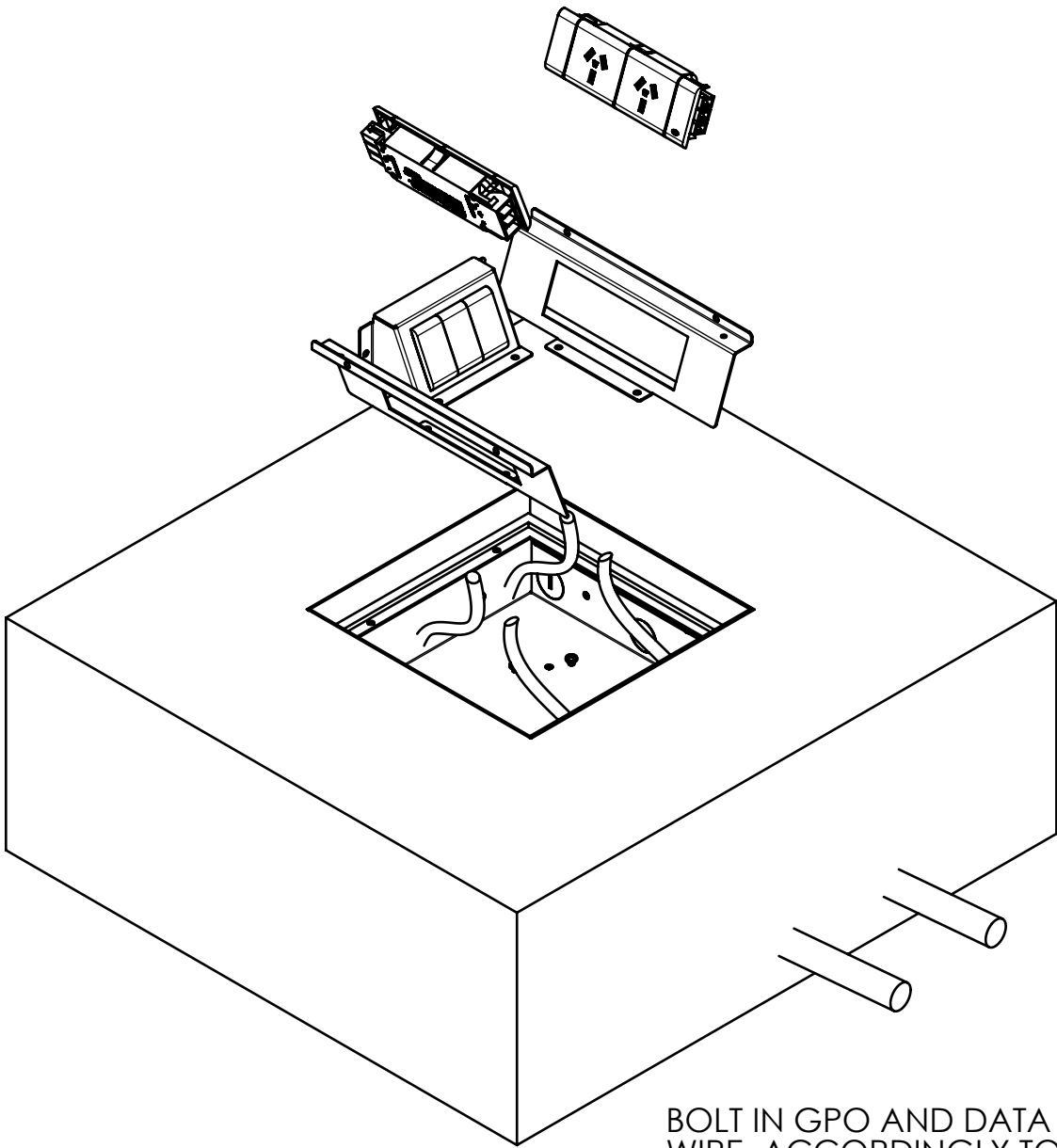




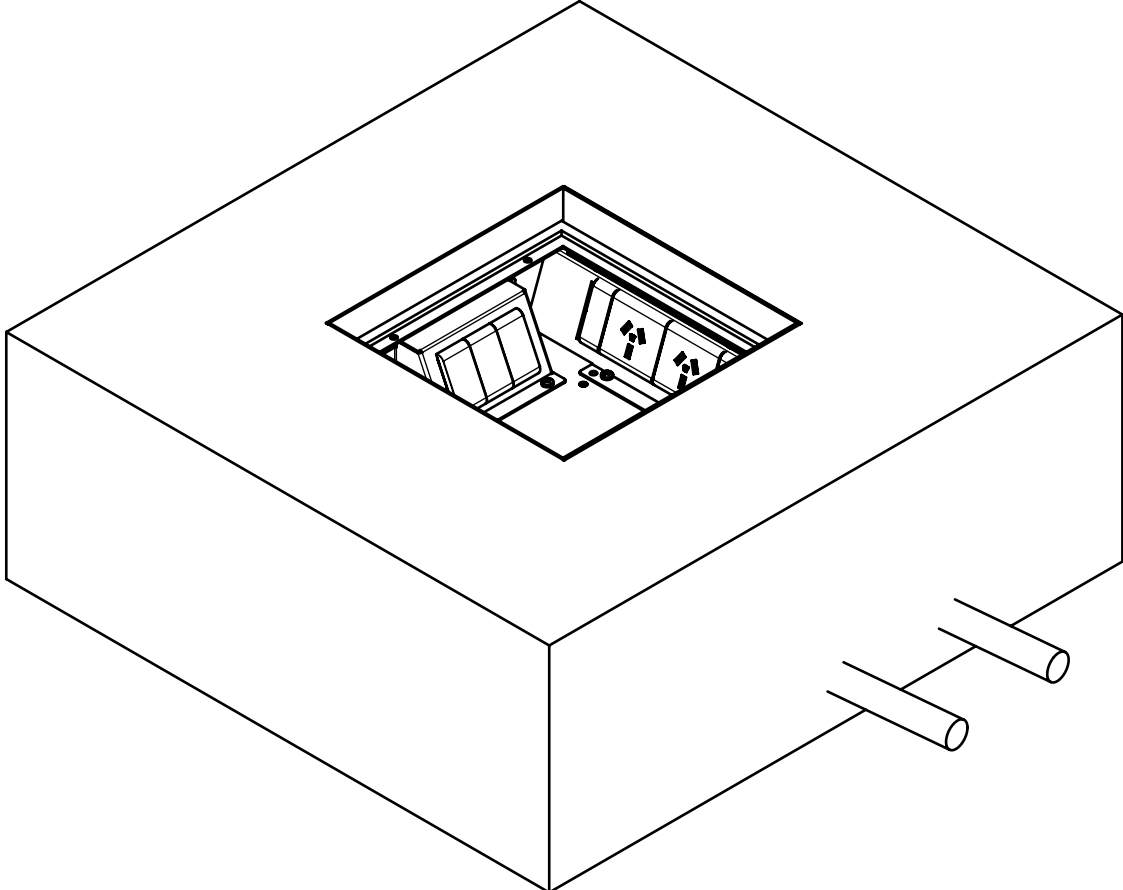
REMOVE LID AND PLATES

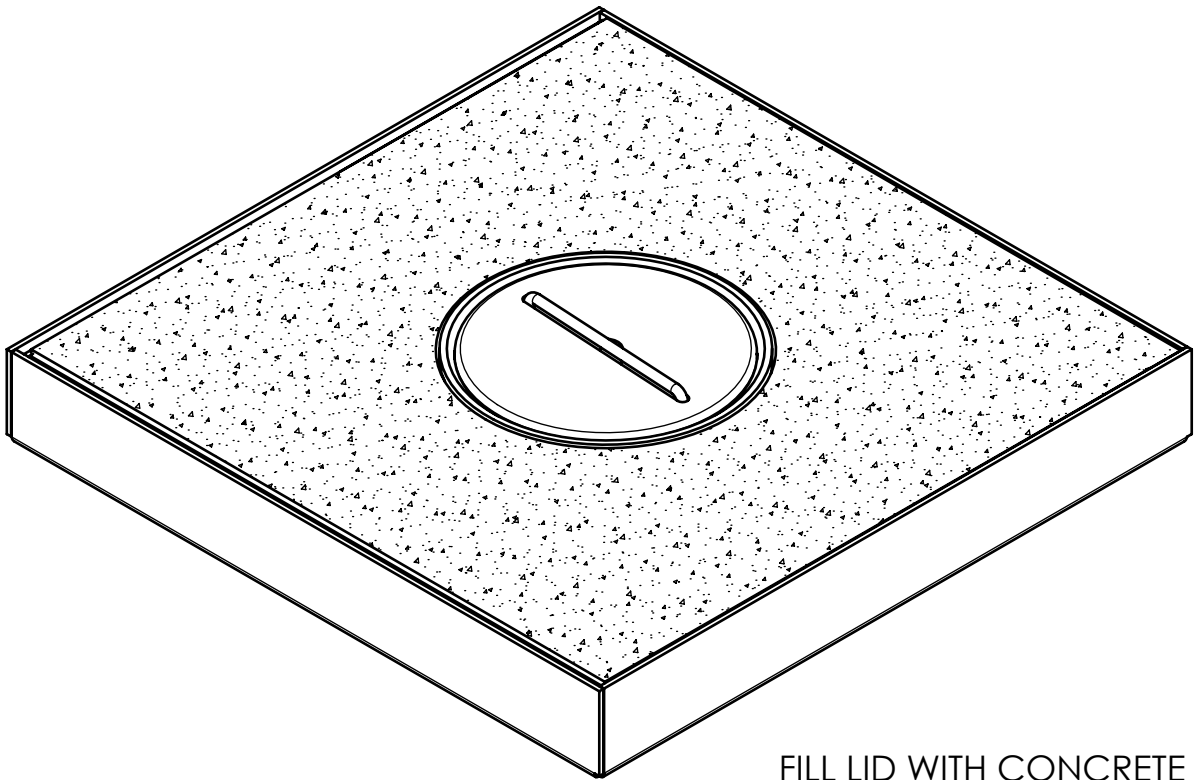


PLACE SNORKEL BOX IN HOLE AND CONCRETE OR TILE ACCORDINGLY
FEED CABLE THROUGH THE KNOCK-OUTS

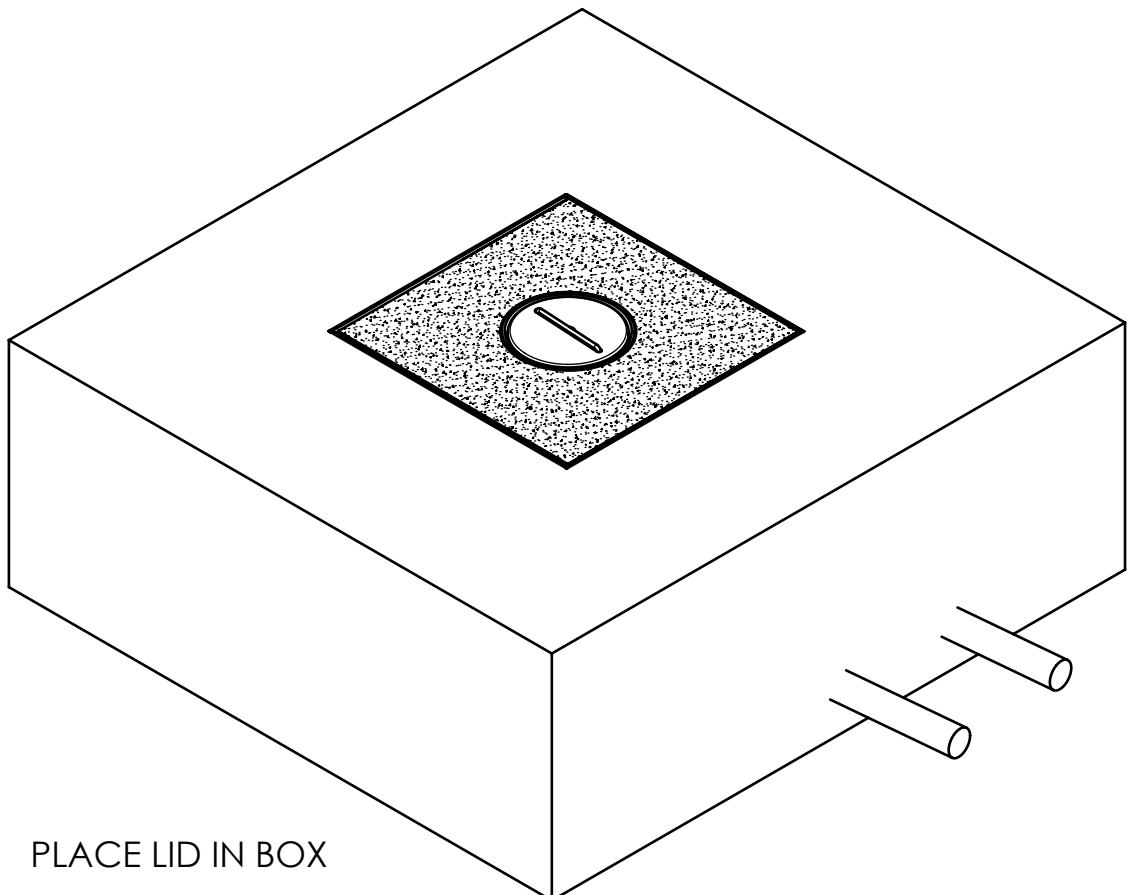


BOLT IN GPO AND DATA PLATES AND WIRE ACCORDINGLY TO GENERAL WIRING RULES





FILL LID WITH CONCRETE OR TILE
FROM FLOORING



PLACE LID IN BOX

BUTT EDGE SNORKEL BOX INSTALLATION SHEET

