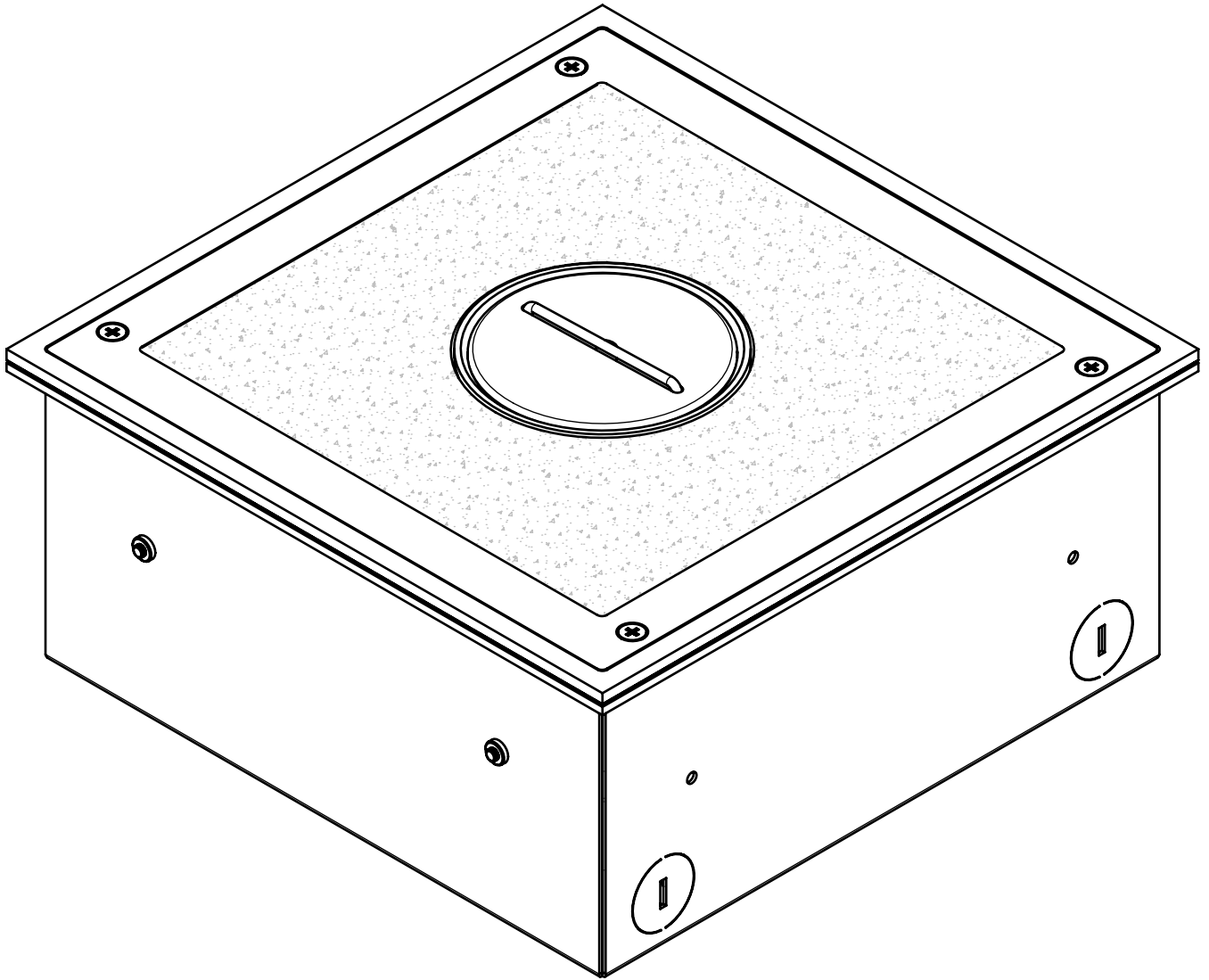
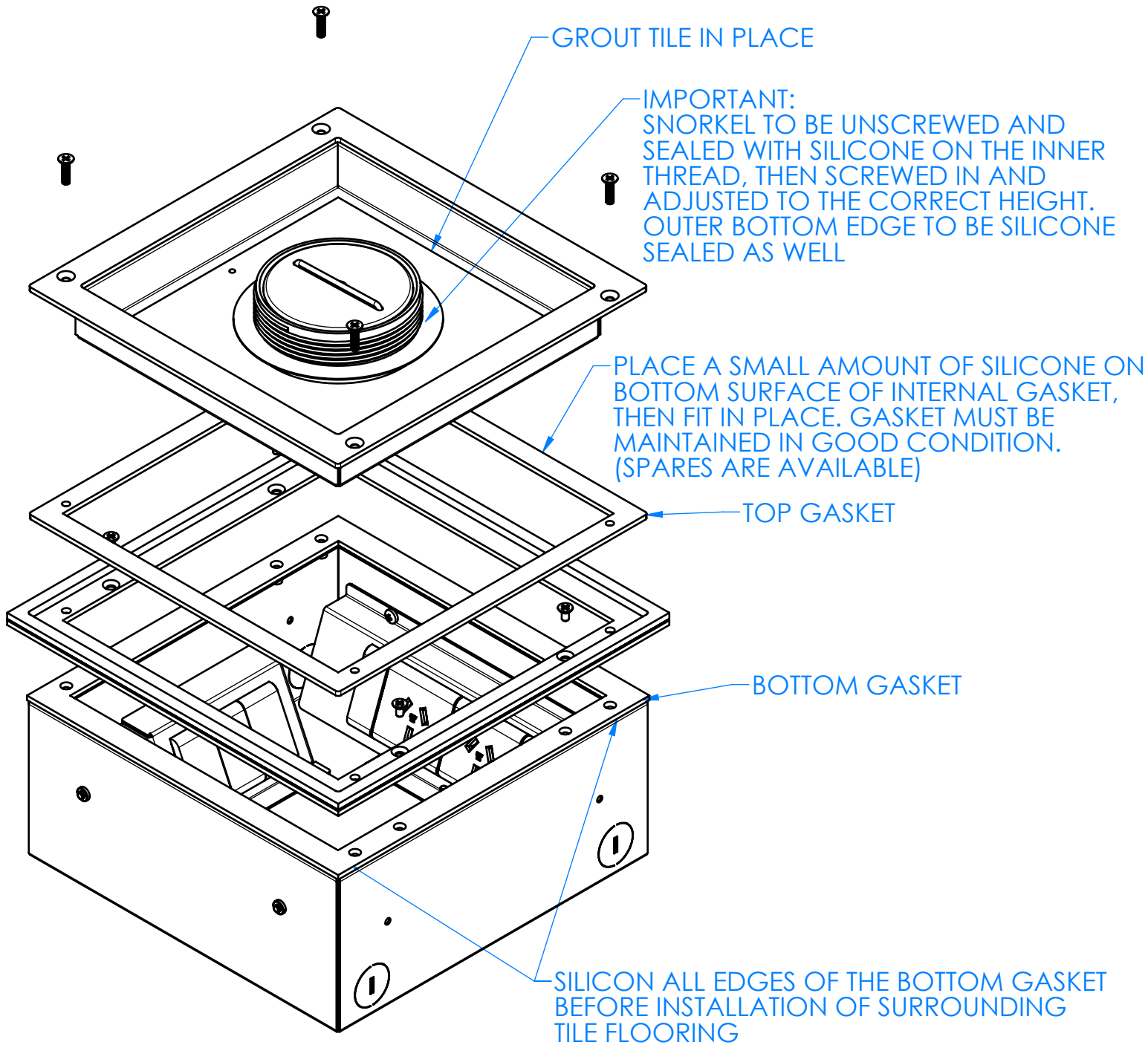
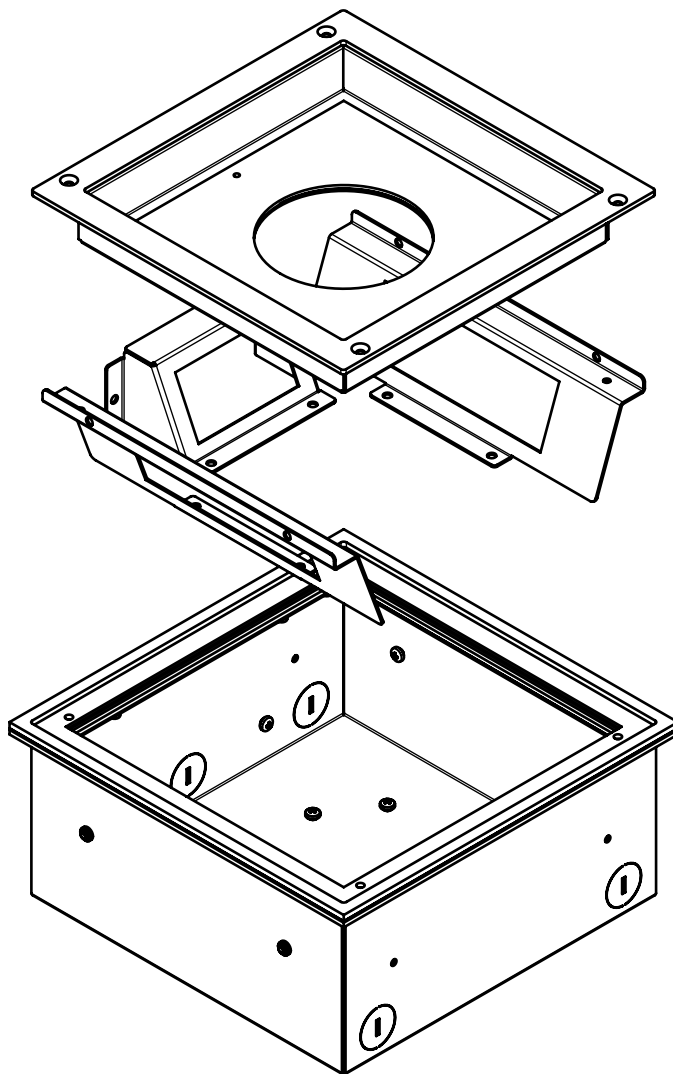


SNORKEL BOX INSTALLATION SHEET

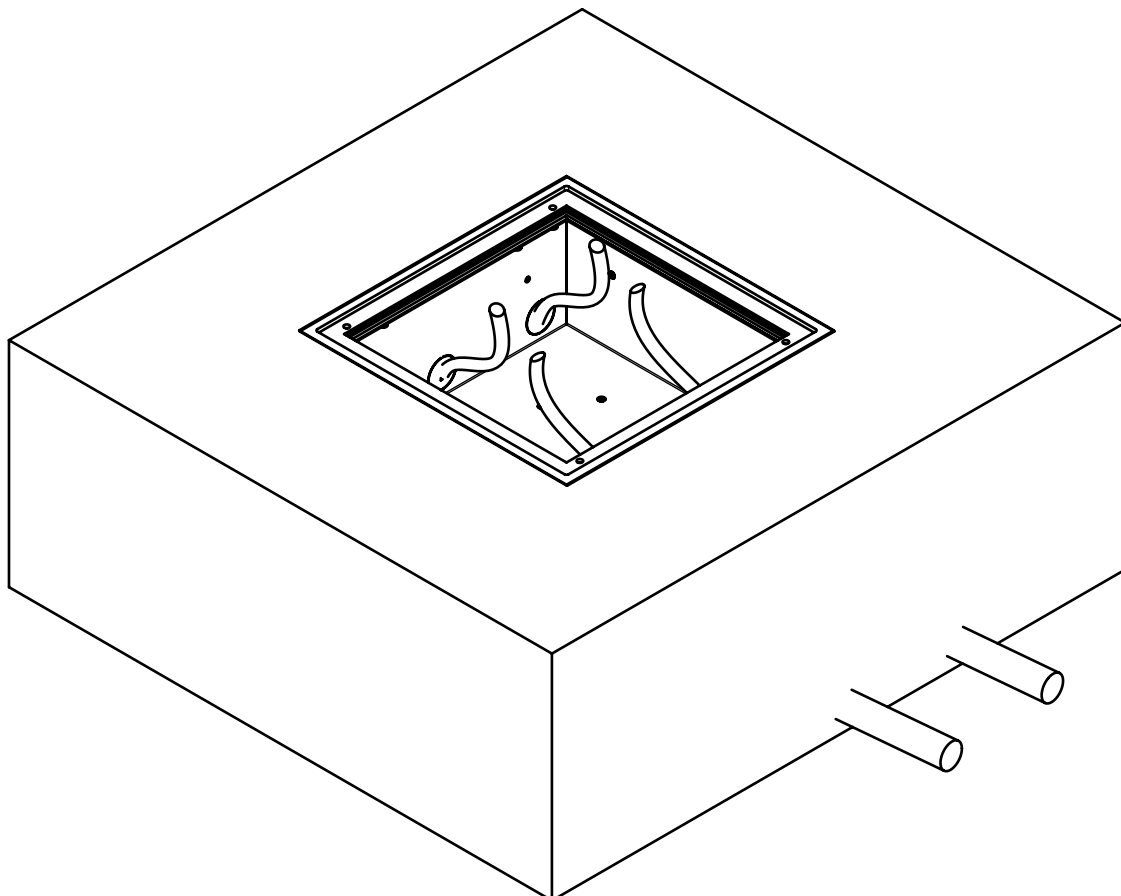


WATER-PROOFING

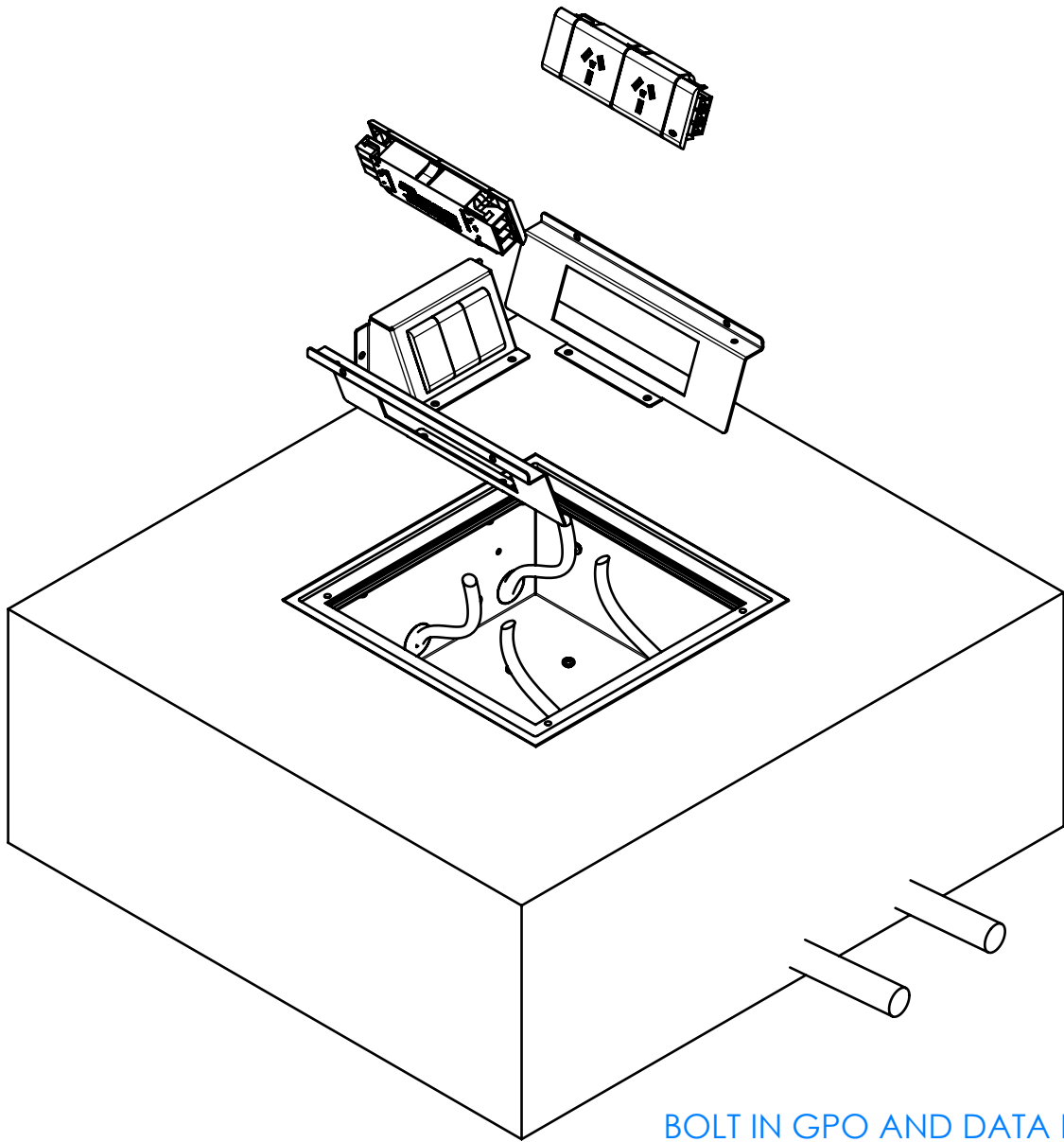




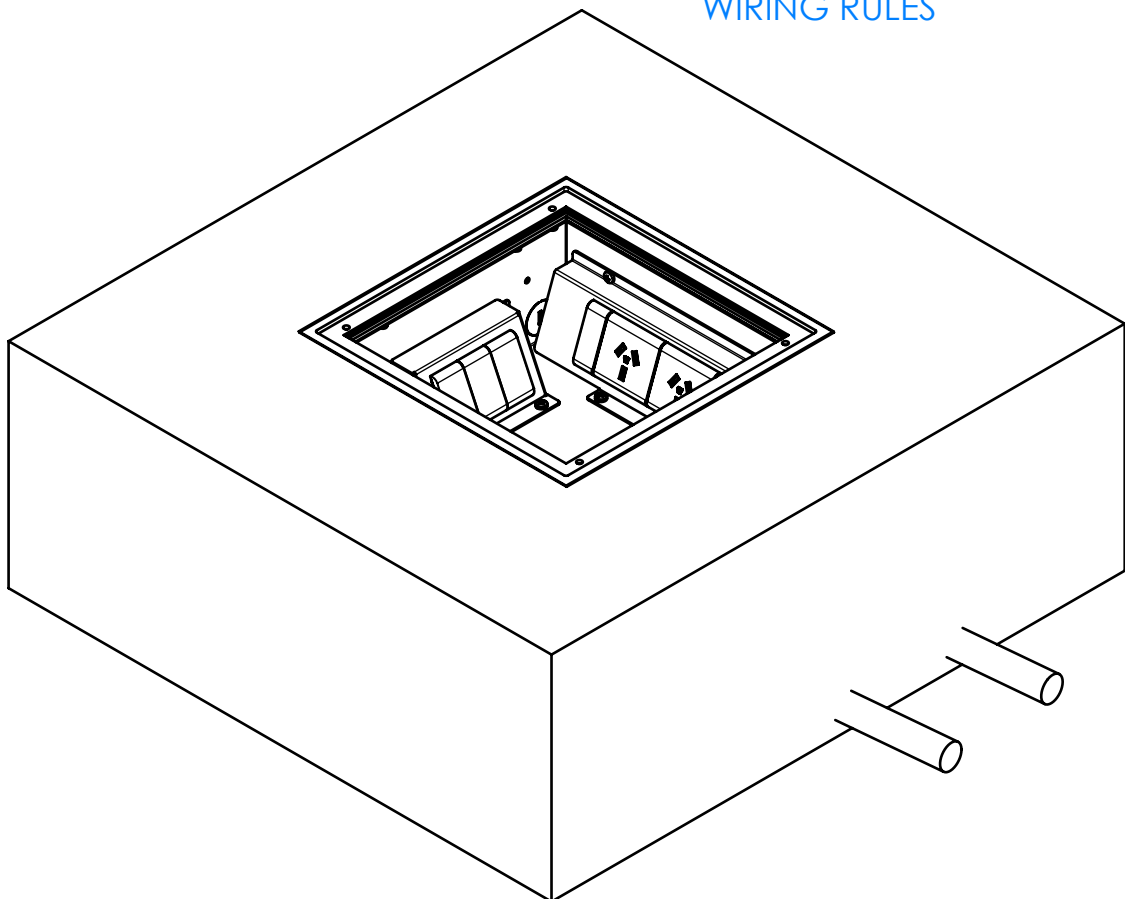
REMOVE LID AND PLATES

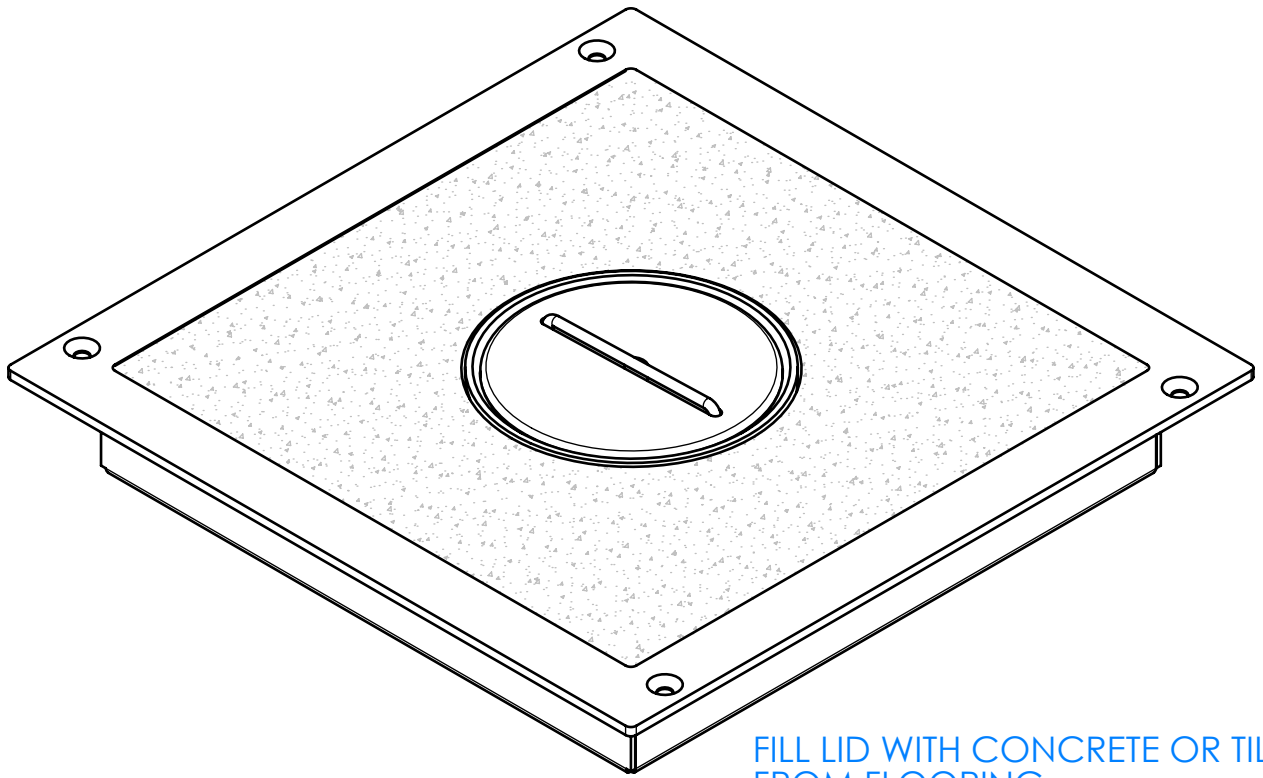


PLACE SNORKEL BOX IN CONCRETE HOLE AND
FEED CABLE THROUGH THE KNOCK-OUTS

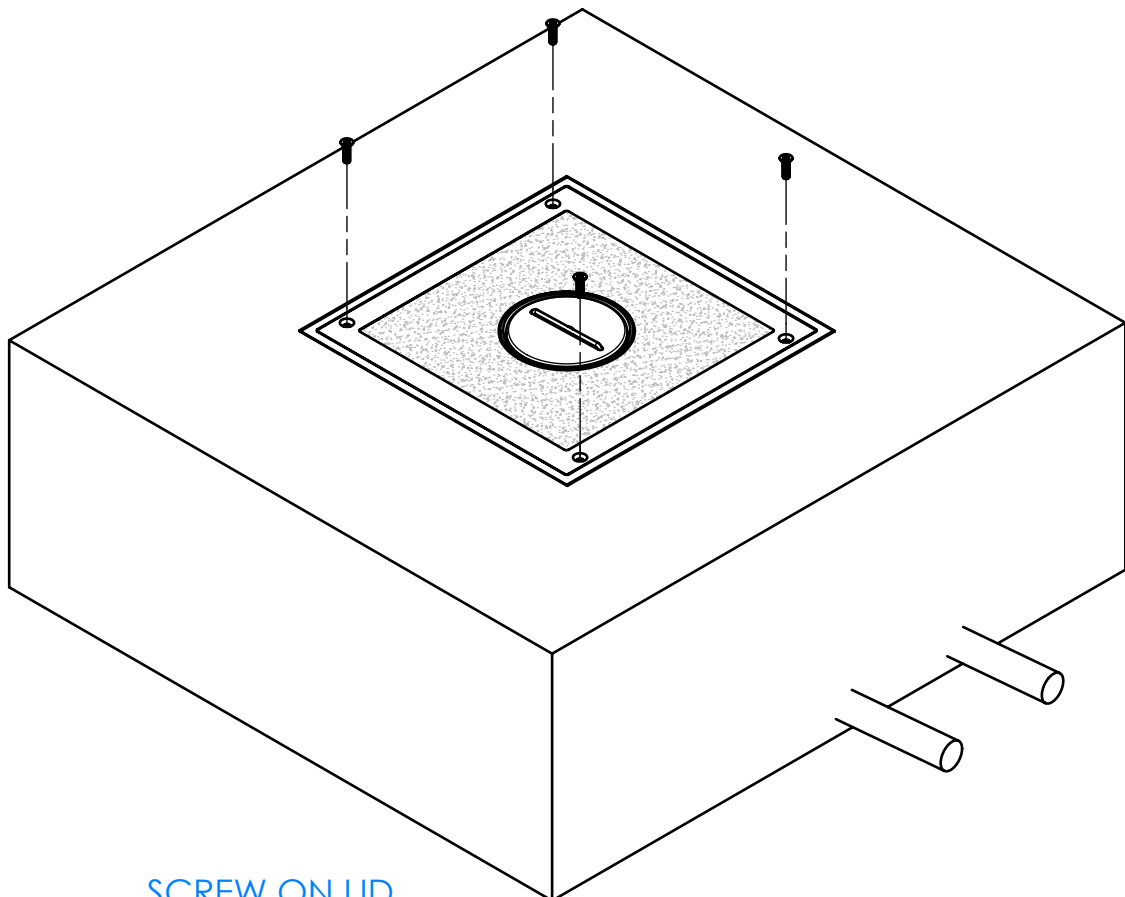


BOLT IN GPO AND DATA PLATES AND WIRE ACCORDINGLY TO GENERAL WIRING RULES





FILL LID WITH CONCRETE OR TILE
FROM FLOORING



SCREW ON LID

SNORKEL BOX INSTALLATION SHEET

