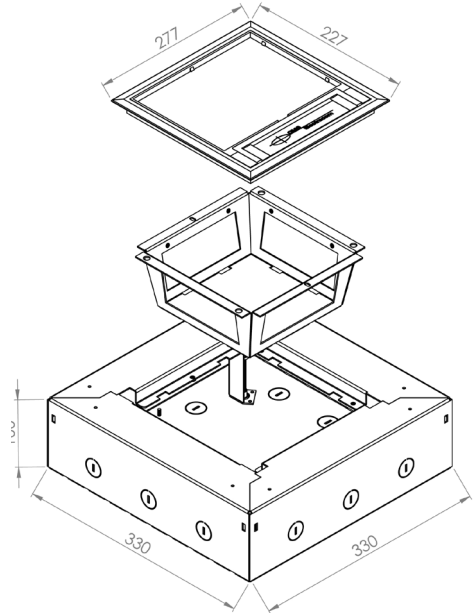


TITAN FT2TP

LID: ABS Plastic with recess provision for carpet tile

UNDERCARRIAGE: Screed Floor Assembly - 100mm Depth



Lid Features

- Carpet frame with recessed lid, manufactured from ABS plastic.
- 7mm lid recess for carpet tile insert.
- Easy-grab handle and functional cable exit when lid closed.
- Lock option available for security applications.

Undercarriage Features

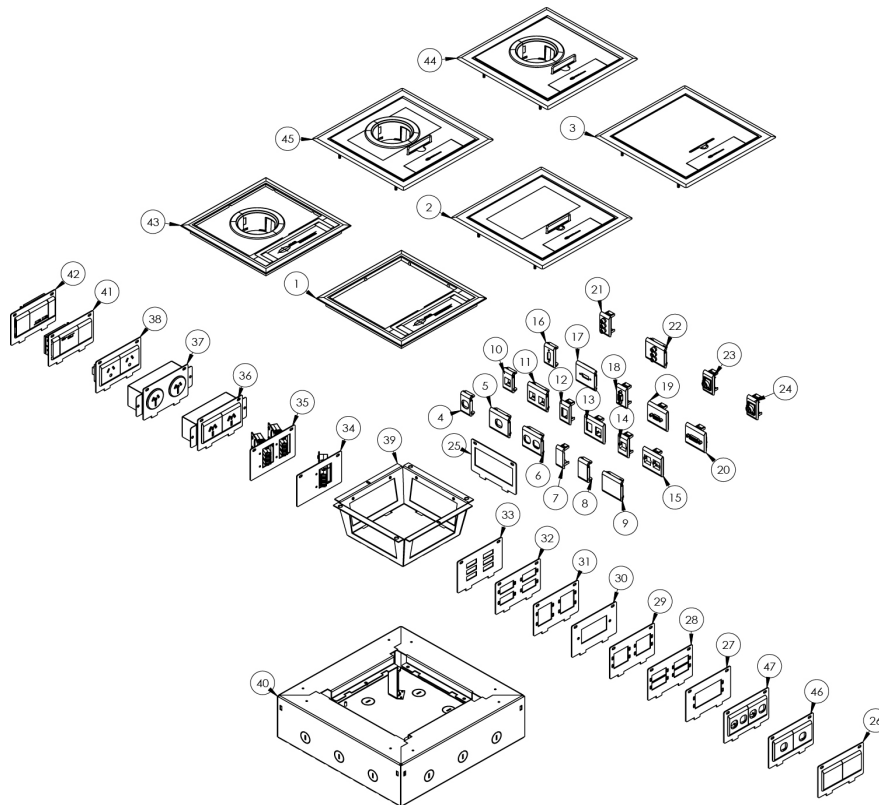
- Designed for AV Integration with Interchangeable mounting plates for Crestron, Extron, Kramer and AMX adapters.
- Wide range of modular soft/hardwired power, data and AV mounting plates.
- Durable galvanised screed box supplied with cover.
- CAT6, 6A and 7 Compliant.
- Custom brackets & plates available.
- Designed and manufactured in Australia.

Technical Specification

Floor application	Screeded concrete floor
Cut-out dimension	L332mm x W332mm x D100mm
Lid recess dimension	L148mm x W191mm x D7mm
Lid specification	ABS Plastic with recess provision for carpet tile insert.
Undercarriage and screed box specification	Undercarriage manufactured from black powder-coated mild steel. Screed box and cover manufactured from galvanised steel with knockouts for conduits.
Weight rating	120kg

TITAN FT2TP

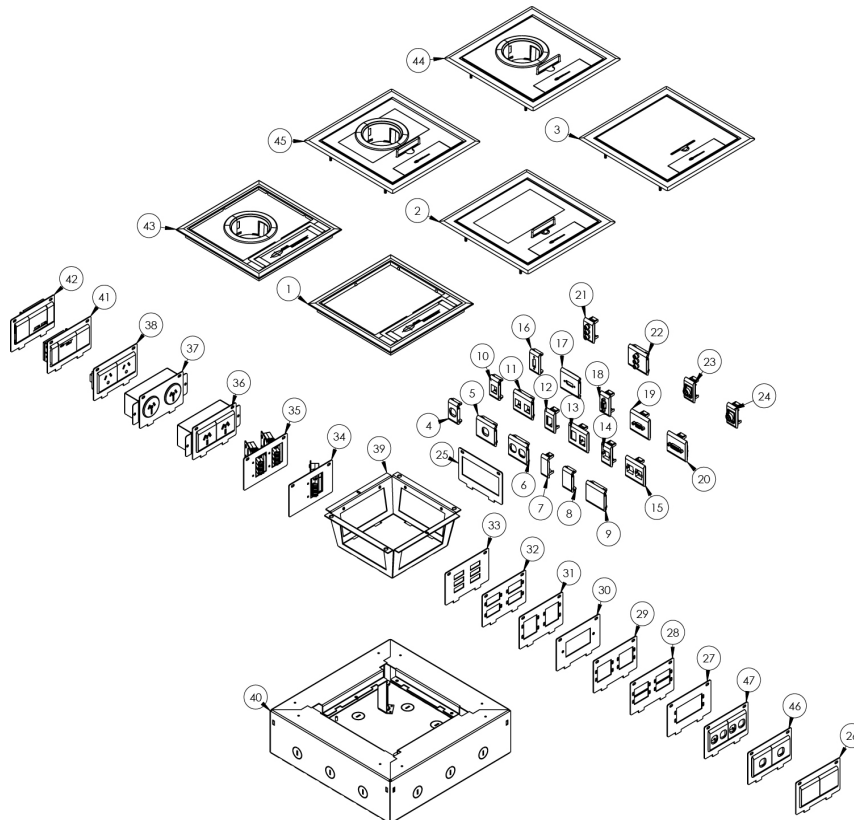
Component List



No.	Part No & Description	No.	Part No & Description
1	F2LID - APOLLO FLOORBOX PLASTIC LID	17	SW18CDP1 - 50mm TILE WITH PROVISION FOR DISPLAY PORT
2	FT2LIDSC - STAINLESS SOFT-CLOSE FB2 RECESSED LID	18	SW18BVV - 25mm TILE F/W VGA MINI GENDER BENDER
3	FTF2LIDSC - STAINLESS SOFT-CLOSE FB2 FLUSH LID	19	SW18CVV - 50mm TILE F/W VGA MINI GENDER BENDER
4	SW18B1 - 25mm SINGLE DATA TILE	20	SW18CDVI - 50mm DATA TILE - F/W DVI FEMALE CONNECTOR
5	SW18C1 - 50mm SINGLE DATA TILE	21	
6	SW18C2 - 50mm DUAL DATA TILE	22	
7	SW18A - 18mm blank tile	23	SW18BX3 - 25mm TILE F/W MINI XLR 3 PIN PLUG WITH SOLDER CUPS
8	SW18B - 25mm blank tile	24	SW18BX4 - 25mm TILE F/W MINI XLR 4 PIN PLUG WITH SOLDER CUPS
9	SW18C - 50mm BLANK TILE	25	FTBPP - TITAN 100mm BLANK PLATE
10	SW18B1K - 25mm SINGLE TILE TO SUIT KEYSTONE DATA	26	FTBP - BLANK PLATE F/W 2 50mm BLANK TILES
11	SW18C2K - 50mm DUAL DATA TILE TO SUIT KEYSTONE JACKS	27	FTEXAAP - AAP EXTRON ADAPTER PLATE TO SUIT 1 x DOUBLE OR 2 x SINGLE MODULES
12	SW18B1SE - 25mm SINGLE TILE TO SUIT SIEMON DATA	28	FTEXMAAP4 - TITAN FLOOR BOX MAAP EXTRON ADAPTER PLATE QUAD
13	SW18C2SE - 50mm DUAL DATA TILE TO SUIT SIEMON JACKS	29	FTKRWD2 - TITAN FLOOR BOX KRAMER ADAPTER TO SUIT "W" xx DOUBLE MODULES
14	SW18B1SM - 25mm SINGLE TILE TO SUIT SYSTIMAX DATA	30	FTKRVS - KRAMER ADAPTER PLATE TO SUIT "SV" xx MODULES
15	SW18C2SM - 50mm DUAL DATA TILE TO SUIT SYSTIMAX DATA	31	FTEXMAAPD2 - TITAN FLOOR BOX MAAP EXTRON ADAPTER PLATE DOUBLE
16	SW18BDP1 - 25mm TILE WITH PROVISION FOR DISPLAY PORT	32	TITAN FLOOR BOX KRAMER ADAPTER PLATE TO SUIT "W" xx QUAD MODULES

TITAN FT2TP

Component List



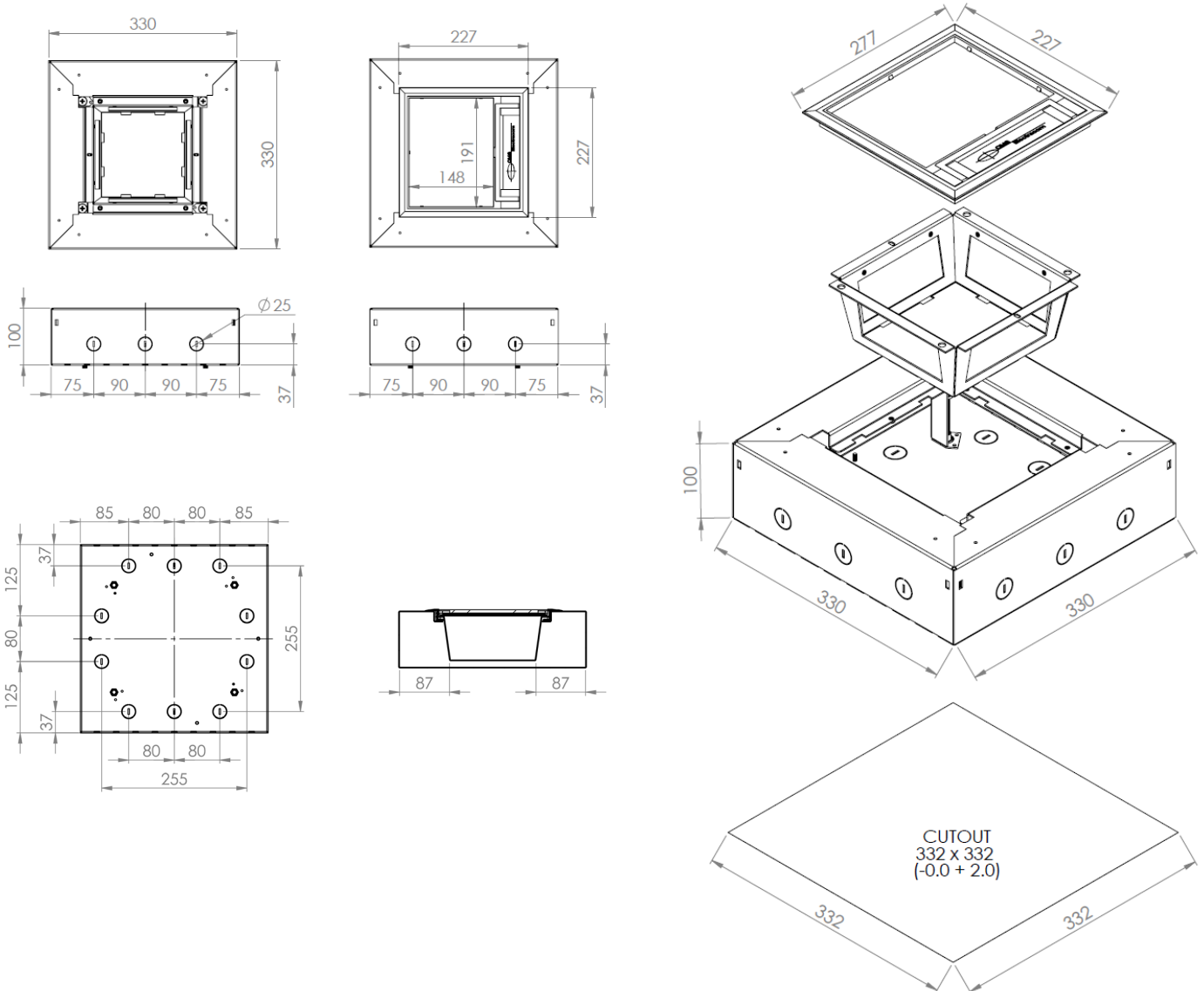
No.	Part No & Description	No.	Part No & Description
33	FTSCD - SC DUPLEX PLATE	41	FTP2UACBK - TITAN FB PLATE F/W DUAL USB TYPE A&C QUALCOMM Q/CHARGER & BLANK
34	FTTAG - STARTER PLATE C/W REWIREABLE SOCKET	42	FTP2UBK - TITAN FB PLATE F/W DUAL USB A CHARGER & BLANK
35	FTTAG2 - DOUBLE STARTER FULL PLATE - REWIREABLE SOCKETS	43	FT2LIDGY-UMB - FLOORBOX LID WITH GALVANISED STEEL LID INSERT AND UMBILICAL GROMMET
36	FTP2 - POWER PLATE F/W 2 x AUTO SWITCHED GPO	44	FTF2LIDSC-UMB - 2 COMPARTMENT SS SOFT CLOSE FLUSH LID AND UMBILICAL GROMMET
37	FTP215A - TITAN PLATE TO SUIT 2 x ROUND 15A GPO	45	FT2LIDSC-UMB - 2 COMPARTMENT SOFT CLOSE RECESSED LID - WITH UMBILICAL GROMMET
38	FTP2RE - POWER PLATE F/W 2 x AUTO SWITCHED ROUND EARTH GPO	46	FTD2 - ADAPTER PLATE TO SUIT 2 x 50mm SINGLE TILE (PROVISION 2 x DATA)
39	FT2UC - FT2 UNDERCARRIAGE	47	FTD4 - ADAPTER PLATE TO SUIT 2 x 50mm DUAL TILE (PROVISION 4 x DATA)
40	FT2CH - FT2 100mm SCREED BOX		

TITAN FT2TP

Technical Specification

CMS Titan FT2TP screed floorbox lid, undercarriage and screed box assembly. Lid manufactured from ABS plastic with 7mm recess provision for carpet/tile Insert. Undercarriage manufactured from black powder-coated mild steel. Screed box and cover manufactured from galvanised steel with knockouts for conduits. Load capacity: 120kg

ID No.	Part No. & Description
1	F2LID - APOLLO FLOORBOX PLASTIC LID
39	FT2UC - FT2 UNDERCARRIAGE
40	FT2CH - FT2 100mm SCREED BOX

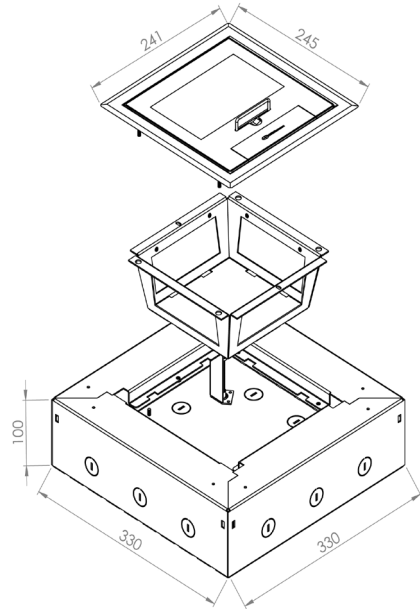


Disclaimer: CMS has made every attempt to ensure the accuracy and reliability of the information provided in this document are correct. All information contained in this document is to be used for general guidance only. CMS reserves the right to change, delete or modify the information without notice.

TITAN FT2TP-SC

LID: Stainless steel with recess provision for carpet tile

UNDERCARRIAGE: Screed Floor Assembly - 100mm Depth



Lid Features

- Soft-closing lid with radius edges minimises risk of accidental impact and potential cable damage.
- 7mm lid recess for carpet tile.
- Easy-grab handle and functional cable exit when lid closed.
- Lock option available for security applications.

Undercarriage Features

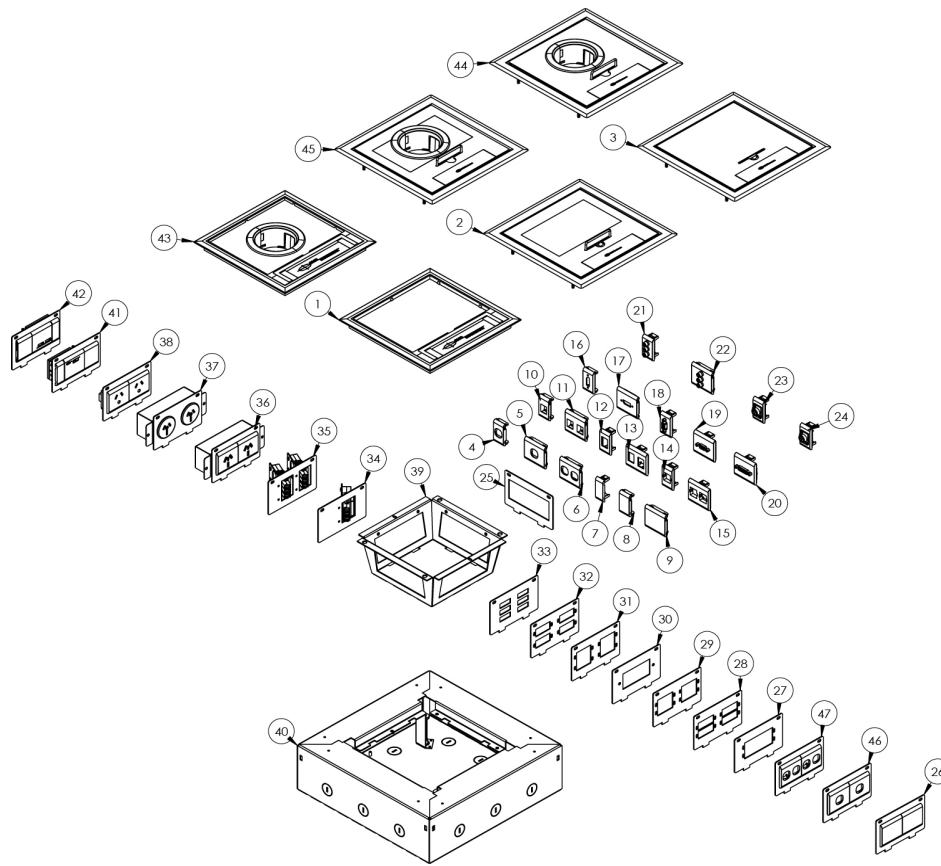
- Designed for AV Integration with Interchangeable mounting plates for Crestron, Extron, Kramer and AMX adapters.
- Wide range of modular soft/hardwired power, data and AV mounting plates.
- Durable galvanised screed box supplied with cover.
- CAT6, 6A and 7 Compliant.
- Custom brackets & plates available.
- Designed and manufactured in Australia.

Technical Specification:

Floor application	Screeded concrete floor
Cut-out dimension	L332mm x W332mm x D100mm
Lid recess dimension	L95mm x W155mm x D7mm
Lid specification	Stainless steel with recess provision for carpet tile insert.
Undercarriage and screed box specification	Undercarriage manufactured from black powder-coated mild steel. Screed box and cover manufactured from galvanised steel with knockouts for conduits.
Weight rating	150kg

TITAN FT2TP-SC

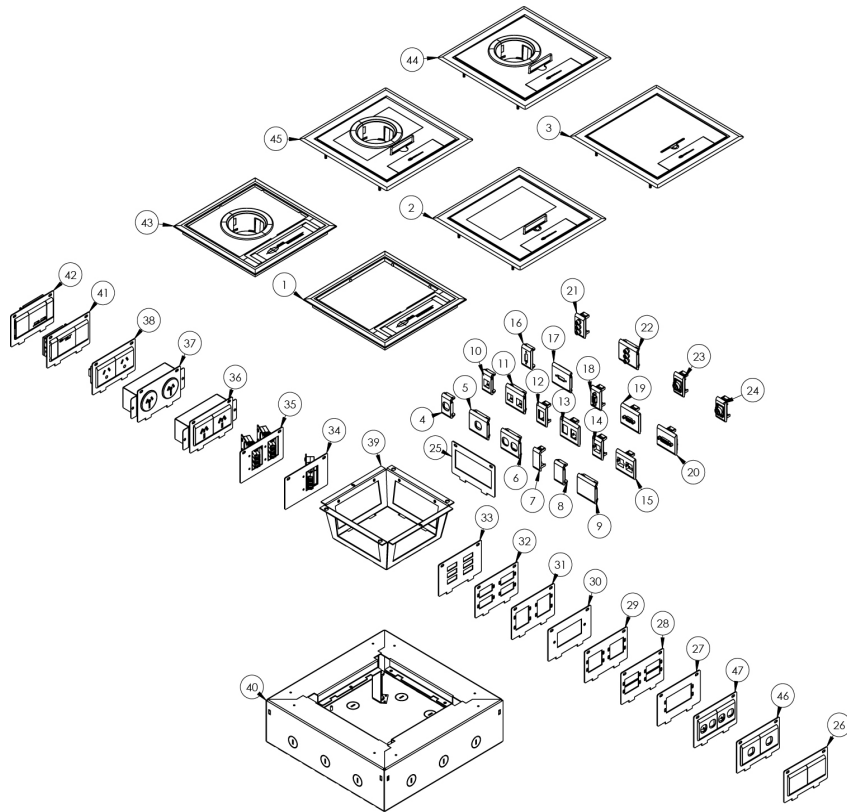
Component List



No.	Part No & Description	No.	Part No & Description
1	F2LID - APOLLO FLOORBOX PLASTIC LID	17	SW18CDP1 - 50mm TILE WITH PROVISION FOR DISPLAY PORT
2	FT2LIDSC - STAINLESS SOFT-CLOSE FB2 RECESSED LID	18	SW18BVV - 25mm TILE F/W VGA MINI GENDER BENDER
3	FTF2LIDSC - STAINLESS SOFT-CLOSE FB2 FLUSH LID	19	SW18CVV - 50mm TILE F/W VGA MINI GENDER BENDER
4	SW18B1 - 25mm SINGLE DATA TILE	20	SW18CDVI - 50mm DATA TILE - F/W DVI FEMALE CONNECTOR
5	SW18C1 - 50mm SINGLE DATA TILE	21	
6	SW18C2 - 50mm DUAL DATA TILE	22	
7	SW18A - 18mm blank tile	23	SW18BX3 - 25mm TILE F/W MINI XLR 3 PIN PLUG WITH SOLDER CUPS
8	SW18B - 25mm blank tile	24	SW18BX4 - 25mm TILE F/W MINI XLR 4 PIN PLUG WITH SOLDER CUPS
9	SW18C - 50mm BLANK TILE	25	FTBPP - TITAN 100mm BLANK PLATE
10	SW18B1K - 25mm SINGLE TILE TO SUIT KEYSTONE DATA	26	FTBP - BLANK PLATE F/W 2 50mm BLANK TILES
11	SW18C2K - 50mm DUAL DATA TILE TO SUIT KEYSTONE JACKS	27	FTEXAAP - AAP EXTRON ADAPTER PLATE TO SUIT 1 x DOUBLE OR 2 x SINGLE MODULES
12	SW18B1SE - 25mm SINGLE TILE TO SUIT SIEMON DATA	28	FTEXMAAP4 - TITAN FLOOR BOX MAAP EXTRON ADAPTER PLATE QUAD
13	SW18C2SE - 50mm DUAL DATA TILE TO SUIT SIEMON JACKS	29	FTKRWD2 - TITAN FLOOR BOX KRAMER ADAPTER TO SUIT "W" xx DOUBLE MODULES
14	SW18B1SM - 25mm SINGLE TILE TO SUIT SYSTIMAX DATA	30	FTKRVS - KRAMER ADAPTER PLATE TO SUIT "SV" xx MODULES
15	SW18C2SM - 50mm DUAL DATA TILE TO SUIT SYSTIMAX DATA	31	FTEXMAAPD2 - TITAN FLOOR BOX MAAP EXTRON ADAPTER PLATE DOUBLE
16	SW18BDP1 - 25mm TILE WITH PROVISION FOR DISPLAY PORT	32	FTKRW4 - TITAN FLOOR BOX KRAMER ADAPTER PLATE TO SUIT "W" xx QUAD MODULES

TITAN FT2TP-SC

Component List



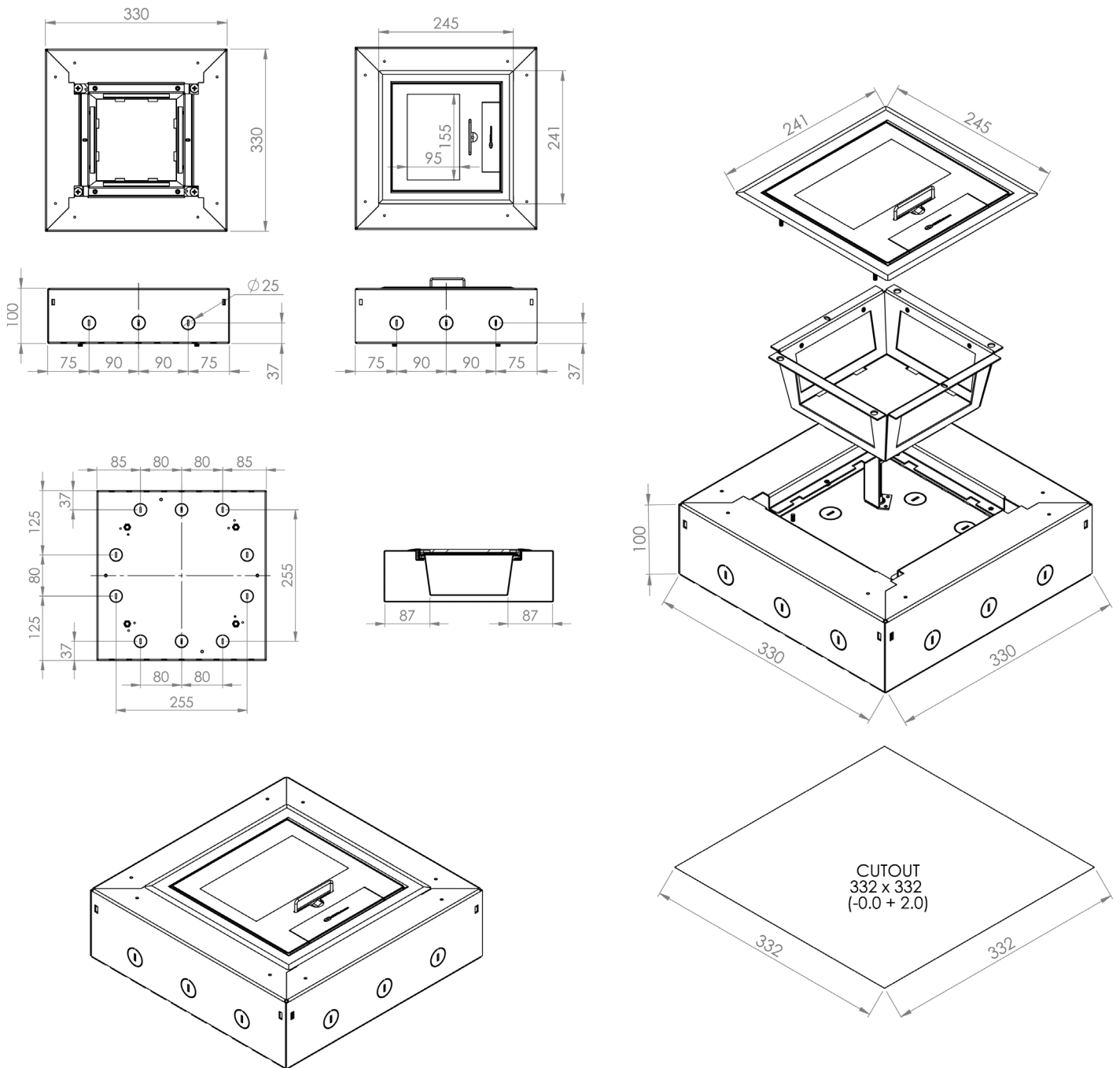
No.	Part No & Description	No.	Part No & Description
33	FTSCD - SC DUPLEX PLATE	41	FTP2UACBK - TITAN FB PLATE F/W DUAL USB TYPE A&C QUALCOMM Q/CHARGER & BLANK
34	FTTAG - STARTER PLATE C/W REWIREABLE SOCKET	42	FTP2UBK - TITAN FB PLATE F/W DUAL USB A CHARGER & BLANK
35	FTTAG2 - DOUBLE STARTER FULL PLATE - REWIREABLE SOCKETS	43	FT2LIDGY-UMB - FLOORBOX LID WITH GALVANISED STEEL LID INSERT AND UMBILICAL GROMMET
36	FTP2 - POWER PLATE F/W 2 x AUTO SWITCHED GPO	44	FTF2LIDSC-UMB - 2 COMPARTMENT SS SOFT CLOSE FLUSH LID AND UMBILICAL GROMMET
37	FTP215A - TITAN PLATE TO SUIT 2 x ROUND 15A GPO	45	FT2LIDSC-UMB - 2 COMPARTMENT SOFT CLOSE RECESSED LID - WITH UMBILICAL GROMMET
38	FTP2RE - POWER PLATE F/W 2 x AUTO SWITCHED ROUND EARTH GPO	46	FTD2 - ADAPTER PLATE TO SUIT 2 x 50mm SINGLE TILE (PROVISION 2 x DATA)
39	FT2UC - FT2 UNDERCARRIAGE	47	FTD4 - ADAPTER PLATE TO SUIT 2 x 50mm DUAL TILE (PROVISION 4 x DATA)
40	FT2CH - FT2 100mm SCREED BOX		

TITAN FT2TP-SC

Technical Specification

CMS Titan FT2TP-SC screed floorbox lid, undercarriage and screed box assembly. Lid manufactured from stainless steel with 7mm recess provision for carpet tile insert. Undercarriage manufactured from black powder-coated mild steel. Screed box and cover manufactured from galvanised steel with knockouts for conduits. Load capacity: 150kg

ID No.	Part No. & Description
2	FT2LIDSC - STAINLESS SOFT-CLOSE FB2 RECESSED LID
39	FT2UC - FT2 UNDERCARRIAGE
40	FT2CH - FT2 100mm SCREED BOX



Disclaimer: CMS has made every attempt to ensure the accuracy and reliability of the information provided in this document are correct. All information contained in this document is to be used for general guidance only. CMS reserves the right to change, delete or modify the information without notice.