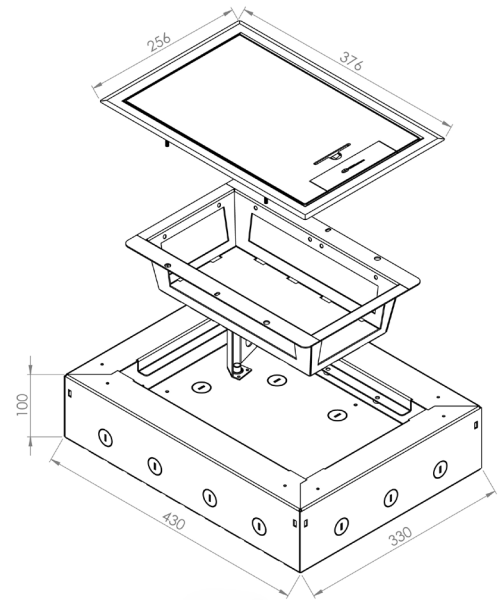


TITAN FT4TP

LID: ABS Plastic with recess provision for carpet tile

UNDERCARRIAGE: Screed Floor Assembly - 100mm Depth



Lid Features

- Carpet frame with recessed lid, manufactured from ABS plastic.
- 7mm lid recess for carpet tile.
- Easy-grab handle and functional cable exit when lid closed.
- Lock option available for security applications.

Undercarriage Features

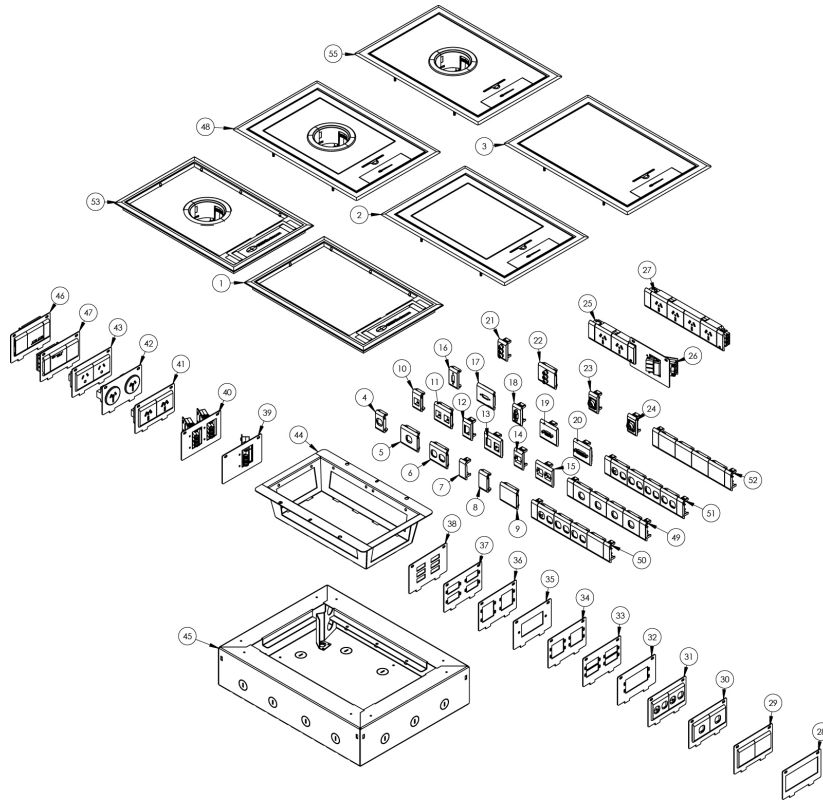
- Designed for AV Integration with Interchangeable mounting plates for Crestron, Extron, Kramer and AMX adapters.
- Wide range of modular soft/hardwired power, data and AV mounting plates.
- Durable galvanised screed box supplied with cover.
- CAT6, 6A and 7 Compliant.
- Custom brackets & plates available.
- Designed and manufactured in Australia

Technical Specification

Floor application	Screeded concrete floor
Cut-out dimension	L432mm x W332mm x D100mm
Lid recess dimension	L285mm x W205mm x D7mm
Lid specification	ABS plastic with recess provision for carpet tile insert.
Undercarriage and screed box specification	Undercarriage manufactured from black powder-coated mild steel. Screed box and cover manufactured from galvanised steel with knockouts for conduits.
Weight rating	120kg

TITAN FT4TP

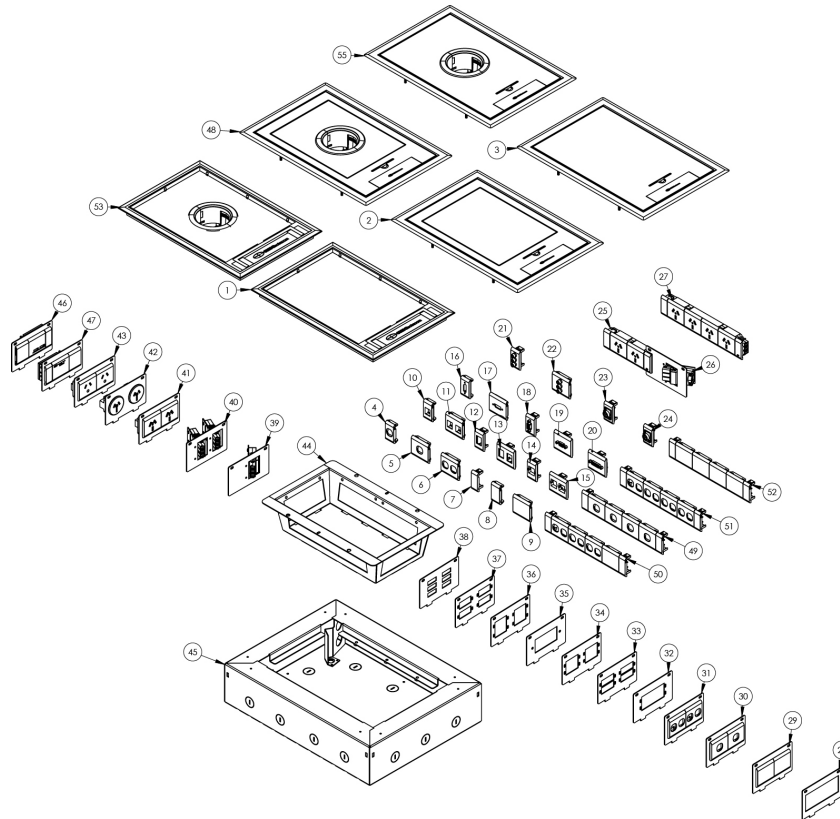
Component List



No.	Part No & Description	No.	Part No & Description
1	F4LID - APOLLO FLOORBOX PLASTIC LID	17	SW18CDP1 - 50mm TILE WITH PROVISION FOR DISPLAY PORT
2	FT4LIDSC - STAINLESS SOFT-CLOSE FB4 RECESSED	18	SW18BVV - 25mm TILE F/W VGA MINI GENDER BENDER
3	FTF4LIDSC - STAINLESS SOFT-CLOSE FB4 FLUSH	19	SW18CVV - 50mm TILE F/W VGA MINI GENDER BENDER
4	SW18B1 - 25mm SINGLE DATA TILE	20	SW18CDVI - 50mm DATA TILE - F/W DVI FEMALE CONNECTOR
5	SW18C1 - 50mm SINGLE DATA TILE	21	
6	SW18C2 - 50mm DUAL DATA TILE	22	
7	SW18A - 18mm blank tile	23	SW18BX3 - 25mm TILE F/W MINI XLR 3 PIN PLUG WITH SOLDER CUPS
8	SW18B - 25mm blank tile	24	SW18BX4 - 25mm TILE F/W MINI XLR 4 PIN PLUG WITH SOLDER CUPS
9	SW18C - 50mm BLANK TILE	25	FT1802L3H - DUAL AUTO SWITCHED POWER MODULE WITH REWIREABLE CONNECTOR
10	SW18B1K - 25mm SINGLE TILE TO SUIT KEYSTONE DATA	26	FTTAG+ - STARTER PLATE C/W REWIREABLE SOCKET (WITH OPENING TO SUIT ADJACENT CUT-OUT)
11	SW18CK2 - 50mm DUAL DATA TILE TO SUIT KEYSTONE JACKS	27	FT1804L3H - QUAD AUTO SWITCHED POWER MODULE WITH REWIREABLE CONNECTOR
12	SW18B1SE - 25mm SINGLE TILE TO SUIT SIEMON DATA	28	FTBPP - TITAN 100mm BLANK PLATE
13	SW18C2SE - 50mm DUAL DATA TILE TO SUIT SIEMON JACKS	29	FTBP - BLANK PLATE F/W 2 x 50mm BLANK TILES
14	SW18B1SM - 25mm SINGLE TILE TO SUIT SYSTIMAX DATA	30	FTD2 - ADAPTER PLATE TO SUIT 2 x 50mm SINGLE TILE (PROVISION 2 x DATA)
15	SW18C2SM - 50mm DUAL DATA TILE TO SUIT SYSTIMAX DATA	31	FTD4 - ADAPTER PLATE TO SUIT 2 x 50mm DUAL TILE (PROVISION 4 x DATA)
16	SW18BDP1 - 25mm TILE WITH PROVISION FOR DISPLAY PORT	32	FTEXAAP - AAP EXTRON ADAPTER PLATE TO SUIT 1 x DOUBLE OR 2 x SINGLE MODULES

TITAN FT4TP

Component List



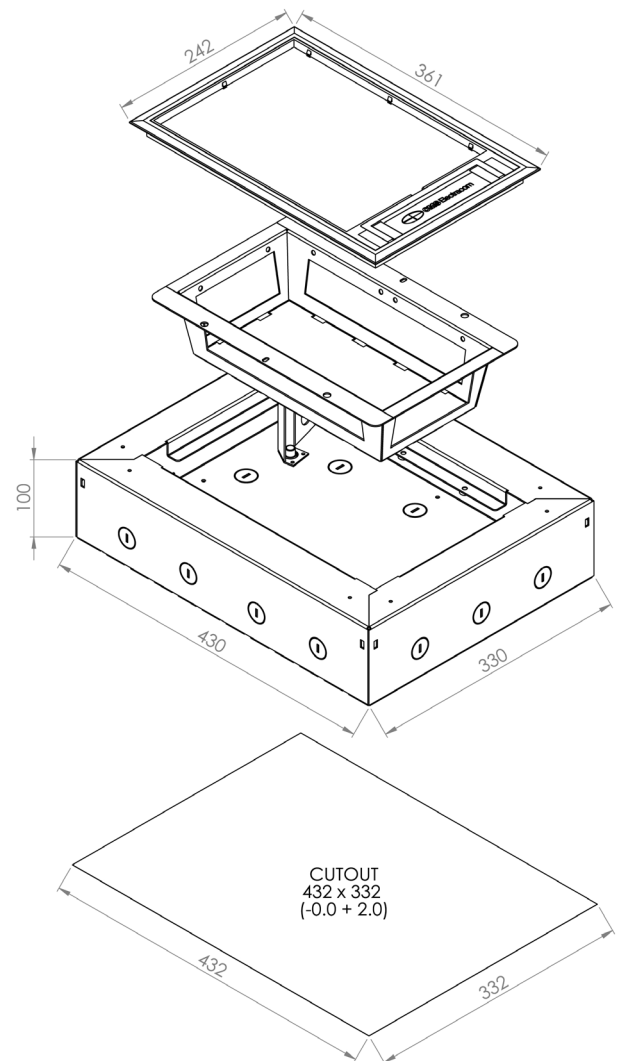
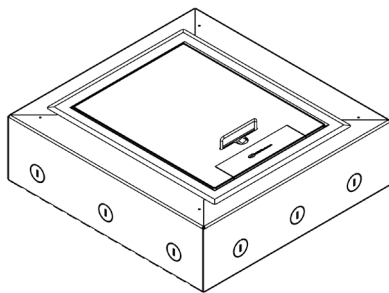
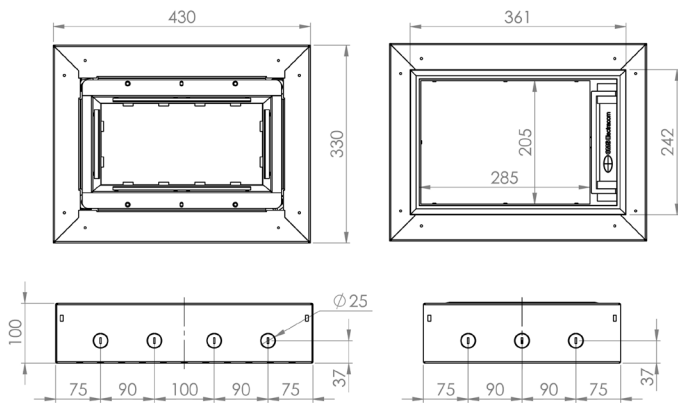
No.	Part No & Description	No.	Part No & Description
33	FTEXMAAP4 - TITAN FLOOR BOX MAAP EXTRON ADAPTER PLATE QUAD	45	FT4CH - FT4 100mm SCREED BOX
34	FTKRWD2 - TITAN FLOOR BOX KRAMER ADAPTER TO SUIT "W" xx DOUBLE MODULES	46	FTP2UBK - TITAN FB PLATE F/W DUAL USB-A CHARGER & BLANK
35	FTKRSD - KRAMER ADAPTER PLATE TO SUIT "SV" xx MODULES	47	FTP2UACBK - TITAN FB PLATE F/W DUAL USB TYPE A&C QUALCOMM Q/CHARGER & BLANK
36	FTEXMAAPD2 - TITAN FLOOR BOX MAAP EXTRON ADAPTER PLATE DOUBLE	48	FT4LIDSC-UMB - 4 COMPARTMENT STAINLESS SOFT CLOSE RECESSED LID AND UMBILICAL GROMMET
37	FTKRW4 - TITAN FLOOR BOX KRAMER ADAPTER PLATE TO SUIT "W" xx QUAD MODULES	49	FTD4C1BK - TITAN 4 COMPARTMENT 4 DATA TILE KIT
38	FTSCD - SC DUPLEX PLATE	50	FTD4C2CBK - TITAN 4 COMPARTMENT 6 DATA TILE KIT
39	FTTAG - STARTER PLATE C/W REWIREABLE SOCKET	51	FTD8C2BK - TITAN 4 COMPARTMENT 8 DTAT TILE KIT
40	FTTAG2 - DOUBLE STARTER FULL PLATE - REWIREABLE SOCKETS	52	FTD4BPBK - TITAN 4 COMPARTMENT BLANK TILE KIT
41	FTP2 - POWER PLATE F/W 2 x AUTO SWITCHED GPO	53	FT4LIDGY-UMB - 4 COMPARTMENT PLASTIC LID WITH GALVANISED STEEL LID INSERT AND UMBILICAL GROMMET
42	FTP215A - TITAN PLATE TO SUIT 2 x ROUND 15A GPO	54	FTF4LIDSC-UMB - STAINLESS SOFT CLOSE FB4 FLUSH LID WITH UMBILICAL GROMMET
43	FTP2RE - POWER PLATE F/W 2 x AUTO SWITCHED ROUND EARTH GPO	55	STAINLESS SOFT CLOSE FB4 FLUSH LID WITH UMBILICAL GROMMET
44	FT4UC - FT4 UNDERCARRIAGE		

TITAN FT4TP

Technical Specification

CMS Titan FT4TP screed floorbox lid, undercarriage and screed box assembly. Lid manufactured from ABS plastic with 7mm recess provision for carpet/tile Insert. Undercarriage manufactured from black powder-coated mild steel. Screed box and cover manufactured from galvanised steel with knockouts for conduits. Load capacity: 120kg

ID No.	Part No. & Description
1	F4LID - APOLLO FLOORBOX PLASTIC LID
44	FT4UC - FT4 UNDERCARRIAGE
45	FT4CH - FT4 100mm SCREED BOX

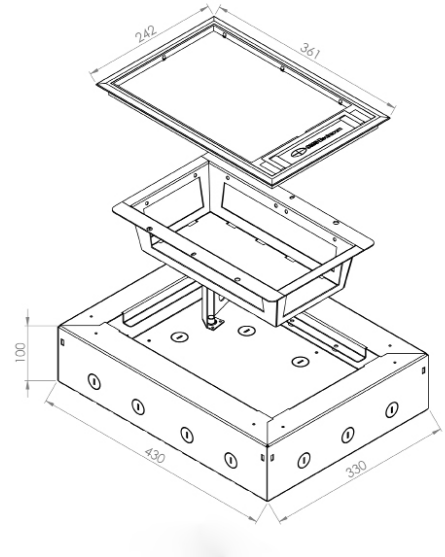


Disclaimer: CMS has made every attempt to ensure the accuracy and reliability of the information provided in this document are correct. All information contained in this document is to be used for general guidance only. CMS reserves the right to change, delete or modify the information without notice.

TITAN FT4TP-SC

LID: Stainless steel with recess provision for carpet tile

UNDERCARRIAGE: Screed Floor Assembly - 100mm Depth



Lid Features

- Soft-closing lid with radius edges minimises risk of accidental impact and potential cable damage
- 7mm lid recess for carpet or vinyl tile.
- Easy-grab handle and functional cable exit when lid closed.
- Lock option available for security applications.

Undercarriage Features

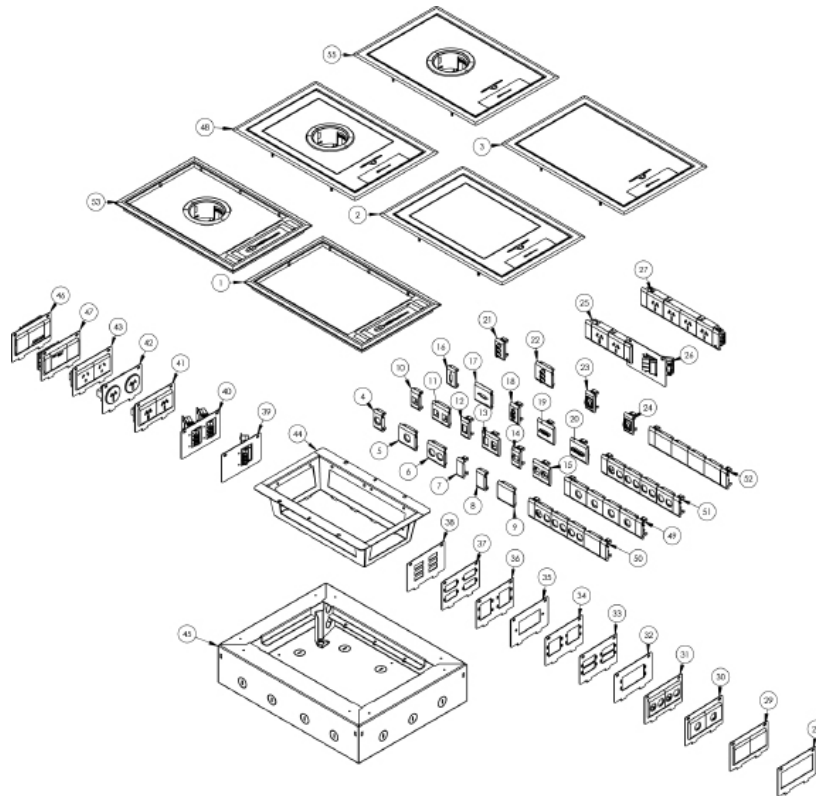
- Designed for AV Integration with Interchangeable mounting plates for Crestron, Extron, Kramer and AMX adapters.
- Wide range of modular soft/hardwired power, data and AV mounting plates.
- Durable galvanised screed box supplied with cover.
- CAT6, 6A and 7 Compliant.
- Custom brackets & plates available.
- Designed and manufactured in Australia.

Technical Specification

Floor application	Screeded concrete floor
Cut-out dimension	L432mm x W332mm x D100mm
Lid recess dimension	L230mm x W174mm x D7mm
Lid specification	Stainless steel with recess provision for carpet tile insert.
Undercarriage and screed box specification	Undercarriage manufactured from black powder-coated mild steel. Screed box and cover manufactured from galvanised steel with knockouts for conduits.
Weight rating	150kg

TITAN FT4TP-SC

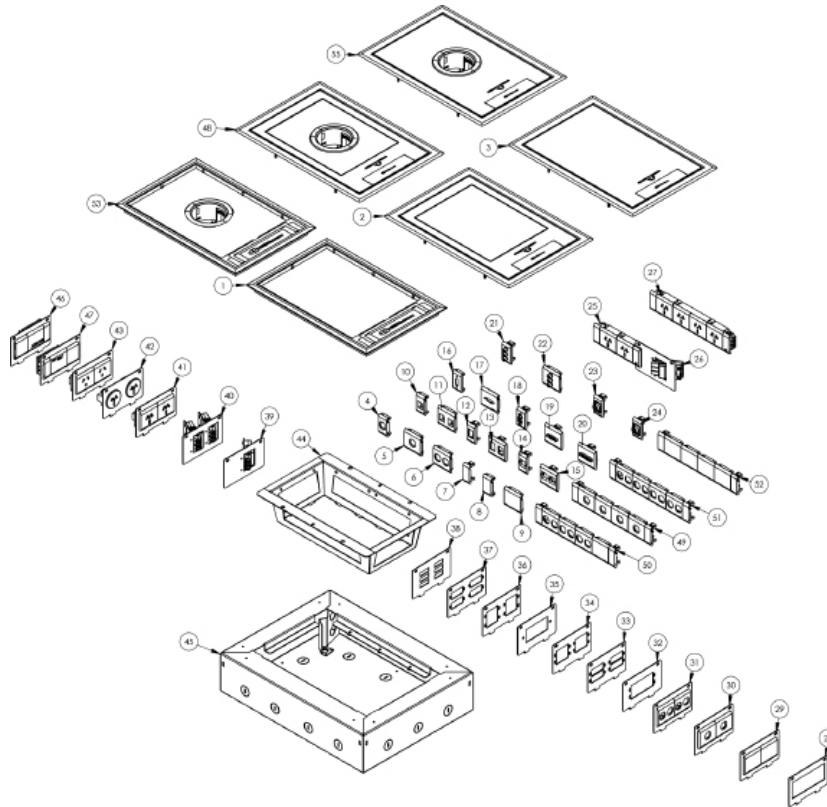
Component List



No.	Part No & Description	No.	Part No & Description
1	F4LID - APOLLO FLOORBOX PLASTIC LID	17	SW18CDP1 - 50mm TILE WITH PROVISION FOR DISPLAY PORT
2	FT4LIDSC - STAINLESS SOFT-CLOSE FB4 RECESSED	18	SW18BVV - 25mm TILE F/W VGA MINI GENDER BENDER
3	FTF4LIDSC - STAINLESS SOFT-CLOSE FB4 FLUSH	19	SW18CVV - 50mm TILE F/W VGA MINI GENDER BENDER
4	SW18B1 - 25mm SINGLE DATA TILE	20	SW18CDVI - 50mm DATA TILE - F/W DVI FEMALE CONNECTOR
5	SW18C1 - 50mm SINGLE DATA TILE	21	
6	SW18C2 - 50mm DUAL DATA TILE	22	
7	SW18A - 18mm blank tile	23	SW18BX3 - 25mm TILE F/W MINI XLR 3 PIN PLUG WITH SOLDER CUPS
8	SW18B - 25mm blank tile	24	SW18BX4 - 25mm TILE F/W MINI XLR 4 PIN PLUG WITH SOLDER CUPS
9	SW18C - 50mm BLANK TILE	25	FT1802L3H - DUAL AUTO SWITCHED POWER MODULE WITH REWIREABLE CONNECTOR
10	SW18B1K - 25mm SINGLE TILE TO SUIT KEYSTONE DATA	26	FTTAG+ - STARTER PLATE C/W REWIREABLE SOCKET (WITH OPENING TO SUIT ADJACENT CUT-OUT)
11	SW18CK2 - 50mm DUAL DATA TILE TO SUIT KEYSTONE JACKS	27	FT1804L3H - QUAD AUTO SWITCHED POWER MODULE WITH REWIREABLE CONNECTOR
12	SW18B1SE - 25mm SINGLE TILE TO SUIT SIEMON DATA	28	FTBPP - TITAN 100mm BLANK PLATE
13	SW18C2SE - 50mm DUAL DATA TILE TO SUIT SIEMON JACKS	29	FTBP - BLANK PLATE F/W 2 x 50mm BLANK TILES
14	SW18B1SM - 25mm SINGLE TILE TO SUIT SYSTIMAX DATA	30	FTD2 - ADAPTER PLATE TO SUIT 2 x 50mm SINGLE TILE (PROVISION 2 x DATA)
15	SW18C2SM - 50mm DUAL DATA TILE TO SUIT SYSTIMAX DATA	31	FTD4 - ADAPTER PLATE TO SUIT 2 x 50mm DUAL TILE (PROVISION 4 x DATA)
16	SW18BDP1 - 25mm TILE WITH PROVISION FOR DISPLAY PORT	32	FTEXAAP - AAP EXTRON ADAPTER PLATE TO SUIT 1 x DOUBLE OR 2 x SINGLE MODULES

TITAN FT4TP-SC

Component List



No.	Part No & Description	No.	Part No & Description
33	FTEXMAAP4 - TITAN FLOOR BOX MAAP EXTRON ADAPTER PLATE QUAD	44	FT4UC - FT4 UNDERCARRIAGE
34	FTKRWD2 - TITAN FLOOR BOX KRAMER ADAPTER TO SUIT "W" xx DOUBLE MODULES	45	FT4CH - FT4 100mm SCREED BOX
35	FTKRSV - KRAMER ADAPTER PLATE TO SUIT "SV" xx MODULES	46	FTP2UBK - TITAN FB PLATE F/W DUAL USB-A CHARGER & BLANK
36	FTEXMAAPD2 - TITAN FLOOR BOX MAAP EXTRON ADAPTER PLATE DOUBLE	47	FTP2UACBK - TITAN FB PLATE F/W DUAL USB TYPE A&C QUALCOMM Q/CHARGER & BLANK
37	FTKRW4 - TITAN FLOOR BOX KRAMER ADAPTER PLATE TO SUIT "W" xx QUAD MODULES	48	FT4LIDSC-UMB - 4 COMPARTMENT STAINLESS SOFT CLOSE RECESSED LID AND UMBILICAL GROMMET
38	FTSCD - SC DUPLEX PLATE	49	FTD4C1BK - TITAN 4 COMPARTMENT 4 DATA TILE KIT
39	FTTAG - STARTER PLATE C/W REWIREABLE SOCKET	50	FTD4C2CBK - TITAN 4 COMPARTMENT 6 DATA TILE KIT
40	FTTAG2 - DOUBLE STARTER FULL PLATE - REWIREABLE SOCKETS	51	FTD8C2BK - TITAN 4 COMPARTMENT 8 DTAT TILE KIT
41	FTP2 - POWER PLATE F/W 2 x AUTO SWITCHED GPO	52	FTD4BPBK - TITAN 4 COMPARTMENT BLANK TILE KIT
42	FTP215A - TITAN PLATE TO SUIT 2 x ROUND 15A GPO	53	FT4LIDGY-UMB - 4 COMPARTMENT PLASTIC LID WITH GALVANISED STEEL LID INSERT AND UMBILICAL GROMMET
43	FTP2RE - POWER PLATE F/W 2 x AUTO SWITCHED ROUND EARTH GPO	55	FTF4LIDSC-UMB - STAINLESS SOFT CLOSE FB4 FLUSH LID WITH UMBILICAL GROMMET

TITAN FT4TP-SC

Technical Specification

CMS Titan FT4TP-SC screed floorbox lid, undercarriage and screed assembly. Lid manufactured from stainless steel with 7mm recess provision for carpet tile insert. Undercarriage manufactured from black powder-coated mild steel. Screed box and cover manufactured from galvanised steel with knockouts for conduits. Load capacity: 150kg

ID No.	Part No. & Description
2	FT4LIDSC - STAINLESS SOFT-CLOSE FB4 RECESSED LID
44	FT4UC - FT4 UNDERCARRIAGE
45	FT4CH - FT4 100mm SCREED BOX

