
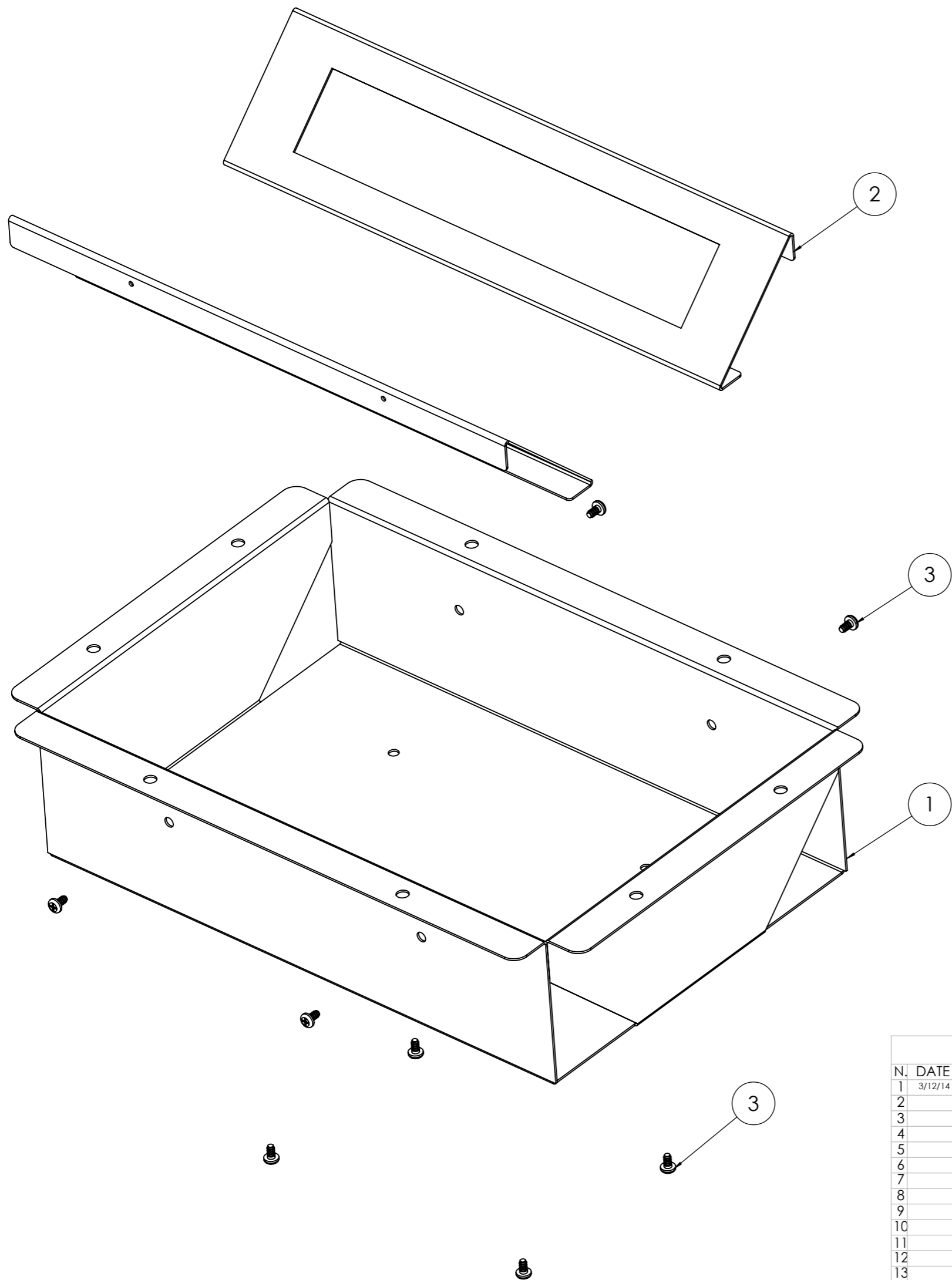


REVISION HISTORY			UNLESS OTHERWISE SPECIFIED: DIMENSIONS ARE IN MILLIMETERS		DO NOT SCALE DRAWING		REVISION 1	
N.	DATE	MODIFICATIONS	TOLERANCES		 TITLE: UC-01 assembly			
1	3/12/14	ISSUED FOR MANUFACTURING	0.00 ± 0.02	ANGULAR ± 0.5°				
2			0.0 ± 0.1		DWG NO. LU7636 PART NO. TBC			
3			0 ± 0.5					
4			DIMENSIONS IN AN OBOUNDED ARE CRITICAL & MUST BE CHECKED		SCALE NTS SHEET 1 OF 2			
5			THE MATERIAL CONTAINED HEREIN IS THE SOLE PROPERTY OF CMS ELECTRACOM. ANY UNAUTHORIZED REPRODUCTIONS, MODIFICATIONS AND / OR DISTRIBUTION IS STRICTLY PROHIBITED.					
6			NAME		A3			
7			DATE					
8			LL		FILE ON SHARED\CAD:			
9			3/12/14					
10			MATERIAL: X		FILE ON NAS:			
11			FINISH: X					
12			Z:\Work files\Desk boxes\UC01 UC02					
13								



ITEM NO.	PART NUMBER	QTY.
1	LU7637_V1_UC-01 chassis	1
2	LU7638_V1_UC-01 amenities plate	2
3	6G x 1/4" pan head screw	8

REVISION HISTORY		UNLESS OTHERWISE SPECIFIED: DIMENSIONS ARE IN MILLIMETERS		DO NOT SCALE DRAWING		REVISION 1	
N.	DATE	MODIFICATIONS		TOLERANCES		TITLE:	
1	3/12/14	ISSUED FOR MANUFACTURING		0.00 ± 0.02 ANGULAR ± 0.5° 0.0 ± 0.1 0 ± 0.5		UC-01 assembly	
2				DIMENSIONS IN AN OBOUND ARE CRITICAL & MUST BE CHECKED			
3				THE MATERIAL CONTAINED HEREIN IS THE SOLE PROPERTY OF CMS ELECTRACOM. ANY UNAUTHORIZED REPRODUCTIONS, MODIFICATIONS AND / OR DISTRIBUTION IS STRICTLY PROHIBITED.			
4				NAME		DATE	
5				LL		3/12/14	
6				MATERIAL:		X	
7				FINISH:		X	
8				FILE ON SHARED\CAD:		H:\WellSource\CAD\Current Production Drawings	
9				FILE ON NAS:		Z:\Work files\Desk boxes\UC01 UC02	
10				DWG NO.		LU7636	
11				PART NO.		UC-01	
12				SCALE		NTS	
13				SHEET		2 OF 2	



A3