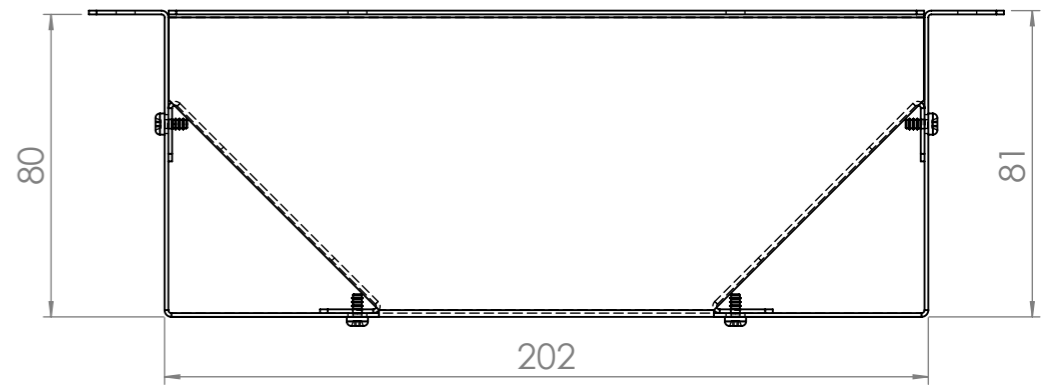
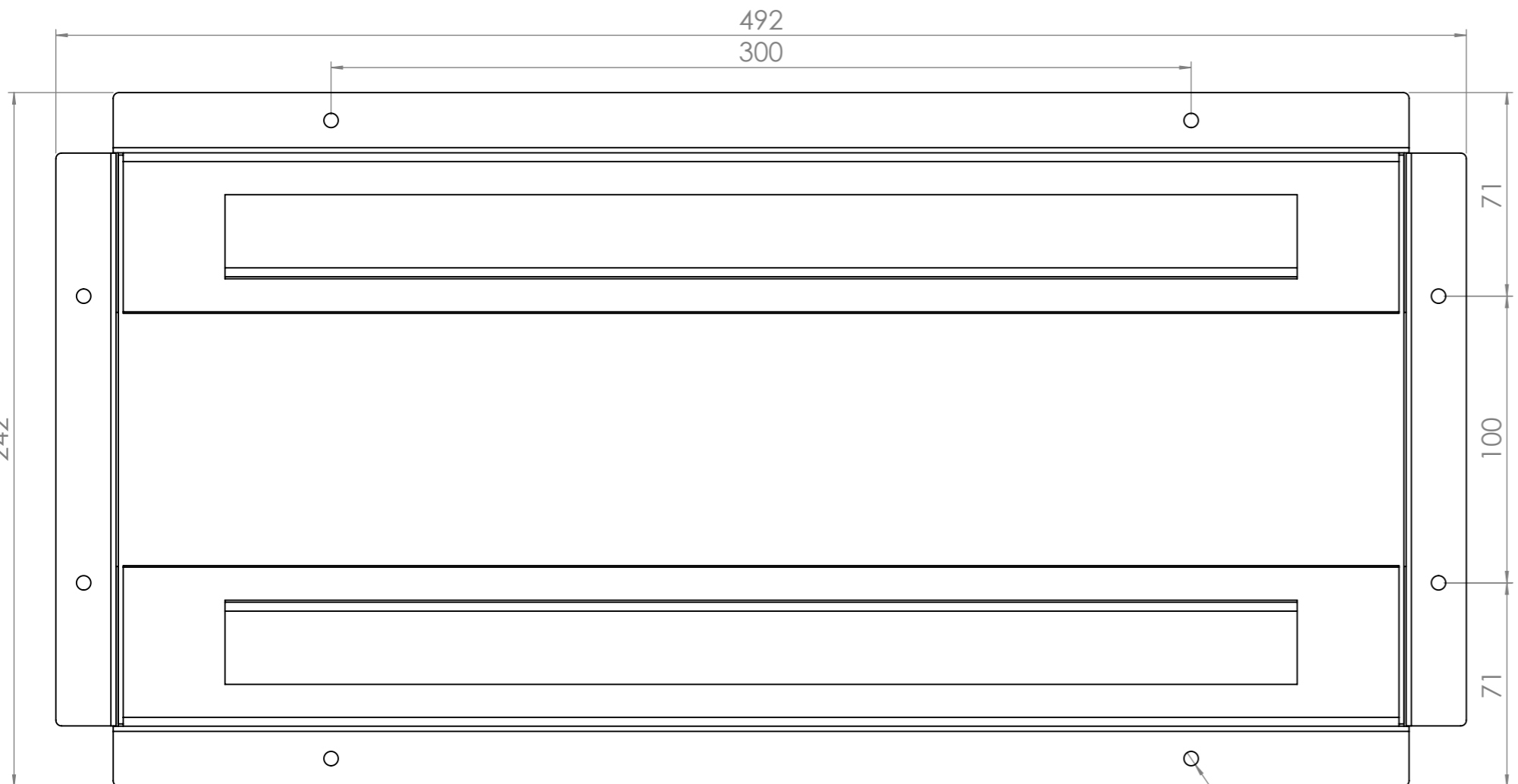


FRONT VIEW

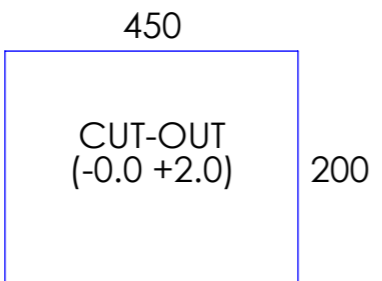
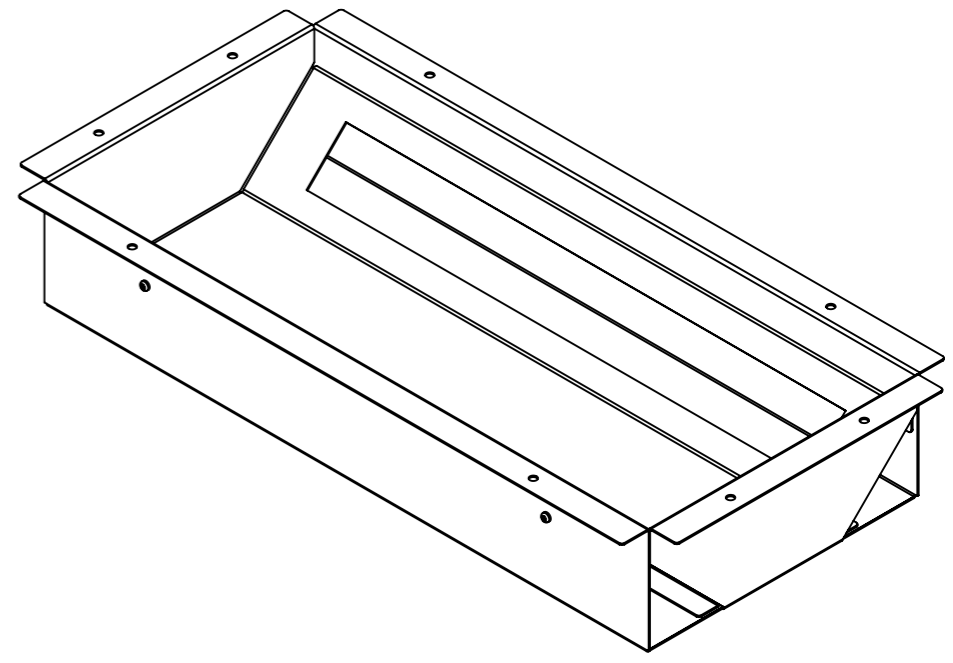


END VIEW

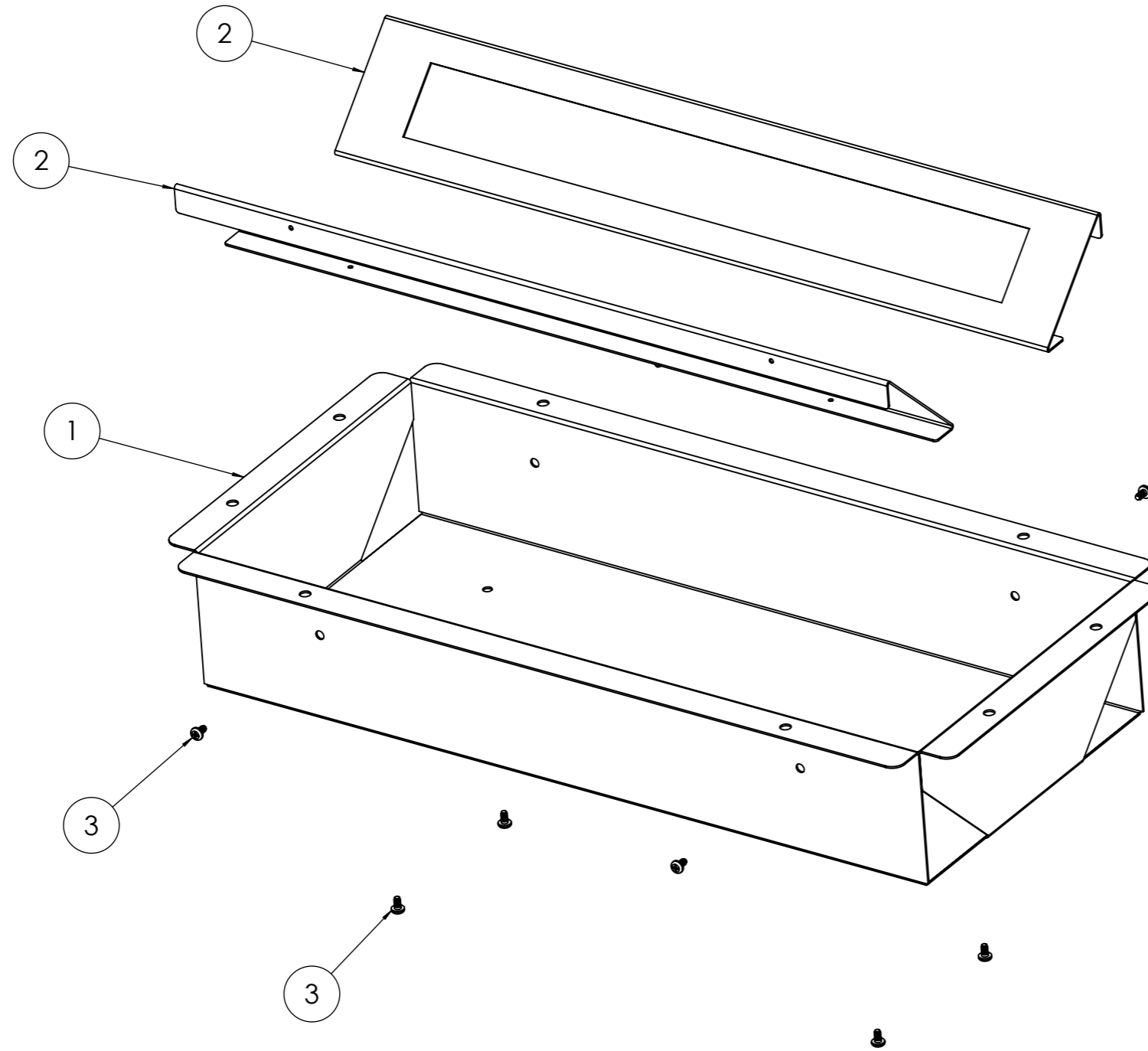


TOP VIEW


Ø5



REVISION HISTORY		UNLESS OTHERWISE SPECIFIED: DIMENSIONS ARE IN MILLIMETERS		DO NOT SCALE DRAWING		REVISION 1	
N.	DATE	MODIFICATIONS		TOLERANCES		TITLE:	
1	3/12/14	ISSUED FOR MANUFACTURING		0.00 ± 0.02 ANGULAR ± 0.5°		CMS Electracom	
2				0.0 ± 0.1			
3				0 ± 0.5		UC-02 assembly	
4				DEBUR AND BREAK SHARP EDGES			
5				THE MATERIAL CONTAINED HEREIN IS THE SOLE PROPERTY OF CMS ELECTRACOM. ANY UNAUTHORIZED REPRODUCTIONS, MODIFICATIONS AND / OR DISTRIBUTION IS STRICTLY PROHIBITED.		DWG NO. LU7633	
6				NAME DATE		PART NO. TBC	
7				LUCKY 3/12/14		SCALE NTS SHEET 1 OF 2	
8				MATERIAL: X		A3	
9				FINISH: X			
10				FILE ON SHARED\CAD:			
11				H:\Melbourne\CAD\Current Production Drawings			
12				FILE ON NAS:			
13				Z:\Work files\Desk boxes\UC01 UC02			



ITEM NO.	PART NUMBER	QTY.
1	LU7634_V1_UC-02 chassis	1
2	LU7635_V1_UC-02 amenities plate	2
3	6G x 1/4" pan head screw	8

REVISION HISTORY		UNLESS OTHERWISE SPECIFIED: DIMENSIONS ARE IN MILLIMETERS		DO NOT SCALE DRAWING		REVISION 1	
N.	DATE	MODIFICATIONS		TOLERANCES		 TITLE: <b>UC-02 assembly</b>	
1	3/12/14	ISSUED FOR MANUFACTURING		0.00 ±0.02 ANGULAR ± 0.5° 0.0 ±0.1 0 ±0.5			
2				DEBUR AND BREAK SHARP EDGES			
3				THE MATERIAL CONTAINED HEREIN IS THE SOLE PROPERTY OF CMS ELECTRACOM. ANY UNAUTHORIZED REPRODUCTIONS, MODIFICATIONS AND / OR DISTRIBUTION IS STRICTLY PROHIBITED.			
4				NAME		DATE	
5				LUCKY		3/12/14	
6				MATERIAL: X		DWG NO. LU7633	
7				FINISH: X		PART NO. TBC	
8				FILE ON SHARED\CAD: H:\Melbourne\CAD\Current Production Drawings		SCALE NTS SHEET 2 OF 2	
9				FILE ON NAS: Z:\Work files\Desk boxes\UC01 UC02		A3	
10							
11							
12							
13							