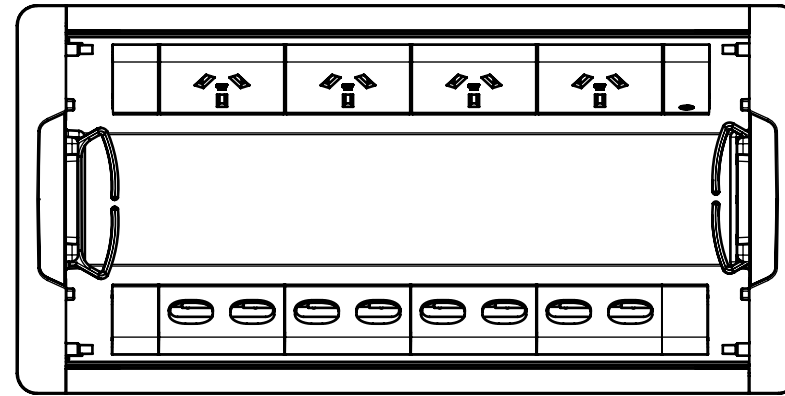
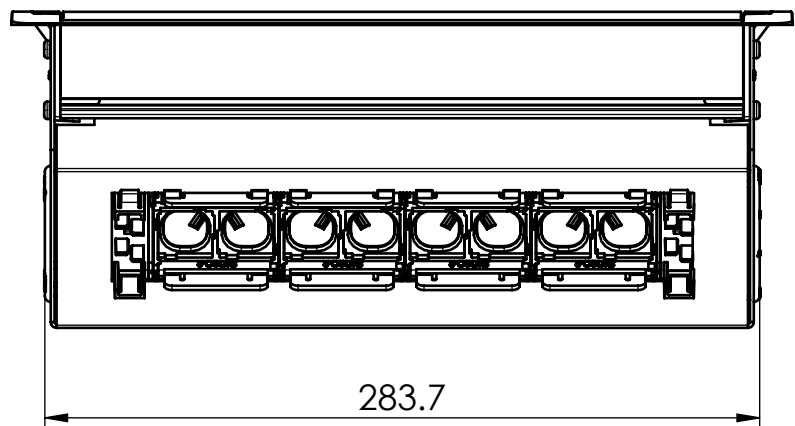


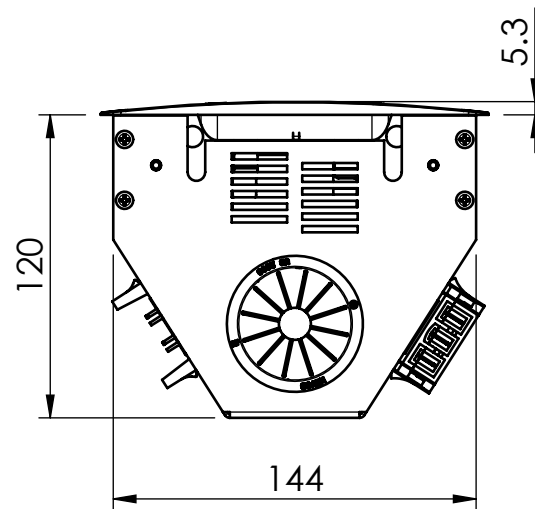
TOP



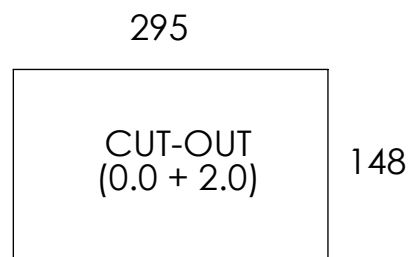
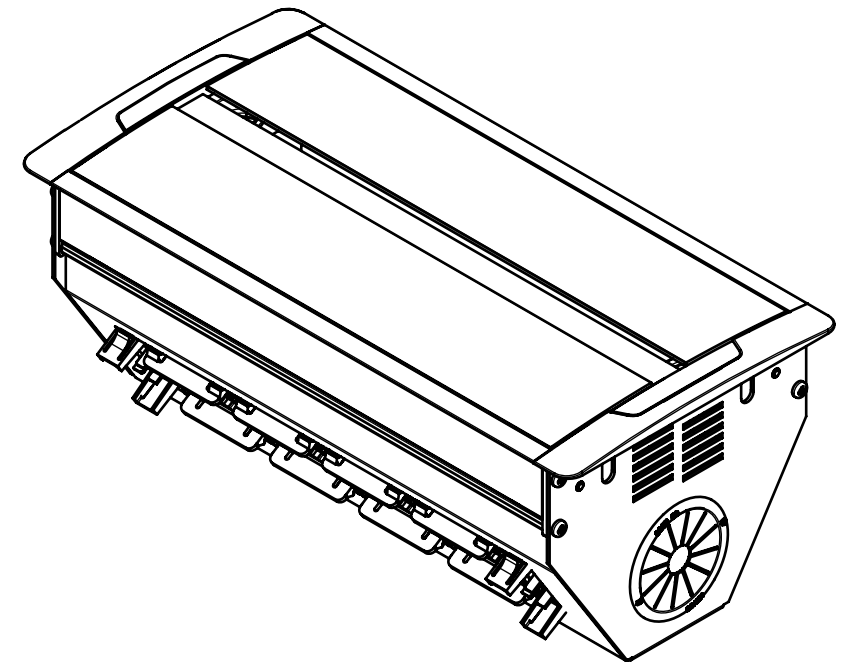
TOP NO LID



FRONT



SIDE



CUSTOMER SIGNATURE:	
MATERIAL:	ALUMINIUM
FINISH:	VARIOUS
COLOUR:	VARIOUS

TOLERANCES UNLESS OTHERWISE STATED:

- X ±0.5
- X.X ±0.2
- X.XX ±0.1
- X.XXX ±0.05
- ANG ±0.5°

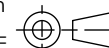


TITLE:
ACD0408

DRAWING: LU22326 **REV:** 1 **A3**

THIS DRAWING & ASSOCIATED CAD FILES ARE ISSUED IN THE STRICTEST CONFIDENCE AND ARE ONLY TO BE USED IN THE COMMERCIAL INTERESTS OF CMS ELECTRACOM PTY LTD

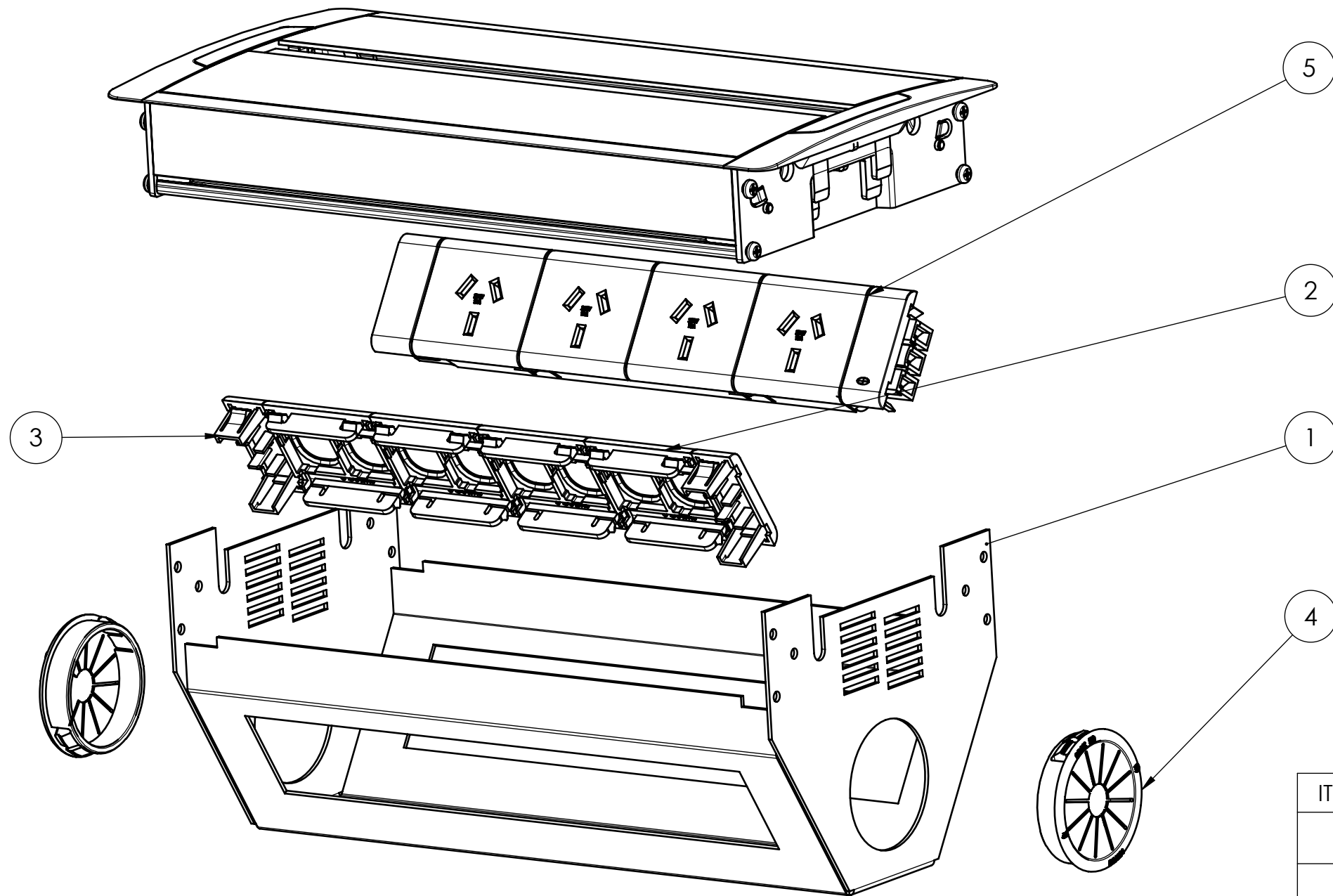
DRAWN IN mm TO AS1100 DO NOT SCALE



SCALE 1:3

SHEET 1 OF 2

1	RELEASED FOR PRODUCTION	05/09/2017	JC	AP
REV	DESCRIPTION	DATE	DRWN	APPV
REVISIONS				



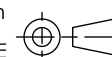
ITEM NO.	PART NUMBER	QTY.
1	LU22318_ACD0408 BLANK ASSEMBLY	1
2	SW18C-2	4
3	SW18A	2
4	Heyco 2422 grommet	2
5	SW1804	1

CUSTOMER SIGNATURE:	
MATERIAL:	ALUMINIUM
FINISH:	VARIOUS
COLOUR:	VARIOUS
THIS DRAWING & ASSOCIATED CAD FILES ARE ISSUED IN THE STRICTEST CONFIDENCE AND ARE ONLY TO BE USED IN THE COMMERCIAL INTERESTS OF CMS ELECTRACOM PTY LTD	

TOLERANCES UNLESS OTHERWISE STATED:

X ±0.5
 X.X ±0.2
 X.XX ±0.1
 X.XXX ±0.05
 ANG ±0.5°

DRAWN IN mm TO AS1100 DO NOT SCALE



 **CMS Electracom** COPYRIGHT © 2015

TITLE:
 ACD0408

DRAWING: LU22326	REV: 1	A3
SCALE 1:2	SHEET 2 OF 2	