

TECH HUB

Installation Instructions

Package Contents:

The Tech Hub consists of two units, the Power unit and Tech Hub unit. Depending on your order, these units may be supplied to you pre-assembled from the factory or separate.

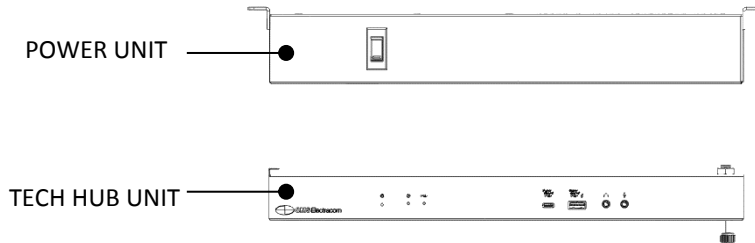


Figure 1

Installing the unit to the furniture

Mount the Power Unit to the furniture using 4 screws (screws not provided). Choose the appropriate screw based on the furniture.

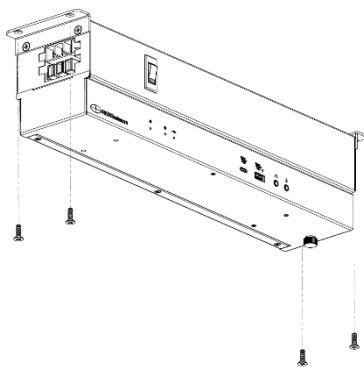


Figure 2

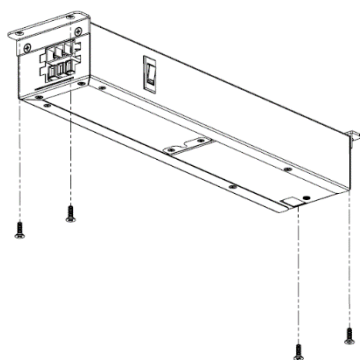


Figure 3

Assembling Tech Hub unit to Power unit. (Only required if the Tech hub unit was supplied separate)

- i. Connect the DC lead from the Power Unit to the connector on the PCB Unit

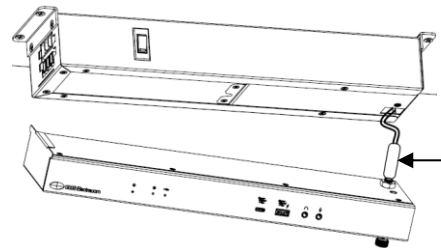


Figure 4

- ii. Hook the tab on the PCB Unit to the slot on the Power Unit

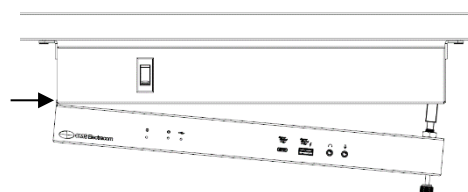


Figure 5

- iii. Align the thumb screw to the screw hole and rotate clockwise to tighten

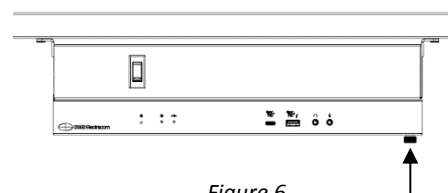


Figure 6