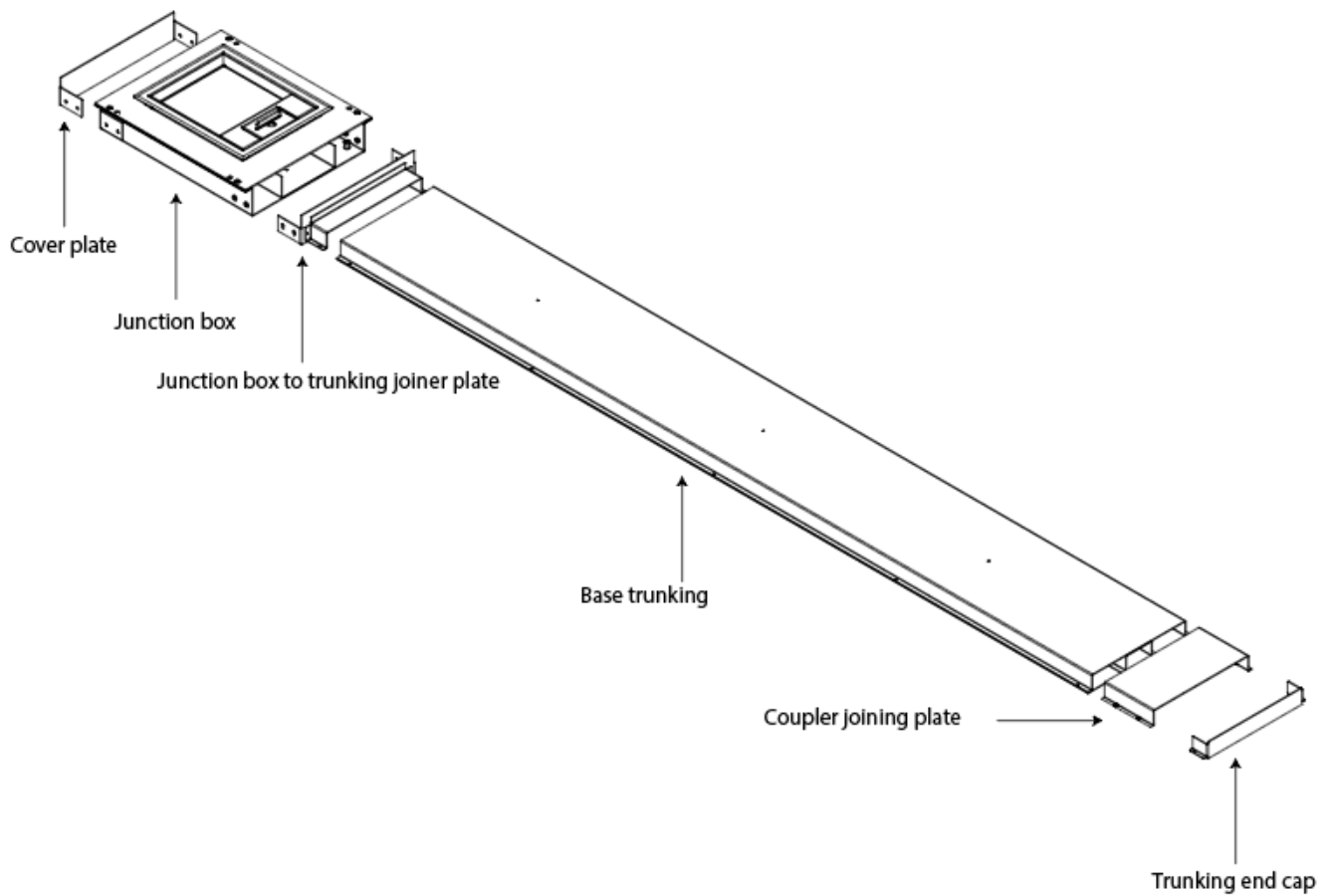
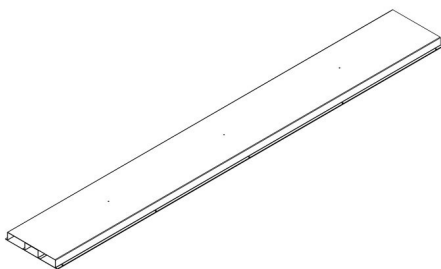


# SCREED TRUNKING

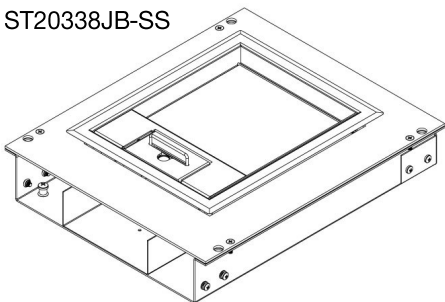


## Base Trunking



## Junction Boxes

ST20338JB-SS



### Special Features:

- Simple to install
- Sturdy construction
- 2mm thick steel trunking
- 2 compartment floorbox
- Moulded carpet trim or stainless steel lid

### ORDERING INFORMATION

PART NO.	DESCRIPTION
ST20038	Base trunking - Large capacity - (L)2000mm x (W)250mm x (D)38mm

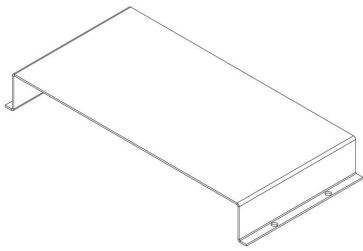
### Special Features:

- Adjustable height for easy levelling

### ORDERING INFORMATION

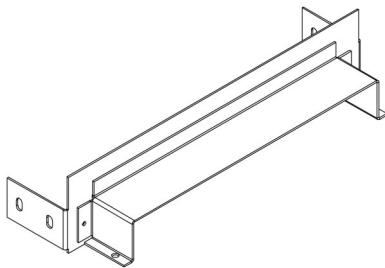
PART NO.	DESCRIPTION
ST20338JB	Junction Box 3 Compartment c/w FL4 plastic lid - (L)404.6 x (W)335 x (H)70mm
ST20338JB-SS	Junction Box 3 Compartment c/w s/steel lid with 22mm infill - (L)404.6 x (W)335 x (H)70mm

### Joiner Plate



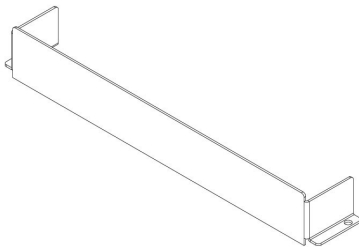
ORDERING INFORMATION	
PART NO.	DESCRIPTION
ST20338JP	Coupler joining plate

### Joiner - Junction Box to Trunking



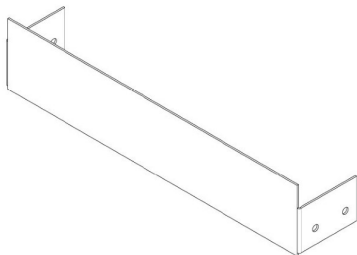
ORDERING INFORMATION	
PART NO.	DESCRIPTION
ST20338AJP	Junction box to trunking joiner plate

### End Plate - Trunking



ORDERING INFORMATION	
PART NO.	DESCRIPTION
ST20638	End cap to suit 38mm trunking

### Cover Plate - Junction Box



ORDERING INFORMATION	
PART NO.	DESCRIPTION
ST20338JBEC	3 compartment 70mm junction box cover plate