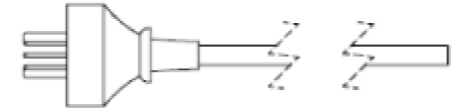
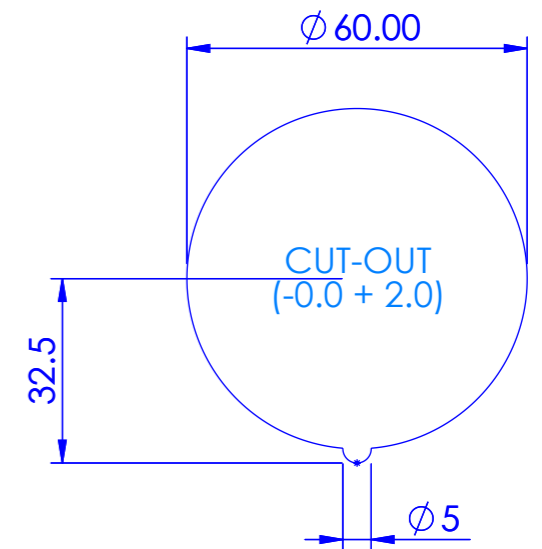



NOTE:



CABLE TYPE: 1MM²
 PART NUMBER:
 DESCRIPTION: AUSTRALIAN PLUG LEAD
 LENGTH: 1500MM



PART NUMBER: ECRC01G15

CUSTOMER SIGNATURE:		TOLERANCES UNLESS OTHERWISE STATED: X ±0.5 X.X ±0.2 X.XX ±0.1 X.XXX ±0.05 ANG ±0.5°	 CMS Electracom		COPYRIGHT © 2015		
MATERIAL:			TITLE: ECLIPSE WITH AUS GPO AND 3 PIN PLUG				
FINISH:			DRAWING: LU25924				
COLOUR:			VARIOUS		REV: 1		
THIS DRAWING & ASSOCIATED CAD FILES ARE ISSUED IN THE STRICTEST CONFIDENCE AND ARE ONLY TO BE USED IN THE COMMERCIAL INTERESTS OF CMS ELECTRACOM PTY LTD		DRAWN IN mm TO AS1100 DO NOT SCALE		SCALE 3:4		SHEET 1 OF 2	

1	RELEASED FOR PRODUCTION	13/06/2018	JC	AP
REV	DESCRIPTION	DATE	DRWN	APPV
REVISIONS				

A3