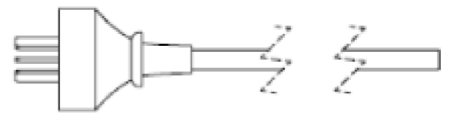
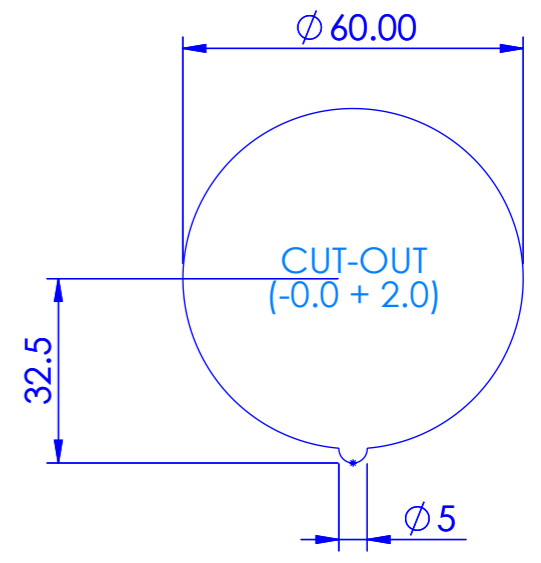
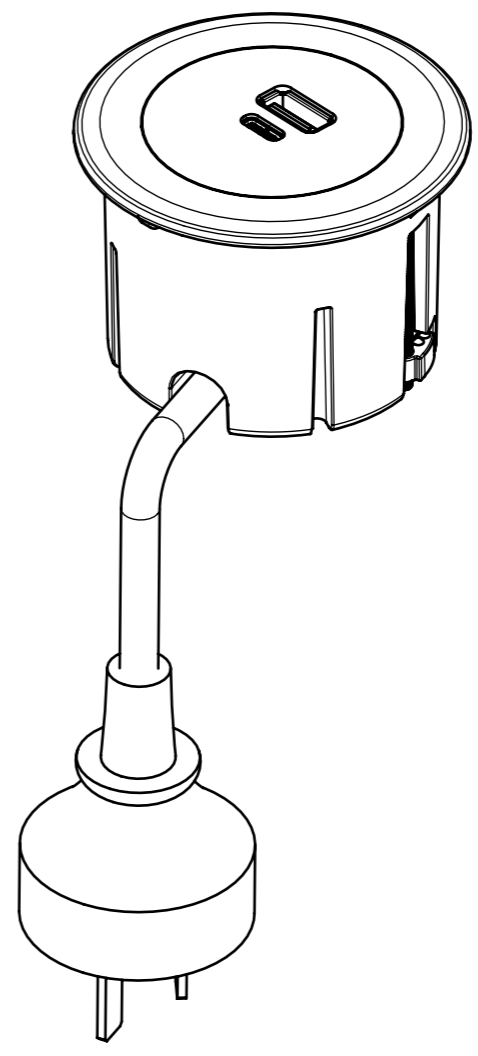
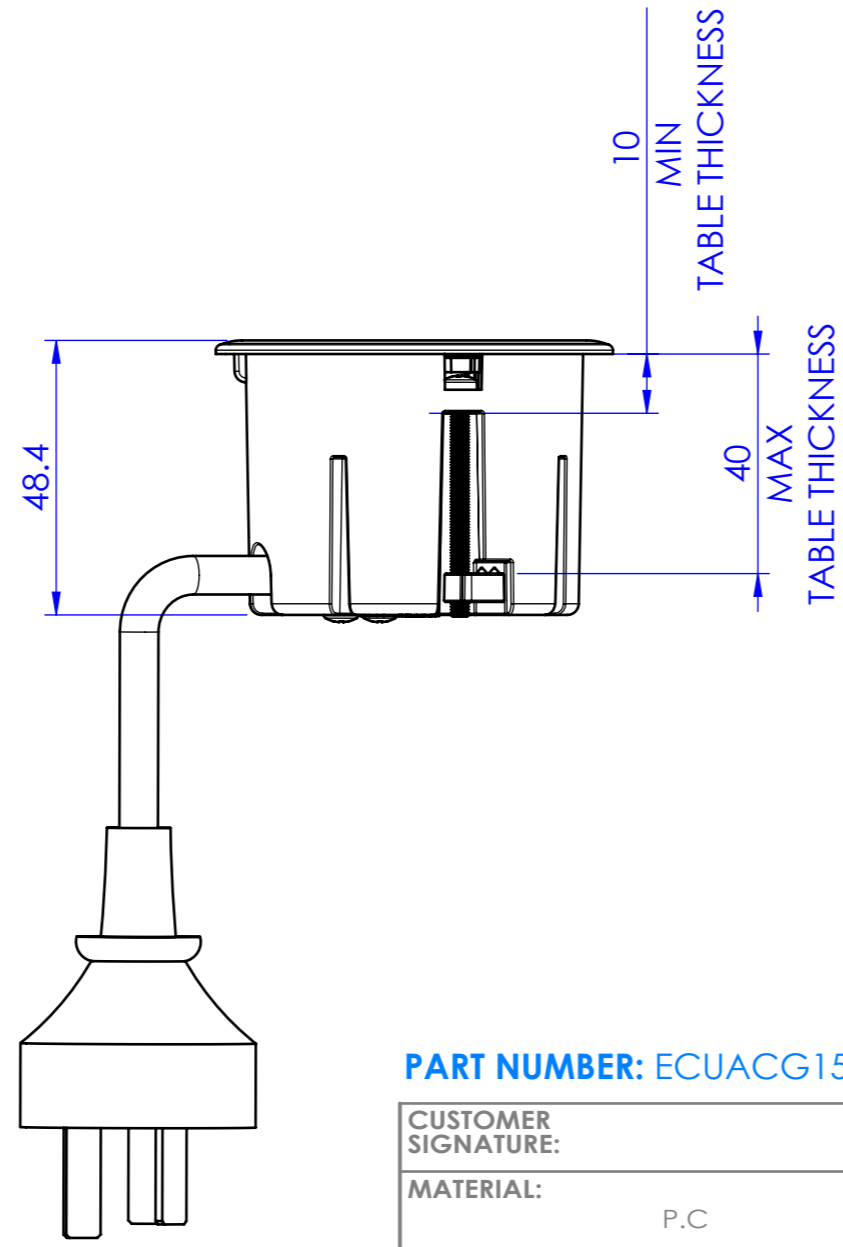
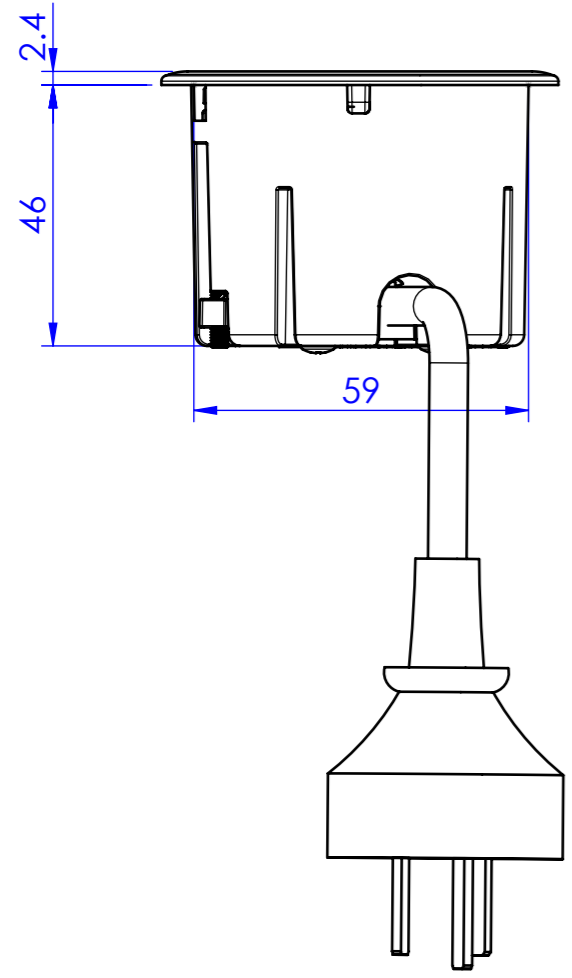
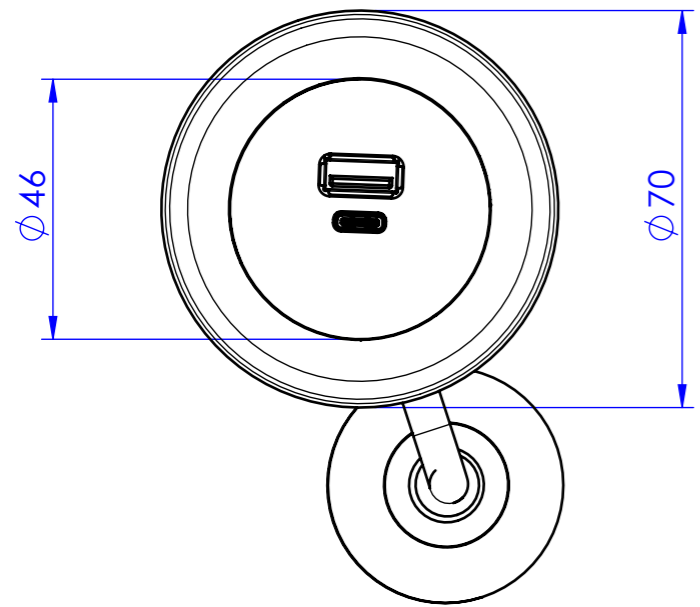


NOTE:



CABLE TYPE: 1MM²
 PART NUMBER:
 DESCRIPTION: AUSTRALIAN PLUG LEAD
 LENGTH: 1000MM



PART NUMBER: ECUACG15

CUSTOMER SIGNATURE:		TOLERANCES UNLESS OTHERWISE STATED: X ±0.5 X.X ±0.2 X.XX ±0.1 X.XXX ±0.05 ANG ±0.5°
MATERIAL:	P.C	
FINISH:	POLISHED	
COLOUR:	VARIOUS	
THIS DRAWING & ASSOCIATED CAD FILES ARE ISSUED IN THE STRICTEST CONFIDENCE AND ARE ONLY TO BE USED IN THE COMMERCIAL INTERESTS OF CMS ELECTRACOM PTY LTD		DRAWN IN mm TO AS1100 DO NOT SCALE



TITLE: ECLIPSE WITH USB AND 3 PIN PLUG		
DRAWING: LU27414	REV: 1	A3
SCALE 3:4	SHEET 1 OF 2	

1	RELEASED FOR QUOTATION NOT FOR PRODUCTION	13/06/2018	JC	AP
REV	DESCRIPTION	DATE	DRWN	APPV
REVISIONS				