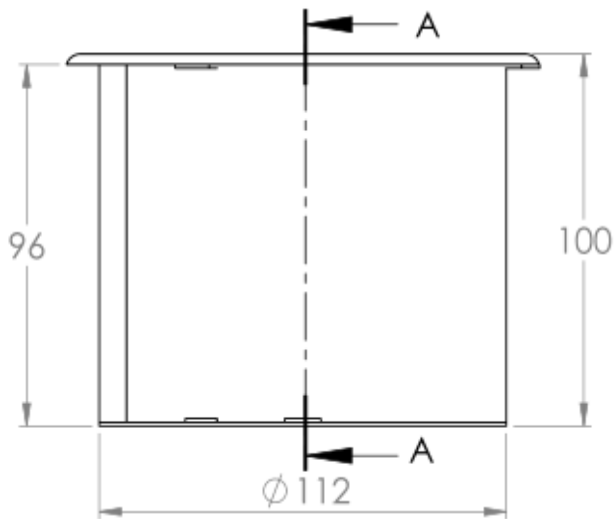


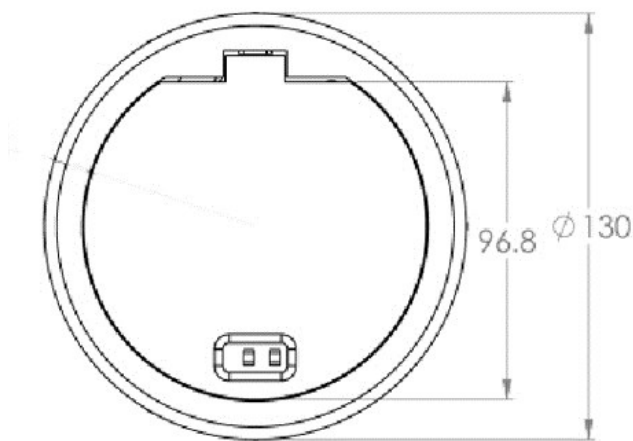
Floorbox Application

Type: Carpet Trim IP65 rated Floorbox

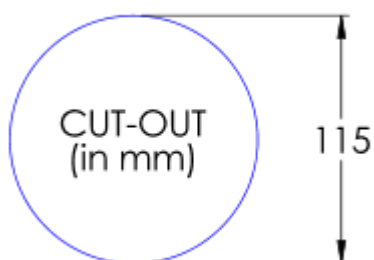
Part No: GESRM2-CT



Side view



top view



STEP 1: CREATE CUT OUT IN FLOOR
SUIT SPECIFIC BOX

STEP 2: POSITION BOX INTO CUTOUT

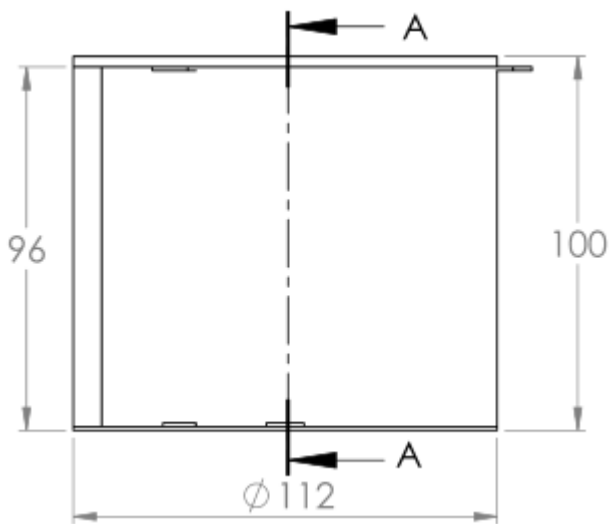
STEP 3:

FOR MORE INFORMATION GO TO:
www.cmselectra.com

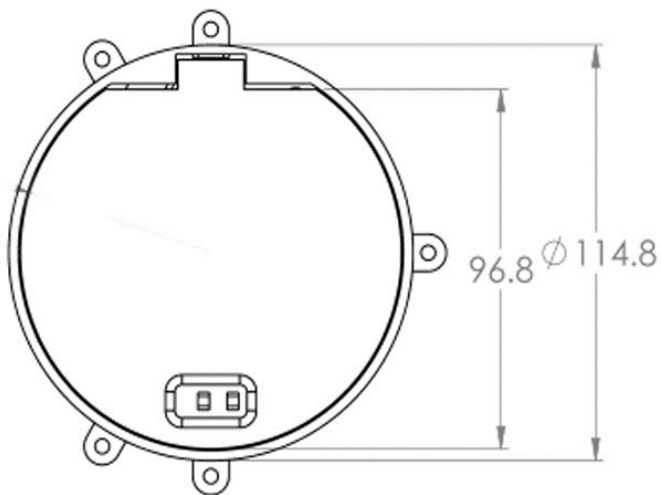
Floorbox Application

Type: Butted Edge IP65 rated Floorbox

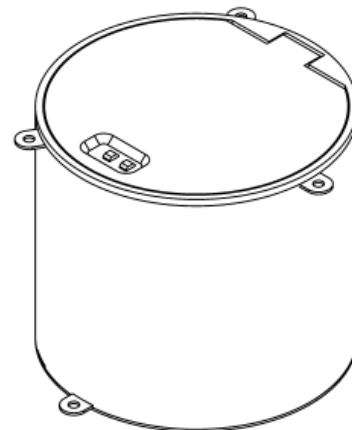
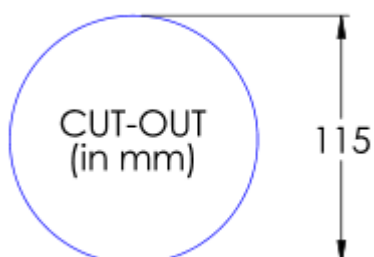
Part No: GESRM2-BE



Side view



top view



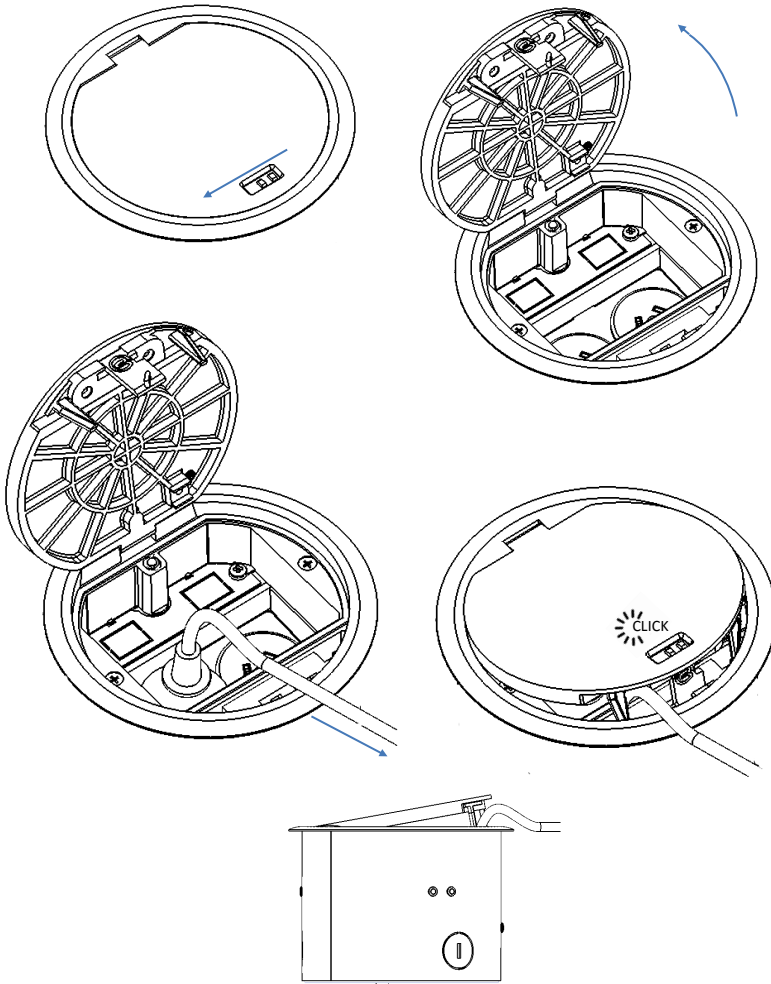
STEP 1: CREATE CUT OUT IN FLOOR
SUIT SPECIFIC BOX

STEP 2: POSITION BOX INTO CUTOUT

STEP 3:

FOR MORE INFORMATION GO TO:
www.cmselectra.com

GESRM2/4 Lid Operation



To Open Lid

Hold latch to left position and lift lid upwards

Cable Exit Configuration

Plug cables into respective outlets directing the cables to the exit.

With latch in neutral position, push lid down until the latch clicks into right position.

Lid is secured into the cable exit configuration.

To release from this configuration hold latch to left and lift upwards.

To Close Lid

Remove all plugs and cables.

Hold latch to left position and shut lid completely.

When lid is shut, shift latch to the right to secure.